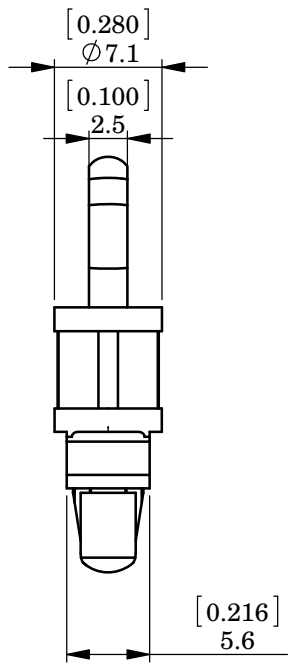
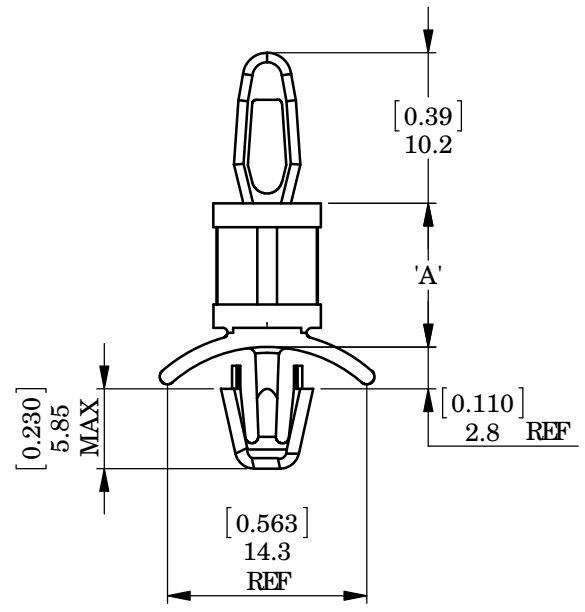


REV.	MODIFICATION.	DATE	DRN
01	CO2011120	22/03/11	SF

TOP FIX: TO SNAP-FITA $\phi 4[0.157] \pm 0.08[0.003]$
HOLE IN A 1.6[0.063] PANEL



BOTTOM FIX: TO SNAP-LOCKA
 $\phi 4.8[0.189] \pm 0.08[0.003]$ HOLE
IN A 0.76 - 2 [0.03 - 0.079] PANEL

PARTNUMBER		'A' $\pm 0.4[.015]$
NYLON 6/6 UL94-V2(RMS-01)	NYLON 6/6 UL94-V0(RMS-19)	
COLOUR: NATURAL	COLOUR: NATURAL	
LCBS-4-3-01	LCBS-4-3-19	4.8[.189]
LCBS-4-4-01	LCBS-4-4-19	6.4[.252]
LCBS-4-5-01	LCBS-4-5-19	7.9[.311]
LCBS-4-6-01	LCBS-4-6-19	9.5[.374]
LCBS-4-7-01	LCBS-4-7-19	11.1[.437]
LCBS-4-8-01	LCBS-4-8-19	12.7[.500]
LCBS-4-10-01	LCBS-4-10-19	15.9[.626]
LCBS-4-12-01	LCBS-4-12-19	19.1[.752]
LCBS-4-14-01	LCBS-4-14-19	22.2[.874]
LCBS-4-16-01	LCBS-4-16-19	25.4[1.00]
LCBS-4-18-01	LCBS-4-18-19	28.6[1.126]
LCBS-4-20-01	LCBS-4-20-19	31.8[1.252]
LCBS-4-22-01	LCBS-4-22-19	34.9[1.374]
OTHER COLOURS AVAILABLE BY SPECIAL ORDER		

ALTERNATE UNITS FOR REFERENCE ONLY

INFORMATION CONTAINED IN THIS DOCUMENT IS CONFIDENTIAL TO RICHCO INTERNATIONAL Co. Ltd. AND MAY NOT BE DISCLOSED OR REPRODUCED IN WHOLE OR PART WITHOUT THEIR WRITTEN CONSENT

RICHCO, INC. WWW.RICHCO-INC.COM	ALL DIMENSIONS IN mm [inches] GENERAL TOLERANCES ± 0.25 UNLESS OTHERWISE STATED 1 DECIMAL PLACE \pm 2 DECIMAL PLACES \pm ANGULAR $\pm 1^\circ$	THIRD ANGLE
---	---	-----------------

MATERIAL: See table	COLOUR: See table
------------------------	----------------------

DESCRIPTION: LOCKING CIRCUIT BOARD SUPPORT	PART No: See Table
--	-----------------------

DRG No: 100-0404	NPR No:	SHEET SIZE A4
---------------------	---------	------------------

DRN SF	DATE 22/03/11	CHKD TC	DATE 22/03/11	SCALE NTS	SHEET No. 1 OF 1
-----------	------------------	------------	------------------	--------------	---------------------