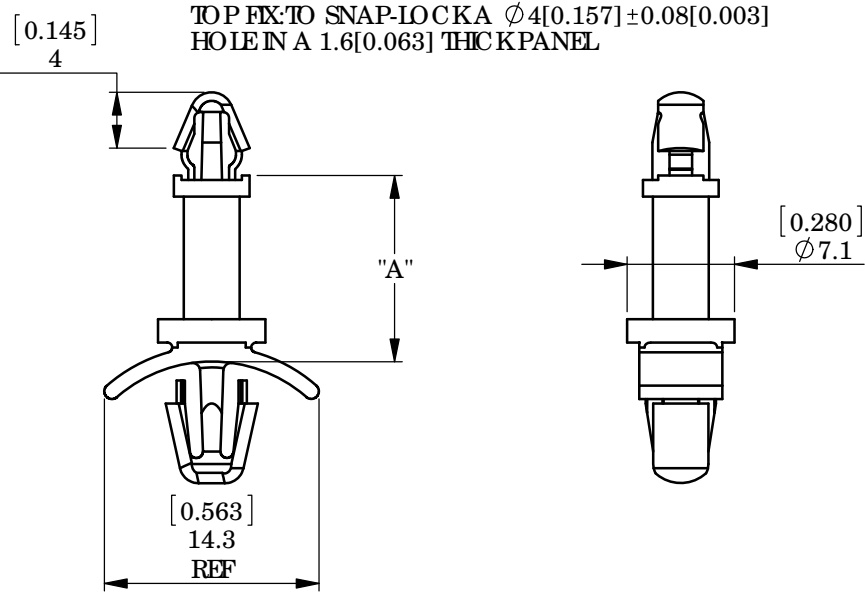


REV.	MODIFICATION.	DATE	DRN
05	CO2011093	24/02/11	SF
06	CO2011219	07/12/11	SF



TOP FIX: TO SNAP-LOCK KA  $\phi 4[0.157] \pm 0.08[0.003]$   
 HOLE IN A 1.6[0.063] THICK PANEL

BOTTOM FIX: TO SNAP-LOCK KA  $\phi 4.75[0.187] \pm 0.08[0.003]$   
 HOLE IN A 0.8-2.0 [0.031-0.079] THICK PANEL

PARTNUMBER		DIM "A"
NYLON 6/6 UL94-V2(RMS-01) COLOUR: NATURAL	NYLON 6/6 UL94-V0(RMS-19) COLOUR: NATURAL	
LCBS-7-3-01	LCBS-7-3-19	4.8[.189]
LCBS-7-4-01	LCBS-7-4-19	6.4[.252]
LCBS-7-5-01	LCBS-7-5-19	7.9[.311]
LCBS-7-6-01	LCBS-7-6-19	9.5[.374]
LCBS-7-7-01	LCBS-7-7-19	11.1[.437]
LCBS-7-8-01	LCBS-7-8-19	12.7[.500]
LCBS-7-10-01	LCBS-7-10-19	15.9[.626]
LCBS-7-12-01	LCBS-7-12-19	19.1[.752]
LCBS-7-14-01	LCBS-7-14-19	22.2[.874]
LCBS-7-16-01	LCBS-7-16-19	25.4[1.00]
LCBS-7-18-01	LCBS-7-18-19	28.6[1.126]
LCBS-7-20-01	LCBS-7-20-19	31.8[1.252]
LCBS-7-22-01	LCBS-7-22-19	34.9[1.374]
BLACK AVAILABLE BY SPECIAL ORDER ADD -BK TO END OF PARTNUMBER		

ALTERNATE UNITS FOR REFERENCE ONLY

INFORMATION CONTAINED IN THIS DOCUMENT IS CONFIDENTIAL TO RICHCO INTERNATIONAL Co. Ltd. AND MAY NOT BE DISCLOSED OR REPRODUCED IN WHOLE OR PART WITHOUT THEIR WRITTEN CONSENT

**RICHCO, INC.**  
 WWW.RICHCO-INC.COM

ALL DIMENSIONS IN mm [inches]  
 GENERAL TOLERANCES  $\pm 0.25$   
 UNLESS OTHERWISE STATED  
 1 DECIMAL PLACE  $\pm$   
 2 DECIMAL PLACES  $\pm$   
 ANGULAR  $\pm 1^\circ$

THIRD ANGLE

MATERIAL: SEE TABLE  
 COLOUR: SEE TABLE

DESCRIPTION: LOCKING CIRCUIT BOARD SUPPORT  
 PART No: SEE TABLE

DRG No: 100-0701  
 NPR No: N/A  
 SHEET SIZE A4

DRN SF  
 DATE 23/02/11  
 CHKD JK  
 DATE 24/02/11  
 SCALE NTS  
 SHEET No. 1 OF 1