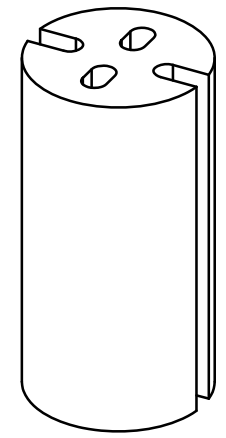
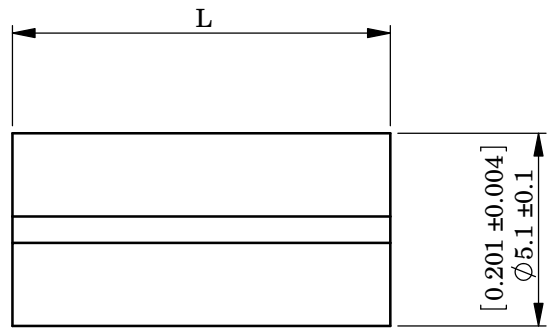
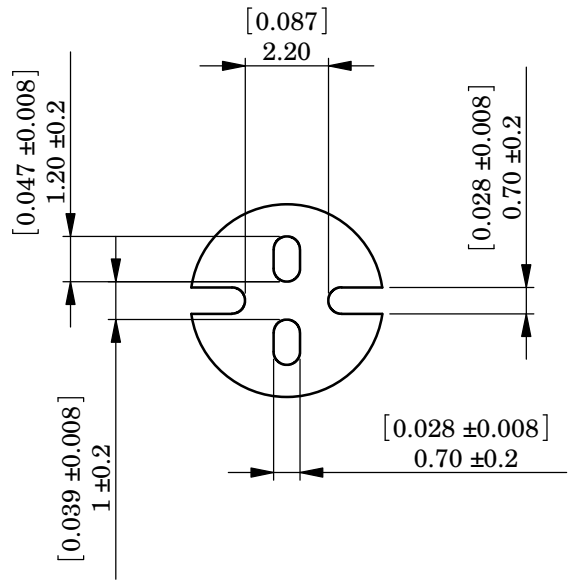


REV.	MODIFICATION.	DATE	DRN
01	NEW DWG	25/05/01	JPM
02	SCN04-093	23/09/04	OW
03	SCN04-096	01/10/04	OW
04	SCN04-100	14/10/04	OW
05	ECN05-021	26/01/05	OW
06	ECR05-096	31/08/05	OW
07	CO2010663	01/06/09	TC
08	CO2011025	26/11/10	LPB
09	CO2011241	06/02/12	SF



INFORMATION CONTAINED IN THIS DOCUMENT IS CONFIDENTIAL TO RICHCO INTERNATIONAL Co. Ltd. AND MAY NOT BE DISCLOSED OR REPRODUCED IN WHOLE OR PART WITHOUT THEIR WRITTEN CONSENT

**RICHCO, INC.**  
WWW.RICHCO-INC.COM

ALL DIMENSIONS IN mm  
GENERAL TOLERANCES ±0.25  
UNLESS OTHERWISE STATED  
1 DECIMAL PLACE ±0.25  
2 DECIMAL PLACES ±0.10  
ANGULAR ±1°

- NOTES:**
- FOR USE WITH 5mm, T-1 3/4 LED
  - PART AVAILABLE IN 1 MILLIMETRE INCREMENTS FROM 2 TO 30
  - ALTERNATE DIMENSIONS FOR REFERENCE ONLY

MATERIAL:	PVC (RMS-388)	COLOUR:	BLACK
TITLE:	LED MOUNTS	PART No.:	LEDM-1-XX

PART No.	LENGTH
LEDM-1-02 - LEDM-1-30	2.0 [0.078] - 30 [1.181]

DRG No:	786-9022	NPR REF:	N/A		SIZE	A4					
DRN	OW	DATE	14/10/04		CHKD	NJB	DATE	14/10/04	SCALE	NTS	SHEET No