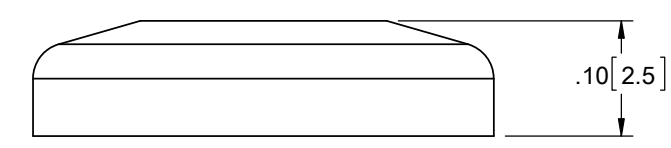
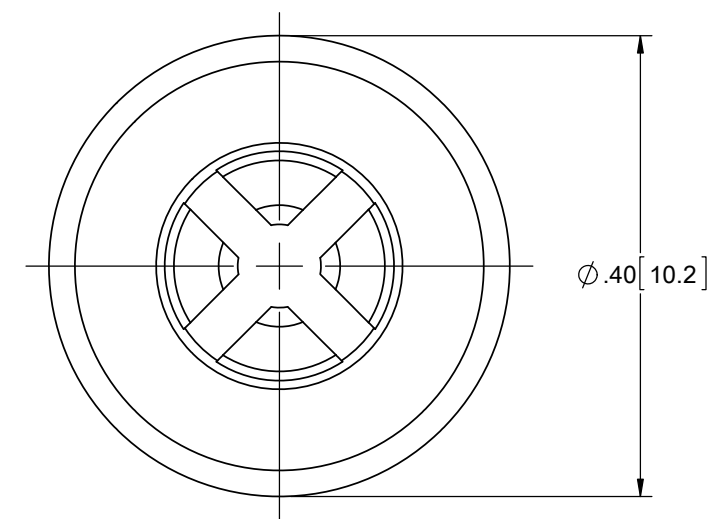
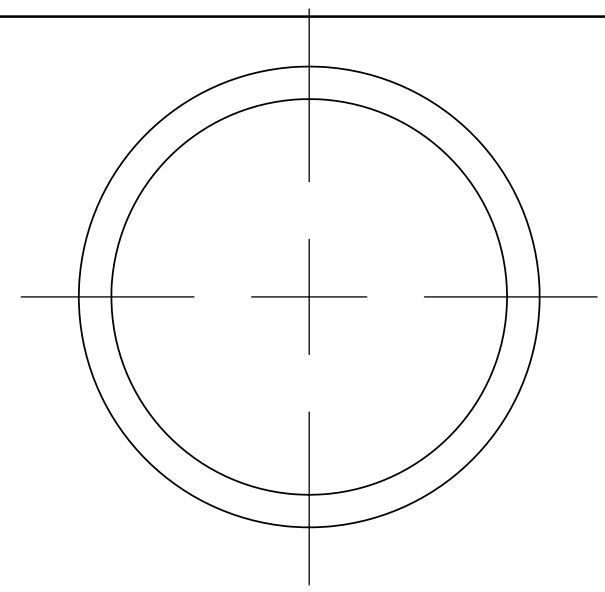
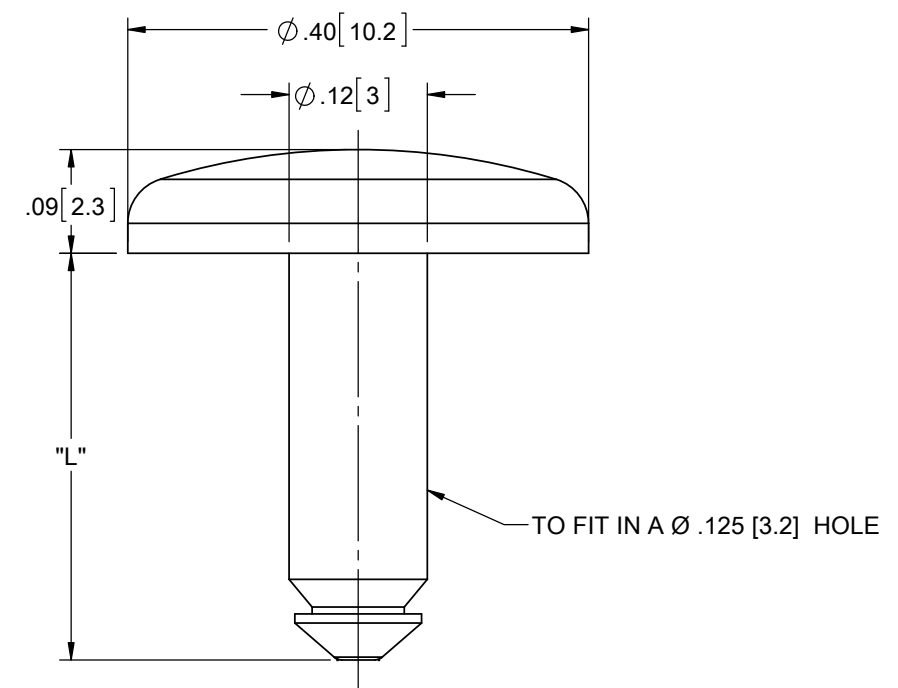


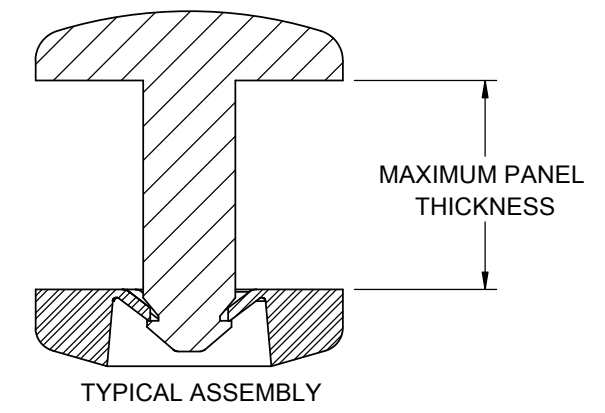
PART NO.	"L"	MAXIMUM PANEL THICKNESS
MBRP1-030-01	.133 [3.4]	.030 [0.8]
MBRP1-062-01	.165 [4.2]	.062 [1.6]
MBRP1-100-01	.203 [5.2]	.100 [2.5]
MBRP1-125-01	.228 [5.8]	.125 [3.2]
MBRP1-187-01	.290 [7.4]	.187 [3.2]
MBRP1-250-01	.353 [9]	.250 [6.4]
MBRR1-01	SEE DRAWING	



MBRR1-01



MBRP1-XXX-01 (SEE TABLE)



NOTES:
 1. MATERIAL: NYLON 6/6 UL94 V-2 (RMS-01)
 2. COLOR: NATURAL

REV.	DESCRIPTION	ENGR.	DATE
C	REDRAWN, SEE CO 200766	SK	03/21/2012
-	SEE ENGINEERING FOR REV A TO B	--	----

TITLE: MINI BARBED RIVET				UNITS: IN [mm]	
CREATED USING SOLIDWORKS	FILE #: MBR	DWN: SK	APP: MB	FINAL	
TOLERANCES UNLESS NOTED .XX=±.010 .XXX=±.005 FRAC.=±1/64 ANG.=±1°	SHEET: 1 OF 1	SHEET SIZE: B	DT: 03/20/2012	CHKD: DZ	PART #
RE: RICHCO, INC.		RICHCO, INC. WWW.RICHCO-INC.COM		SEE DRAWING	
					PRINT TYPE CA