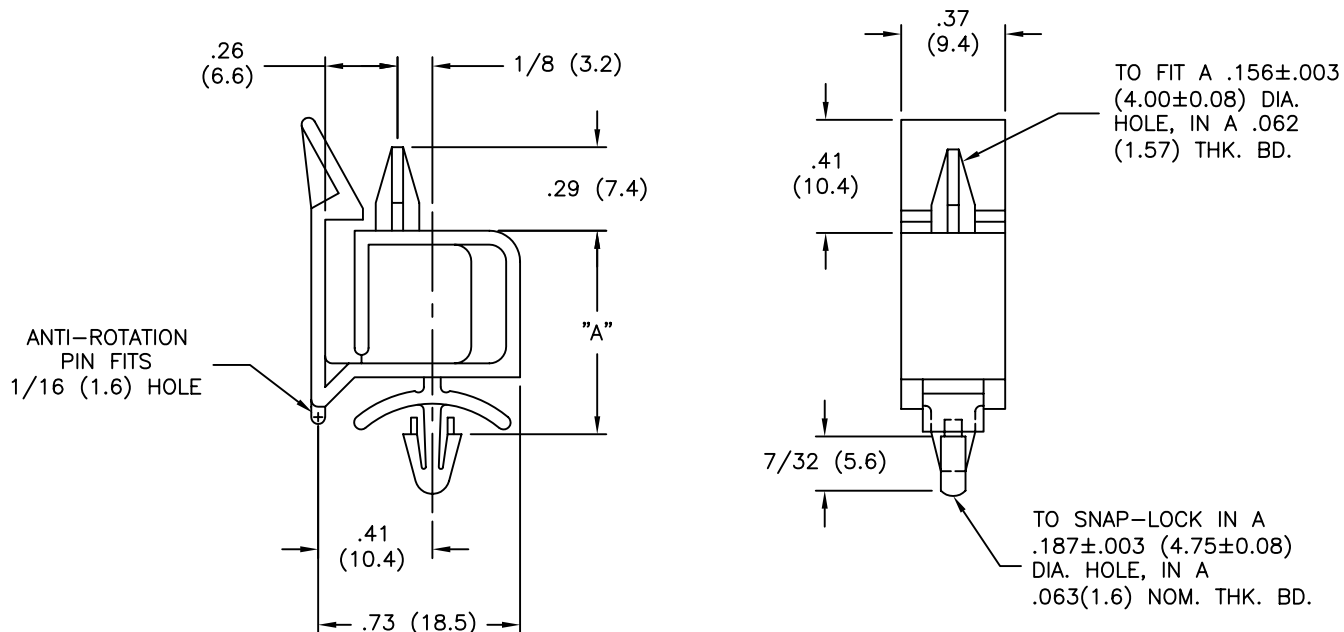


AVAILABLE BY SPECIAL ORDER ONLY

PART NO.	"A"
PCBEH-7-01	.47 (11.9)
PCBEH-10-01	.66 (16.8)
PCBEH-14-01	.91 (23.1)



NOTES:

- MATERIAL: NYLON 6/6 (RMS-01),
FLAME RETARDANT NYLON (RMS-19),
AVAILABLE BY SPECIAL ORDER ONLY.
- COLOR: NATURAL

TITLE: PCB EDGE HOLDER			DWG IN IN (MM)		FINAL		
TOLERANCES UNLESS NOTED .XX=±.010 .XXX=±.005 FRAC=±1/64 ANG=±1°			FILE # PCBEH	DWN: P.B.	APP:	PART # SEE TABLE	PRINT TYPE CA
C CHANGED FILE NUMBER SM 05.01.01			MAT'L: SEE NOTES	DT: 05-25-95	DT:		
B MAT'L RMS-19 ADDED J.L. 12.10.97			RE: RICHCO, INC.	RICHCO INC. PO BOX 804238, CHICAGO, 60680 (773) 539-4060			
A CONVERTED TO ACAD PB 05.25.95							
REV DESCRIPTION ENGR DATE							