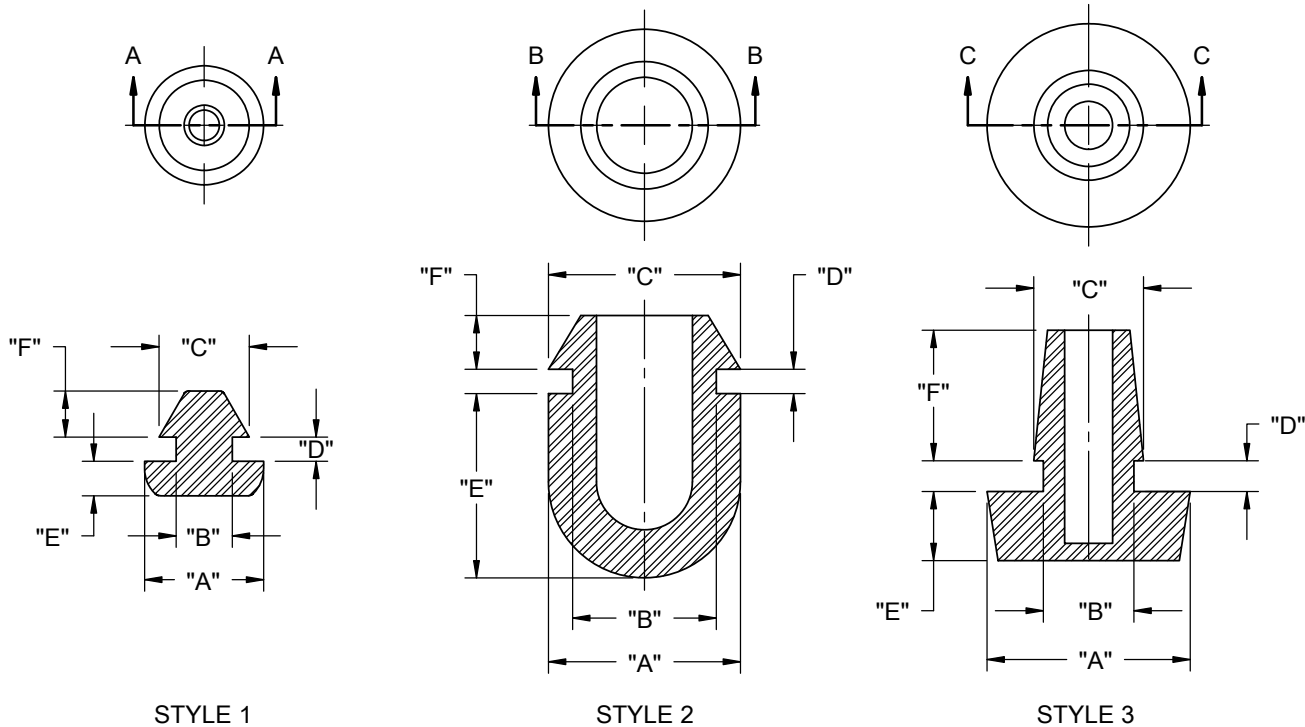


PART NO.	RECOMMENDED MOUNTING HOLE	RECOMMENDED PANEL THICKNESS	"A" DIA.	"B" DIA.	"C" DIA.	"D"	"E"	"F" REF	STYLE NO.
POF-40022	.146-.150 [3.7-3.8]	.126 [3.2]	.31 [7.9]	.126 [3.2]	.17 [4.4]	.13 [3.3]	.06 [1.6]	.13 [3.3]	1
POF-40048	.177-.181 [4.5-4.6]	.059 [1.5]	.31 [7.9]	.146 [3.7]	.24 [6.1]	.06 [1.6]	.09 [2.3]	.12 [3]	1
POF-40059	.374-.378 [9.5-9.6]		.50 [12.7]	.374 [9.5]	.50 [12.7]				
POF-50185	.236-.240 [6-6.1]	.075 [1.9]	.53 [13.4]	.236 [6]	.29 [7.3]	.08 [2]	.18 [4.6]	.34 [8.6]	3
POF-12664	.276-.280 [7-7.1]	.047 [1.2]	.62 [15.7]	.276 [7]	.34 [8.6]	.05 [1.3]	.20 [5.1]	.16 [4.1]	3



NOTES:
 1. MATERIAL: THERMOPLASTIC ELASTOMER, UL 94 HB (RMS-262)
 2. COLOR: BLACK

REV.			TITLE:			UNITS=		FINAL	
K	CORRECTED POF-40022 DIMENSIONS, CO#200657	SK 04/14/11	PUSH ON FEET			INCH [mm]		PR	
J	SEE CO #200182 FOR CHANGES	SK 05/15/08	CREATED USING SOLIDWORKS	FILE #: POF	DWN: SK	APP: R.T.	PART #		
I	SEE CO #200012 FOR CHANGES	SK 09/14/07	TOLERANCES UNLESS NOTED	SHEET: 1 OF 1	SHEET SIZE: A	DT: 11/06/06	CHKD: S.J.	PRINT TYPE	
-	SEE ENGINEERING FOR REV A-H	---	.XX=±.010	RE: RICHCO, INC.		RICHCO, INC.		SEE TABLE	
REV.	DESCRIPTION	ENGR. DATE	.XXX=±.005	RICHCO, INC.		ENG@RICHCO-INC.COM			CA
			FRAC.=±1/64	RICHCO, INC.		(773) 539-4060			
			ANG.=±1°						