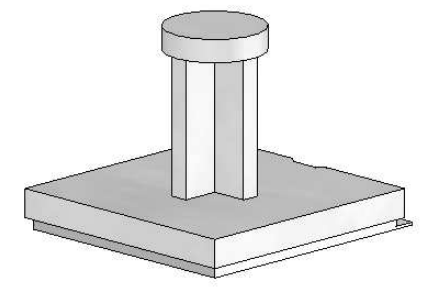
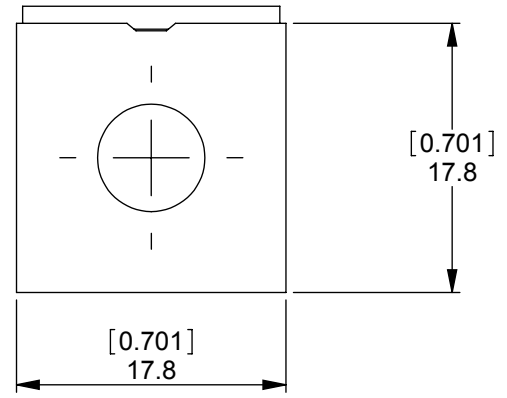
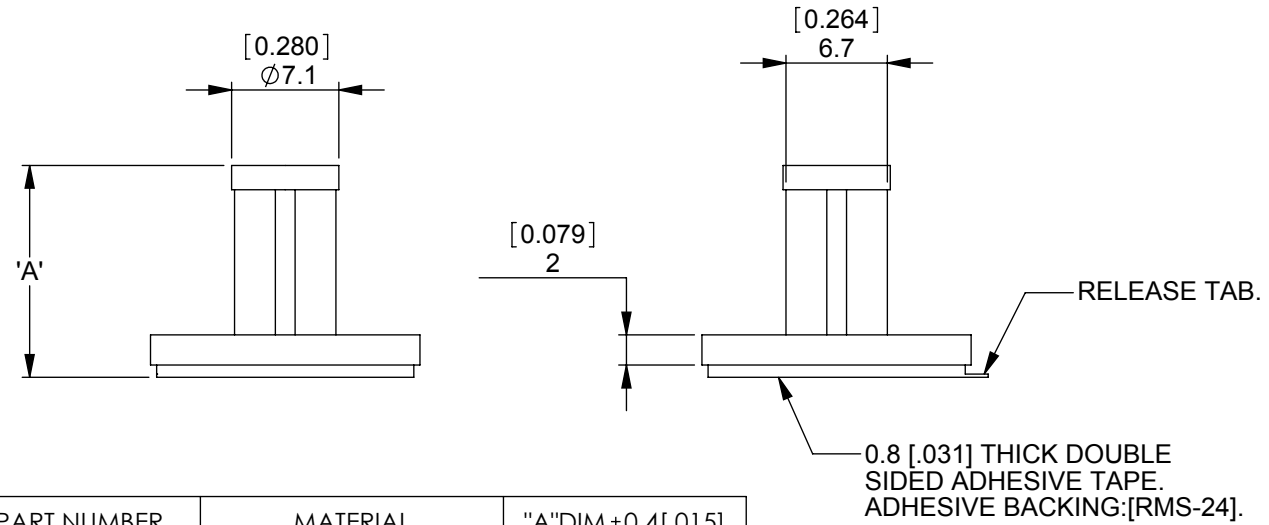


REV.	MODIFICATION.	DATE	DRN
01	PRODUCTION RELEASE	28/09/07	SF
02	CO2010267	07/07/08	SF



NOTES
 1a) METRIC PRIMARY UNITS:mm
 1b) IMPERIAL SECONDARY UNITS: [inches]
 2) THE COLOUR OF THE ADHESIVE LINER MAY VARY. THIS WILL NOT AFFECT THE TECHNICAL PROPERTIES OF THE PART.



PART NUMBER	MATERIAL	"A" DIM ±0.4 [0.15]
PSB-6M-01A2-RT	NYLON 6/6 (RMS-01)	6[.236]
PSB-6M-19A2-RT	NYLON 6/6 FR (RMS-19)	6[.236]
PSB-8M-01A2-RT	NYLON 6/6 (RMS-01)	8[.314]
PSB-8M-19A2-RT	NYLON 6/6 FR (RMS-19)	8[.314]
PSB-10M-01A2-RT	NYLON 6/6 (RMS-01)	10[.393]
PSB-10M-19A2-RT	NYLON 6/6 FR (RMS-19)	10[.393]
PSB-12M-01A2-RT	NYLON 6/6 (RMS-01)	12[.472]
PSB-12M-19A2-RT	NYLON 6/6 FR (RMS-19)	12[.472]
PSB-14M-01A2-RT	NYLON 6/6 (RMS-01)	14[.551]
PSB-14M-19A2-RT	NYLON 6/6 FR (RMS-19)	14[.551]
PSB-16M-01A2-RT	NYLON 6/6 (RMS-01)	16[.629]
PSB-16M-19A2-RT	NYLON 6/6 FR (RMS-19)	16[.629]

INFORMATION CONTAINED IN THIS DOCUMENT IS CONFIDENTIAL TO RICHCO INTERNATIONAL Co. Ltd. AND MAY NOT BE DISCLOSED OR REPRODUCED IN WHOLE OR PART WITHOUT THEIR WRITTEN CONSENT.

Richco
 GENERAL TOLERANCES ±0.25 [0.010] UNLESS OTHERWISE STATED
 1 DECIMAL PLACE ±
 2 DECIMAL PLACES ±
 ANGULAR ±1°

THIRD ANGLE

MATERIAL: SEE NOTE 2
 COLOUR: NATURAL

DESCRIPTION: SPACER SUPPORT ON ADHESIVE BASE
 PART No: SEE TABLE

DRG No: 07-022
 NPR No: 2007-031
 SHEET SIZE A4

DRN NJB
 DATE 08/03/07
 CHKD TC
 DATE 08/03/07
 SCALE NTS
 SHEET No. 1 OF 1