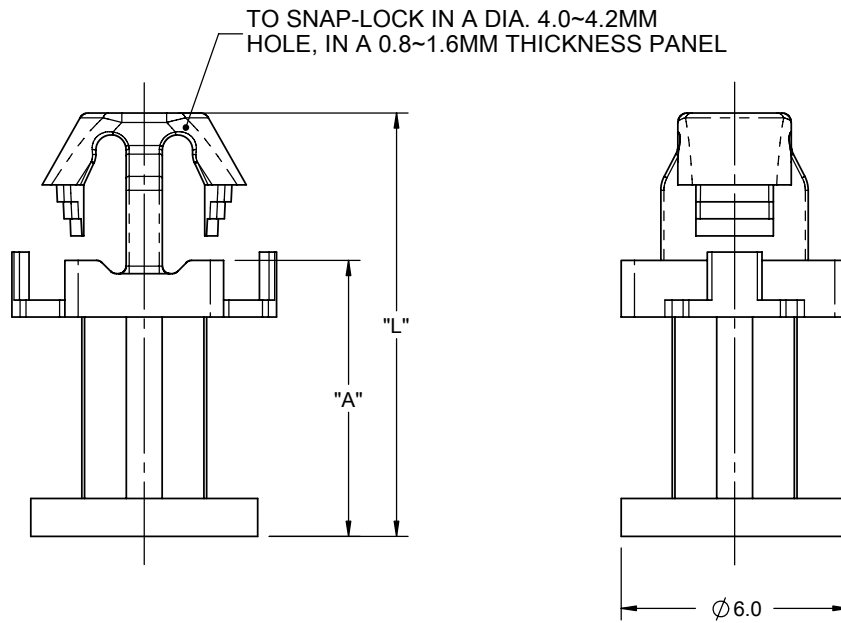


MATERIAL: NYLON 66 UL94 V-2 (RMS-01) COLOR: NATRUAL PART NO.	MATERIAL: NYLON 66 UL94 V-0 (RMS-19) COLOR: NATURAL PART NO.	"A"	"L"
PSE-3M-01	PSE-3M-19	3.0	6.9
PSE-4M-01	PSE-4M-19	4.0	7.9
PSE-5M-01	PSE-5M-19	5.0	8.9
PSE-6M-01	PSE-6M-19	6.0	9.9
PSE-7M-01	PSE-7M-19	7.0	10.9
PSE-7.3M-01	PSE-7.3M-19	7.3	11.2
PSE-8M-01	PSE-8M-19	8.0	11.9



DIMENSIONS	TOLERANCE
$DIM \leq 6.0$	± 0.2
$6.0 < DIM \leq 18.0$	± 0.3
$18 < DIM \leq 30$	± 0.4
$30 < DIM \leq 50$	± 0.5
$50 < DIM \leq 80$	± 0.6
$80 < DIM \leq 120$	± 0.8
$DIM > 120$	TBD

01	SEE CO220111 FOR CHANGES	J.T 07.06.12
A-B	SEE VERSION A-B	J.T 07.06.12
R E V	DESCRIPTION	ENGR. DATE

TITLE: CARD SPACER					DWG IN MM	
CREATED USING SOLIDWORKS	FILE #: PSE	DWN: J.T	APP: J.T	FINAL		
TOLERANCES UNLESS NOTED	SHEET: 1 OF 1	SHEET SIZE: A	DT: 07.06.12	CHKD: A.F	PART #	PRINT TYPE
DIM ±: SEE TABLE ANG. = ±1°	RE: RICHCO	RICHCO WWW.RICHCO-INC.COM (+86) 592-6884500		SEE TABLE	CA	