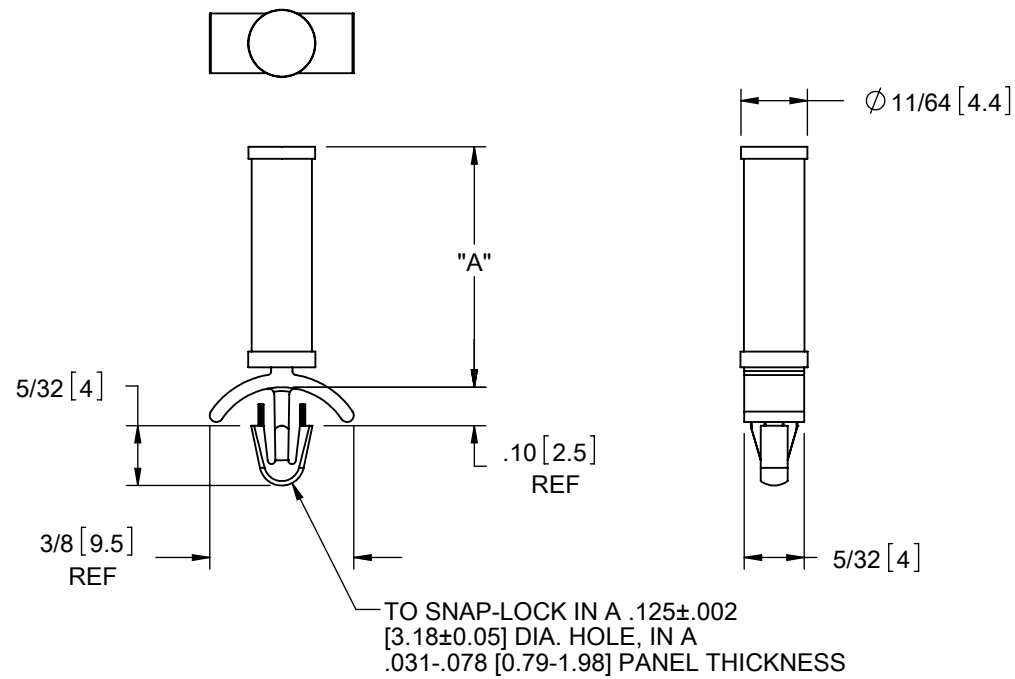


MATERIAL: NYLON 6/6 UL 94 V-2 (RMS-01) COLOR: NATURAL PART NO.	DIM. "A" ±.015 [0.4]
PSM-2-01	1/8 [3.2]
PSM-3-01	3/16 [4.8]
PSM-4-01	1/4 [6.4]
PSM-5-01	5/16 [7.9]
PSM-6-01	3/8 [9.5]
PSM-7-01	7/16 [11.1]
PSM-8-01	1/2 [12.7]
PSM-9-01	9/16 [14.3]
PSM-10-01	5/8 [15.9]



- NOTES:
1. MATERIAL: NYLON 6/6 UL 94 V-0 (RMS-19)
COLOR: NATURAL.
AVAILABLE BY SPECIAL ORDER ONLY.
 2. OTHER COLORS AVAILABLE BY SPECIAL ORDER.
 3. ALTERNATE UNITS FOR REFERENCE ONLY.

E SEE ECN #1345 FOR CHANGES SK 07/23/07			D REDRAWN. SEE ECN #1208 FOR CHANGES SK 11/29/06			- SEE ENGINEERING FOR REVISIONS A-C ---			REV. DESCRIPTION ENGR. DATE			TITLE: PUSH SPACER, MINI CREATED USING SOLIDWORKS FILE #: PSM DWN: SK APP: RT SHEET: 1 OF 1 SHEET SIZE: A DT: 11/29/06 CHKD: SJ RE: RICHCO, INC. RICHCO, INC. ENG@RICHCO-INC.COM (773) 539-4060				DWG IN IN [MM] FINAL PART # SEE TABLE PRINT TYPE CA	
TOLERANCES UNLESS NOTED .XX=±.010 .XXX=±.005 FRAC.=±1/64 ANG.=±1°																	