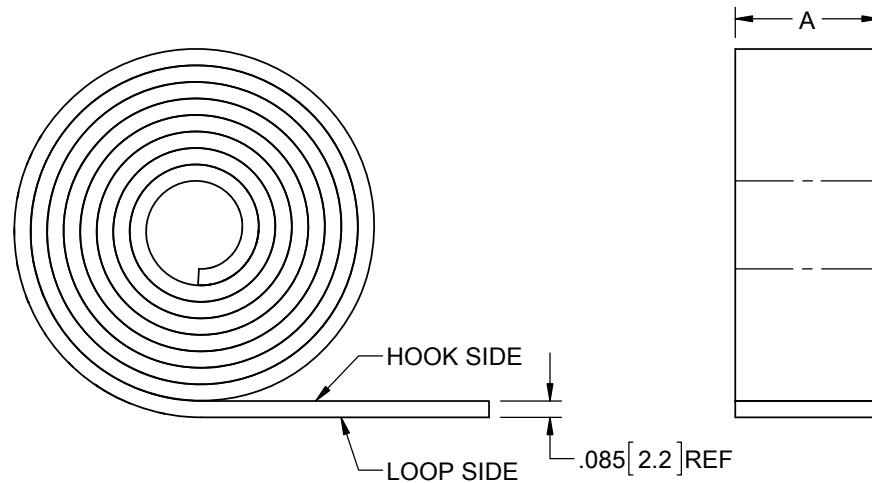


VELCRO® BRAND HOOK & LOOP MATERIAL									ROLL LENGTH REF	"A"
LOW DENSITY POLYETHYLENE HOOK & NYLON KNIT LOOP								UL94 V-2 PP HOOK & NYLON KNIT LOOP		
BLACK	BLUE	GREEN	GREY	ORANGE	RED	WHITE	YELLOW	BLACK/MAROON		
RKWR-3-BK	RKWR-3-BL	RKWR-3-GN	RKWR-3-GY	RKWR-3-OR	RKWR-3-RD	RKWR-3-W	RKWR-3-YL	RKWRPR-3	5 Yards [4.57m]	.50 [12.7]
RKWR-1-BK	RKWR-1-BL	RKWR-1-GN	RKWR-1-GY	RKWR-1-OR	RKWR-1-RD	RKWR-1-W	RKWR-1-YL	RKWRPR-1		.75 [19.1]
RKWR-2-BK	RKWR-2-BL	RKWR-2-GN	RKWR-2-GY	RKWR-2-OR	RKWR-2-RD	RKWR-2-W	RKWR-2-YL	RKWRPR-2		1.0 [25.4]
RKWR-3L-BK	RKWR-3L-BL	RKWR-3L-GN	RKWR-3L-GY	RKWR-3L-OR	RKWR-3L-RD	RKWR-3L-W	RKWR-3L-YL	RKWRPR-3L	25 Yards [22.9m]	.50 [12.7]
RKWR-1L-BK	RKWR-1L-BL	RKWR-1L-GN	RKWR-1L-GY	RKWR-1L-OR	RKWR-1L-RD	RKWR-1L-W	RKWR-1L-YL	RKWRPR-1L		.75 [19.1]
RKWR-2L-BK	RKWR-2L-BL	RKWR-2L-GN	RKWR-2L-GY	RKWR-2L-OR	RKWR-2L-RD	RKWR-2L-W	RKWR-2L-YL	RKWRPR-2L		1.0 [25.4]



REV.			TITLE: HOOK & LOOP ROLL				UNITS: INCH[mm]		FINAL	
D	ADDED 25 YRD LENGTH & .5" WIDTH, ECN#1375	D.Z. 04.09.2013	CREATED USING SOLIDWORKS	FILE #: RKWR	DWN: D.Z.	APP: D.Z.				
C	SEE CO 200601 FOR CHANGES	S.K. 11.30.2010	TOLERANCES UNLESS NOTED	SHEET: 1 OF 1	SHEET SIZE: A	DT: 04.10.2013	CHKD: -	PART #	PRINT TYPE	
B	SEE ECN # 1263 FOR CHANGES	S.K. 12.12.2006	.XX=±.010	RE: RICHCO INC		RICHCO, INC.		SEE TABLE	CA	
A	CHANGED FILE NO.	S.M. 06.27.2001	.XXX=±.005	--		WWW.RICHCO-INC.COM				
	DESCRIPTION	ENGR. DATE	FRAC.=±1/64							
			ANG.=±1°							