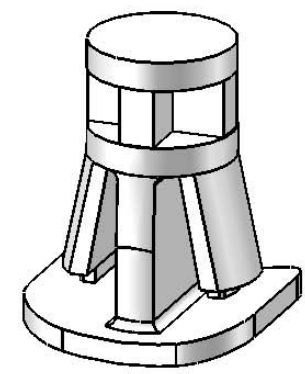
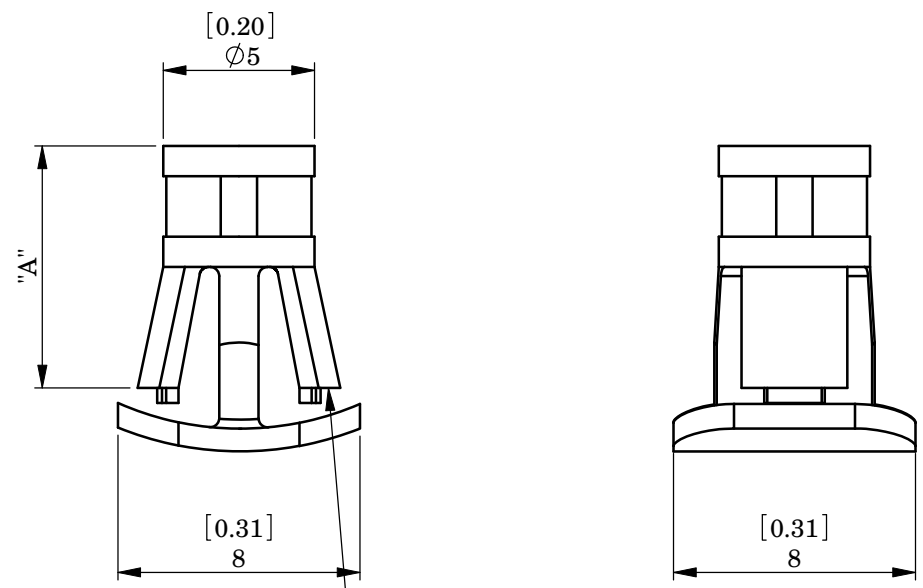


REV.	MODIFICATION.	DATE	DRN
A 01	Preliminary Drawing Production Release	09/09/08 15/09/08	MT MT



TO FIT IN A  $\varnothing$  5.5mm [0.22] HOLE,  
0.5mm [0.02]-1.0mm [0.04] THICK PANEL

MATL: NYLON 6/6 RMS-01* COLOUR: NATURAL	"A" STANDOFF HEIGHT
RLC BSB-5-01	5 [0.20]
RLC BSB-6-01	6 [0.24]
RLC BSB-8-01	8 [0.31]
RLC BSB-10-01	10 [0.39]
RLC BSB-12-01	12 [0.47]
RLC BSB-14-01	14 [0.55]
*AVAILABLE IN UL94 V0 BY SPECIAL ORDER TO ORDER REPLACE-01 WITH -19.	

*INFORMATION CONTAINED IN THIS DOCUMENT IS CONFIDENTIAL TO RICHCO INTERNATIONAL Co. Ltd. AND MAY NOT BE DISCLOSED OR REPRODUCED IN WHOLE OR PART WITHOUT THEIR WRITTEN CONSENT*

	METRIC PRIMARY UNITS: mm IMPERIAL SECONDARY UNITS: (inches) GENERAL TOLERANCES: $\pm 0.25$ [0.010] UNLESS OTHERWISE STATED 1 DECIMAL PLACE $\pm$ 2 DECIMAL PLACES $\pm$ ANGULAR $\pm 1^\circ$	THIRD ANGLE 
	MATERIAL: <b>NYLON 6/6 (RMS-01)</b>	COLOUR: <b>NATURAL</b>
DESCRIPTION: REVERSE LOCKING CIRCUIT BOARD SUPPORT		PART No: <b>SEE TABLE</b>
DRG No: <b>08-090</b>	NPR No: <b>GB08-0058</b>	Mass:(g) <b>0.2-0.4</b>
DRN <b>MT</b>	DATE <b>09/09/08</b>	CHKD <b>JK</b>
DATE <b>15/09/08</b>	SCALE <b>NTS</b>	SHEET No. <b>1 OF 1</b>