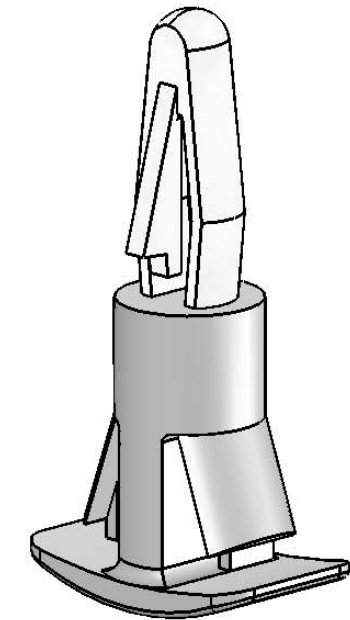
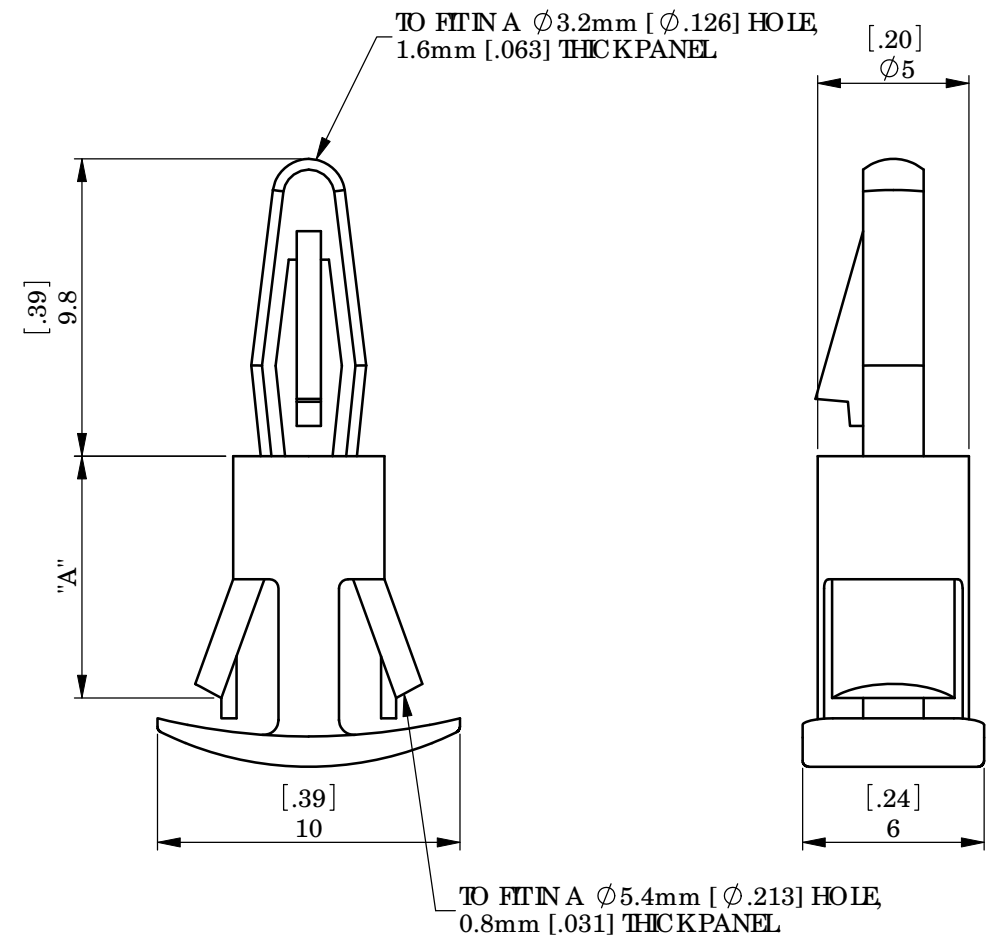


REV.	MODIFICATION.	DATE	DRN
01	Production Release	28/10/08	MT
02	CO-2010504	04/12/08	OW
03	CO-2010928	25/05/10	MT



ALTERNATE UNITS FOR REFERENCE ONLY

MATL: NYLON 6/6 RMS-01* COLOUR: NATURAL	"A" STANDOFF HEIGHT
RLC BSC -5-01	5 [.197]
RLC BSC -6-01	6 [.236]
RLC BSC -8-01	8 [.315]
RLC BSC -10-01	10 [.394]
RLC BSC -12-01	12 [.472]
RLC BSC -14-01	14 [.551]
*AVAILABLE IN UL94 V0 BY SPECIAL ORDER. TO ORDER REPLACE-01 WITH -19.	

INFORMATION CONTAINED IN THIS DOCUMENT IS CONFIDENTIAL TO RICHCO INTERNATIONAL Co. Ltd. AND MAY NOT BE DISCLOSED OR REPRODUCED IN WHOLE OR PART WITHOUT THEIR WRITTEN CONSENT

<b>RICHCO, INC.</b> WWW.RICHCO-INC.COM	ALL DIMENSIONS IN mm GENERAL TOLERANCES ±0.25 UNLESS OTHERWISE STATED 1 DECIMAL PLACE ±0.25 2 DECIMAL PLACES ±0.10 ANGULAR ±1°	THIRD ANGLE

MATERIAL: <b>NYLON 6/6 UL94-V2 (RMS-01)</b>	COLOUR: <b>NATURAL</b>
------------------------------------------------	---------------------------

DESCRIPTION: REVERSE LOCKING CIRCUIT BOARD SUPPORT	PART No: <b>SEE TABLE</b>
-------------------------------------------------------	------------------------------

DRG No: <b>08-107</b>	NPR No: <b>GB08-0058</b>	Mass:(g) <b>0.2-0.4</b>	SHEET SIZE <b>A4</b>
--------------------------	-----------------------------	----------------------------	-------------------------

DRN <b>MT</b>	DATE <b>09/09/08</b>	CHKD <b>JK</b>	DATE <b>15/09/08</b>	SCALE <b>NTS</b>	SHEET No. <b>1 OF 1</b>
------------------	-------------------------	-------------------	-------------------------	---------------------	----------------------------