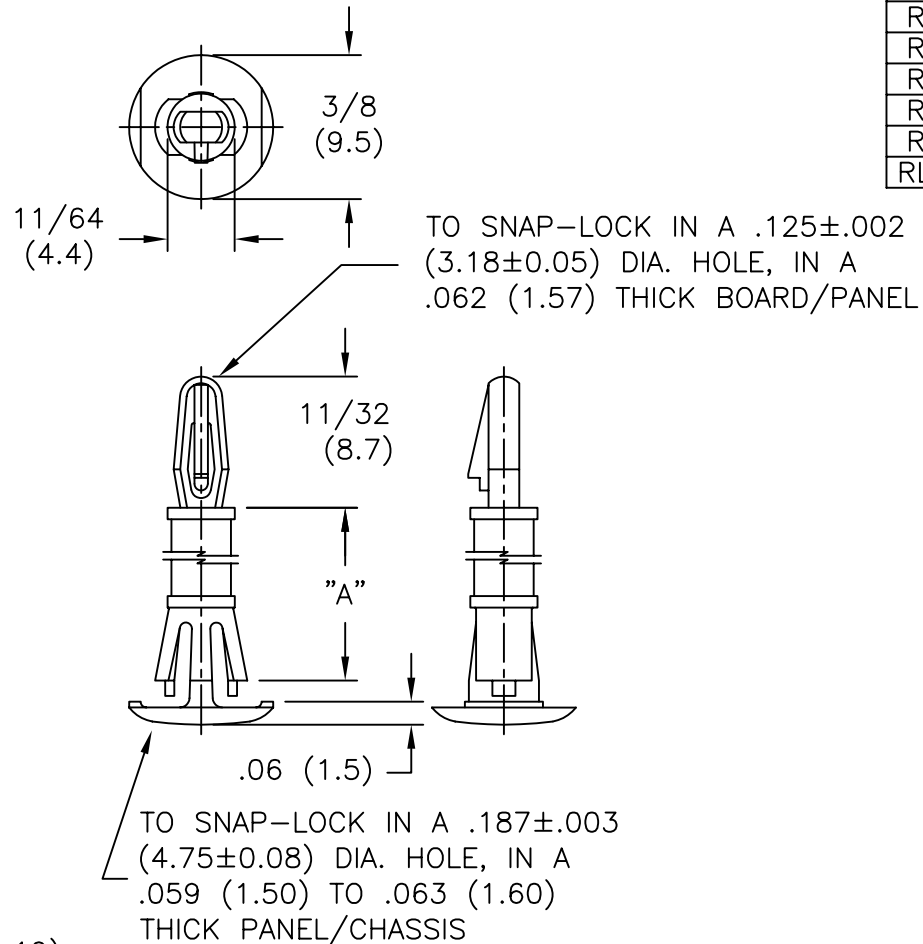


PART NO.	DIM. "A" ±.015(0.4)
RLCBSR-4-01	1/4 (6.4)
RLCBSR-5-01	5/16 (7.9)
RLCBSR-6-01	3/8 (9.5)
RLCBSR-7-01	7/16 (11.1)
RLCBSR-8-01	1/2 (12.7)
RLCBSR-9-01	9/16 (14.3)
RLCBSR-10-01	5/8 (15.9)



NOTES:

- MAT'L: NYLON 66 (RMS-01).
FLAME RETARDANT: NYLON (RMS-19),
BY SPECIAL ORDER.
- COLOR: NATURAL.

TITLE: REVERSE LOCKING CBS, ROUND HOLE					DWG IN IN (MM)	
TOLERANCES UNLESS NOTED .XX=±.010 .XXX=±.005 FRAC=1/64 ANG=1°			FILE # RLCBSR	DWN: P.B.	APP:	FINAL
C CHANGED FILE NO. AND TITLE BLOCK SM 05.01.01			MAT'L: SEE NOTES	DT: 07-12-94	DT:	PART #
B MAT'L RMS-19 ADDED J.L. 12.5.97			RE: RICHCO, INC.	RICHCO INC. PO BOX 804238, CHICAGO, 60680 (773) 539-4060		SEE TABLE
A CONVERTED TO ACAD PB 07.12.94						PRINT TYPE
REV DESCRIPTION ENGR DATE						CA