

FIG 1.
SLP100 SERIES

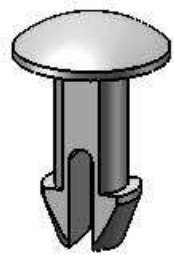
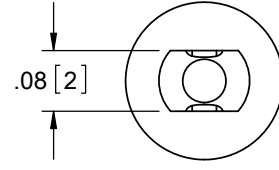
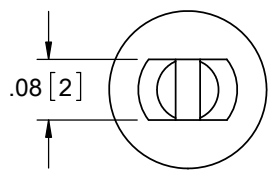
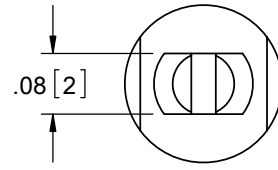
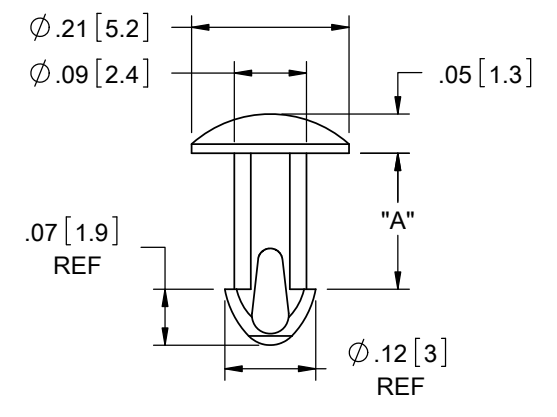
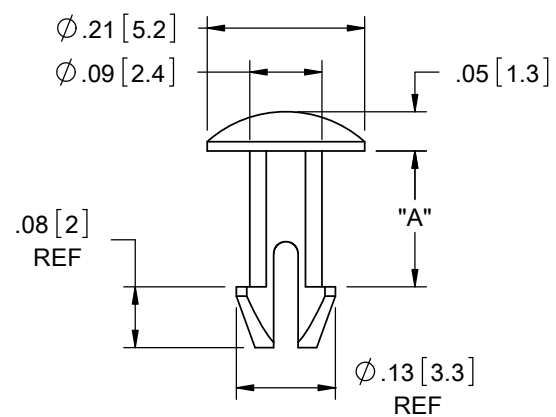
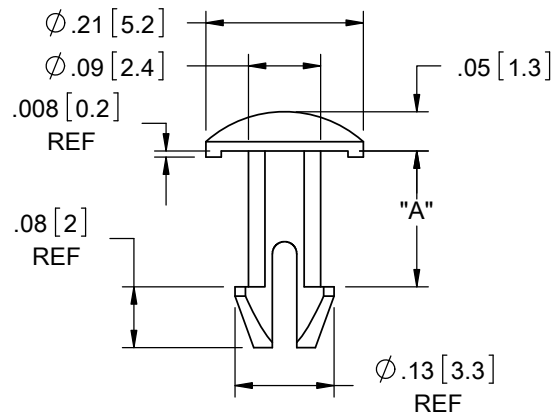


FIG 2.
SLP-1 SERIES



FIG 3.
SLP-2 SERIES

FIG 1	FIG 2	*FIG 3	DIM. "A"±.015
SLP100-177-01	SLP-1-177-01	SLP-2-177-01	.177 [4.5]
SLP100-221-01	SLP-1-221-01	SLP-2-221-01	.220 [5.6]
SLP100-236-01	SLP-1-236-01	SLP-2-236-01	.236 [6]
SLP100-245-01	SLP-1-245-01	SLP-2-245-01	.245 [6.2]
SLP100-307-01	SLP-1-307-01	SLP-2-307-01	.307 [7.8]
SLP100-316-01	SLP-1-316-01	SLP-2-316-01	.316 [8]
SLP100-330-01	SLP-1-330-01	SLP-2-330-01	.330 [8.4]
SLP100-413-01	SLP-1-413-01	SLP-2-413-01	.413 [10.5]
SLP100-638-01	SLP-1-638-01	SLP-2-638-01	.638 [16.2]
SLP100-660-01	SLP-1-660-01	SLP-2-660-01	.660 [16.8]
SLP100-701-01	SLP-1-701-01	SLP-2-701-01	.701 [17.8]



- NOTES:
 1. MATERIAL: NYLON 6/6 UL 94 V-2 (RMS-01).
 -NYLON 6/6 UL 94 V-0 (RMS-19) AVAILABLE BY SPECIAL ORDER.
 TO ORDER REPLACE "-01" WITH "-19".
 2. COLOR: NATURAL.
 3. ALL PARTS TO SNAP-LOCK IN A .098±.002 [2.5±0.05] DIA. HOLE.

REV.	DESCRIPTION	ENGR.	DATE
C	SEE CO 200773 FOR CHANGES	SK	04/30/12
B	SEE CO 200083 FOR CHANGES	SK	12/06/07
A	RELEASED FOR PRODUCTION, CO 200066	SK	11/19/07

TITLE: SNAP- LOCK PINS				DWG IN IN [MM]			
CREATED USING SOLIDWORKS	FILE #: SLPX	DWN: SK	APP: R.T.	FINAL			
TOLERANCES UNLESS NOTED .XX=±.010 .XXX=±.005 FRAC.=±1/64 ANG.=±1°	SHEET: 1 OF 1	SHEET SIZE: B	DT: 11/15/07	CHKD: D.Z.	PART #		PRINT TYPE
RE: RICHCO, INC.			RICHCO, INC. ENG@RICHCO-INC.COM (773) 539-4060		SEE TABLE		CA