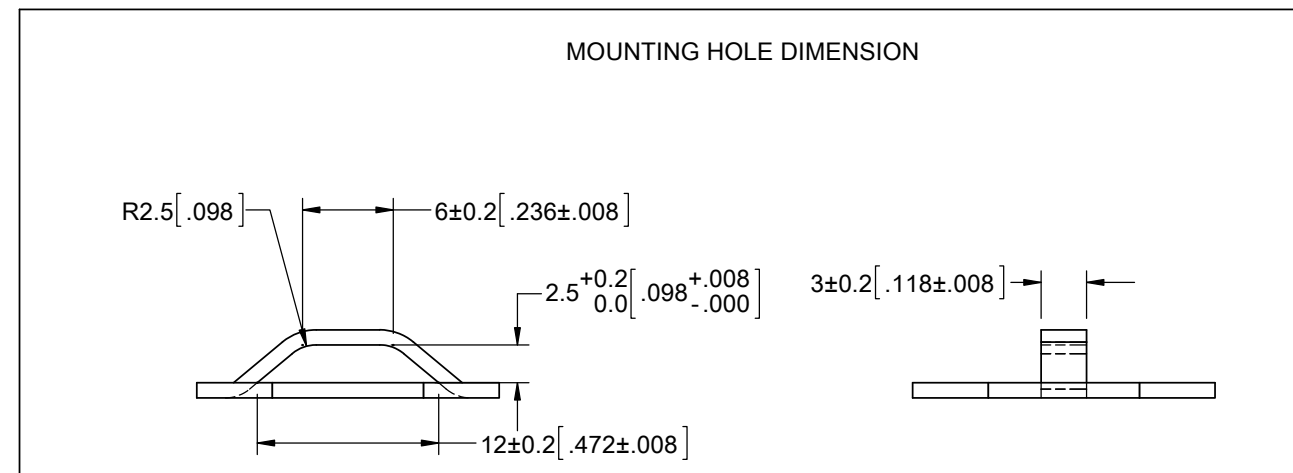
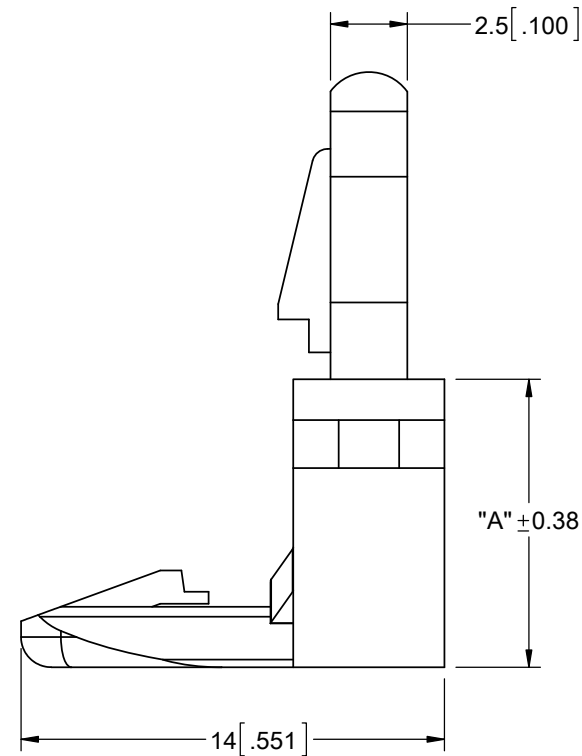
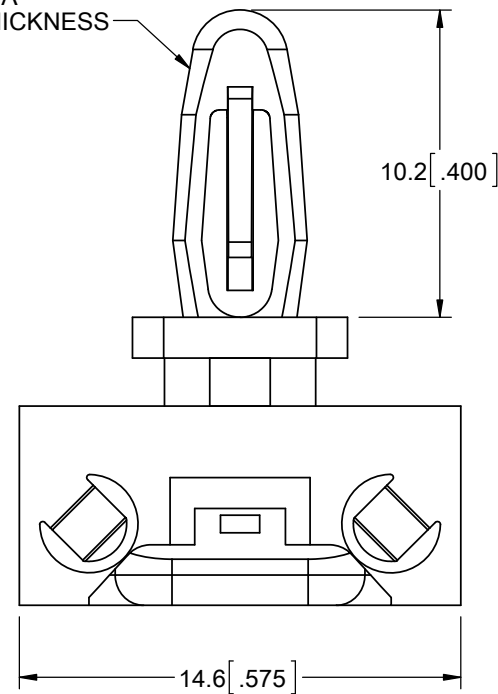


MATERIAL: NYLON 6/6 UL94 V-2 (RMS-01), COLOR: NATURAL PART NO.	MATERIAL: NYLON 6/6 UL94 V-0 (RMS-19), COLOR: NATURAL PART NO.	DIM. "A"
SMLCBS-5-01	SMLCBS-5-19	7.94 [.3125]
SMLCBS-6-01	SMLCBS-6-19	9.53 [.375]
SMLCBS-7-01	SMLCBS-7-19	11.11 [.4375]
SMLCBS-8-01	SMLCBS-8-19	12.7 [.500]

TO SNAP-LOCK IN A $\varnothing 3.96 \pm 0.08$
[.156 ± .003] HOLE, IN A
1.57 [.062] PANEL THICKNESS



REV.	DESCRIPTION	ENGR.	DATE
A	RELEASED FOR PRODUCTION	SK	12/06/2011

TITLE: SIDE MOUNT LCBS				UNITS= mm [IN]		FINAL	
CREATED USING SOLIDWORKS	FILE #: SMLCBS	DWN: DZ	APP: DZ	PART #			
TOLERANCES UNLESS NOTED X<10=±0.1 10<X<30=±0.3 X>30=±0.5 ANG.=±1°	SHEET: 1 OF 1	SHEET SIZE: B	DT: 12/05/2011	CHKD: SK	SEE TABLE		PRINT TYPE CA
RE: RICHCO, INC.		RICHCO, INC. WWW.RICHCO-INC.COM					