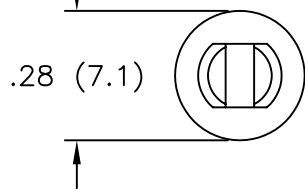
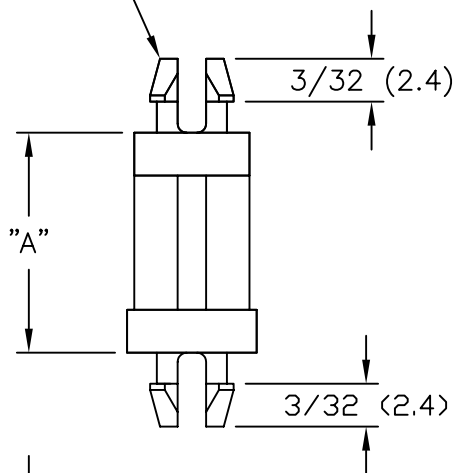


TO SNAP-LOCK IN A $.156 \pm .003$
 (4.00 ± 0.08) DIA. HOLE, IN A
 $.062 (1.57)$ NOM. THK. BOARD/CHASSIS
 (BOTH ENDS)



PART NO.	"A"
SP1-3-01	$\pm .015 (\pm 0.4)$ 3/16 (4.8)
SP1-4-01	1/4 (6.4)
SP1-6-01	3/8 (9.5)
SP1-8-01	1/2 (12.7)
SP1-10-01	5/8 (15.9)
SP1-12-01	3/4 (19.1)
SP1-14-01	7/8 (22.2)
SP1-16-01	1 (25.4)

NOTES:

1. MATERIAL: NYLON 6/6 (RMS-01).
 FLAME RETARDANT: NYLON (RMS-19),
 AVAILABLE BY SPECIAL ORDER ONLY.
2. COLOR: NATURAL.

TITLE: SUPPORT POST, TYPE 1						DWG IN IN (MM)	
TOLERANCES UNLESS NOTED .XX= $\pm .010$.XXX= $\pm .005$ FRAC= $\pm 1/64$ ANG= $\pm 1^\circ$	FILE # SP1	DWN: P.B.	APP:	FINAL			
	MAT'L: SEE NOTES	DT: 03-11-94	DT:	PART #		PRINT	
	RE: RICHCO, INC.	RICHCO INC. PO BOX 804238, CHICAGO, 60680 (773) 539-4060		SEE TABLE		TYPE CA	
B	CHANGED FILE NO. AND TITLE BLOCK	SM 02.04.02					
A	DIM'S 3/32 (2.4) ADDED, DIM'S .16 (4.1) REMOVED, .062 IN NOTE 4 WAS 1/16	PB 083094					
REV	DESCRIPTION	ENGR DATE					