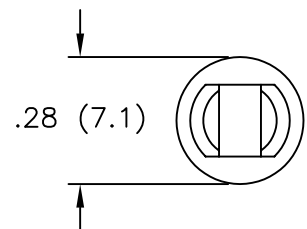
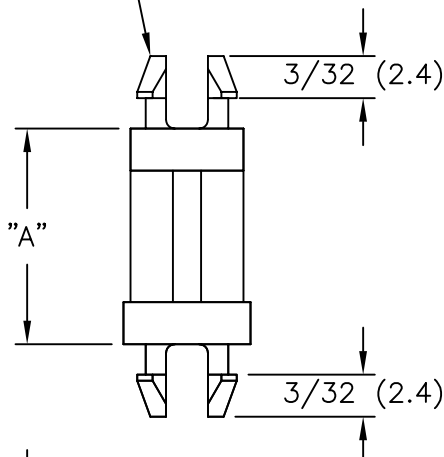


TO SNAP-LOCK IN A  $.187 \pm .003$   
 (4.75  $\pm$  0.08) DIA. HOLE, IN A  
 $.062$  (1.57) NOM. THK. BOARD/CHASSIS  
 (BOTH ENDS)



PART NO.	"A"
	$\pm .015$ ( $\pm 0.4$ )
SP2-3-01	3/16 (4.8)
SP2-4-01	1/4 (6.4)
SP2-6-01	3/8 (9.5)
SP2-8-01	1/2 (12.7)
SP2-10-01	5/8 (15.9)
SP2-12-01	3/4 (19.1)
SP2-14-01	7/8 (22.2)
SP2-16-01	1 (25.4)

NOTES:

- MATERIAL: NYLON 6/6 (RMS-01).  
 FLAME RETARDANT: NYLON (RMS-19),  
 AVAILABLE BY SPECIAL ORDER ONLY.
- COLOR: NATURAL.

TITLE: SUPPORT POST, TYPE 2						DWG IN IN (MM)	
TOLERANCES UNLESS NOTED .XX= $\pm$ .010 .XXX= $\pm$ .005 FRAC=1/64 ANG=1°	FILE # SP2	DWN: P.B.	APP:	FINAL			
	MAT'L: SEE NOTES	DT: 03-11-01	DT:	PART #	PRINT TYPE		
	RE: RICHCO, INC.	RICHCO INC. PO BOX 804238, CHICAGO, 60680 (773) 539-4060		SEET TABLE	CA		

A	CHANGED FILE NO. AND TITLE BLOCK	SM 02.04.02
REV	DESCRIPTION	ENGR DATE