



THREE FLANGE DUAL PRIMARY 12.0VA PC BOARD POWER TRANSFORMER

REV. Status

- REVISION - 08/14/96 TS
- REVISION A REFORMATTED 07/14/97 TS
- REVISION B CHANGED A.7. 08/23/99 TS
- REVISION C ADDED RoHS 01/10/06 MP

A. Electrical Specifications (@ 25 °C)

1. Maximum Power: 12.0 VA
2. Input Voltage and Frequency: 115/230V 50/60 Hz
3. Secondary Voltage: See Table A
4. Voltage Regulation: 19% TYP @ full load to no load
5. Temperature Rise: 45°C TYP (50°C MAX allowed)
6. Insulation Resistance:
 - 100 MΩ MIN @ 500VDC, Pri to Sec, Pri to Core
 - 100 MΩ MIN @ 500VDC, Sec to Core
7. Hi-Pot:
 - 2500 Vrms 1 minute @ Pri to Sec
 - 1500 Vrms 1 minute @ Pri to Core
 - 1500 Vrms 1 minute @ Sec to Core
 - 500 Vrms 1 minute @ Sec to Sec

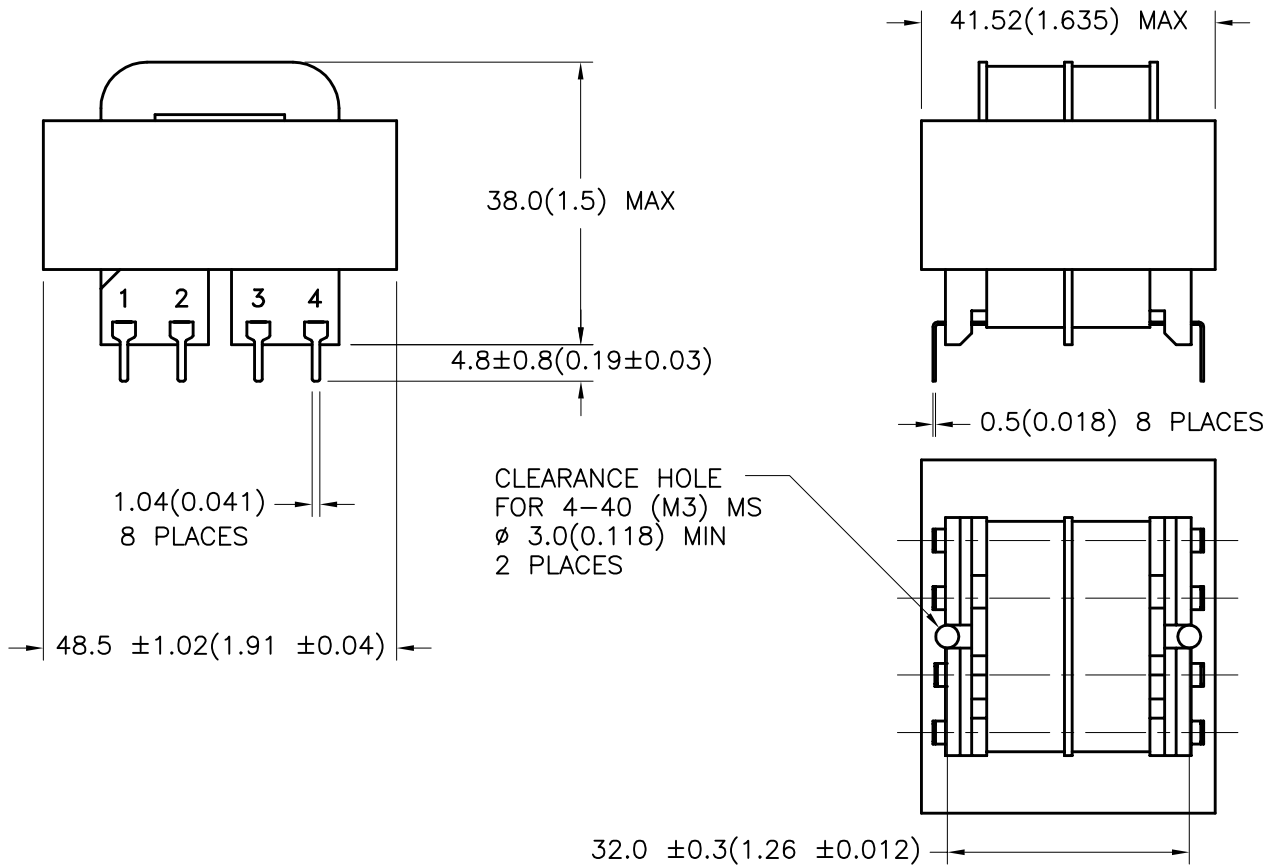
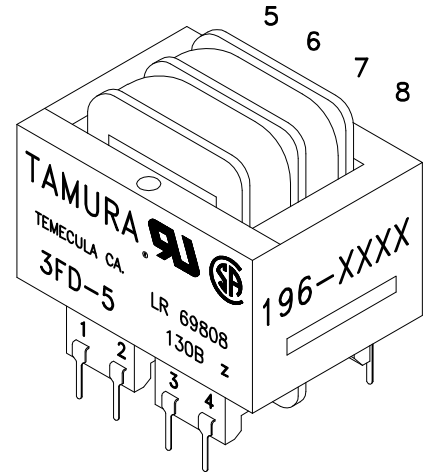
B. Marking: TAMURA, Tamura part number (see sheet 2), MICROTRAN, Microtran part number (see sheet 2), date code, country of origin, safety logos and input and output ratings

C. Safety:
 Insulation Class B (130°C) File No. E92957
 CSA 22.2 Nos. 0 and 66, File No. LR69808
 UL 1585, Class II and III, File No. E95844
 UL 506, General Purpose, File No. E91239

D. Mechanical Specifications:



MODEL NUMBER
3FD-5XX & PSD5-XX



PREPARED BY:
K. BRENNAN

ENGINEER:
M. PITCHAI

QUALITY CONTROL:
T. CLEM

APPROVED:
Y. SEKIGUCHI

DWG CONTROL NO. P-A1-11164
 ACAD\3F\A111641.DWG

REV C
 SIZE 5 3FD & PSD FAMILY
 POWER TRANSFORMER

CONTENTS OF THIS DRAWING ARE SUBJECT TO CHANGE WITHOUT PRIOR NOTICE
TAMURA CORPORATION OF AMERICA
 43352 BUSINESS PARK DRIVE, TEMECULA, CA. 92590-6624
 (951) 699-1270 FAX 9516769482

3FD-5XX & PSD5-XX

MODEL SPECIFICATION
 DIM: mm(In) SCL: 1/1 SH: 1 OF 2

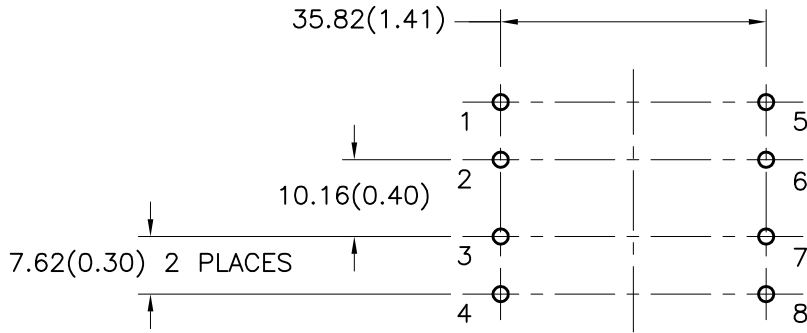
PROPRIETARY NOTICE: THIS DRAWING PRINT OR DOCUMENT AND SUBJECT MATTER DISCLOSED HEREIN ARE PROPRIETARY ITEMS TO WHICH TAMURA RETAINS THE EXCLUSIVE RIGHT OF DISSEMINATION, REPRODUCTION, MANUFACTURE AND SALE. THIS DRAWING, PRINT OR DOCUMENT IS SUBMITTED IN CONFIDENCE FOR CONSIDERATION BY THE RECIPIENT ALONE UNLESS PERMISSION FOR FURTHER DISCLOSURE IS EXPRESSLY GRANTED IN WRITING.



REV. Status

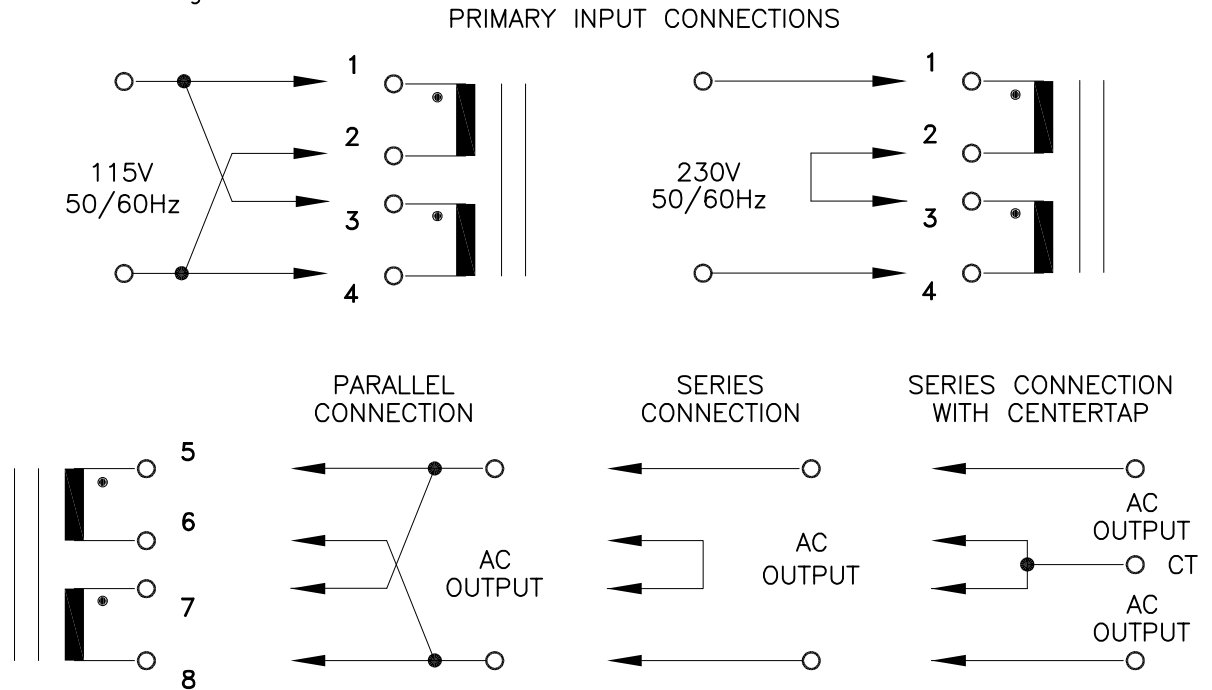
- REVISION - 08/14/96 TS
- REVISION A REFORMATTED 07/14/97 TS
- REVISION B CHANGED A.7. 08/23/99 TS
- REVISION C ADDED RoHS 01/10/06 MP

E. Mounting Footprint:



MODEL NUMBER
3FD-5XX & PSD5-XX

F. Connection Diagram:



G. Table A: (NOTE: all parts are dual marked with both part numbers)

TAMURA PART NO.	MICROTRAN PART NO.	PARALLEL CONNECTION		SERIES CONNECTION		SERIES CONNECTION WITH CT	
		AC VOLTS	RMS AMPS	AC VOLTS	RMS AMPS	AC VOLTS	RMS AMPS
3FD-510	PSD5-10	5.0	2.4	10.0	1.2	5.0-CT-5.0	1.2
3FD-512	PSD5-12	6.3	2.0	12.6	1.0	6.3-CT-6.3	1.0
3FD-516	PSD5-16	8.0	1.6	16.0	0.8	8.0-CT-8.0	0.8
3FD-520	PSD5-20	10.0	1.2	20.0	0.6	10.0-CT-10.0	0.6
3FD-524	PSD5-24	12.0	1.0	24.0	0.5	12.0-CT-12.0	0.5
3FD-528	PSD5-28	14.0	0.84	28.0	0.42	14.0-CT-14.0	0.42
3FD-536	PSD5-36	18.0	0.7	36.0	0.35	18.0-CT-18.0	0.35
3FD-548	PSD5-48	24.0	0.5	48.0	0.25	24.0-CT-24.0	0.25
3FD-556	PSD5-56	28.0	0.44	56.0	0.22	28.0-CT-28.0	0.22
3FD-5120	PSD5-120	60.0	0.2	120.0	0.1	60.0-CT-60.0	0.1

PREPARED BY:
K. BRENNAN

ENGINEER:
M. PITCHAI

QUALITY CONTROL:
T. CLEM

APPROVED:
Y. SEKIGUCHI

DWG CONTROL NO. P-A1-11164
ACAD\3F\A111642.DWG

REV C

SIZE 5 3FD & PSD FAMILY
POWER TRANSFORMER

TAMURA CORPORATION OF AMERICA
43352 BUSINESS PARK DRIVE, TEMECULA, CA. 92590-6624
(951) 699-1270 FAX 9516769482

3FD-5XX & PSD5-XX

MODEL SPECIFICATION

DIM: mm(In) SCL: 1/1 SH: 2 OF 2

PROPRIETARY NOTICE: THIS DRAWING PRINT OR DOCUMENT AND SUBJECT MATTER DISCLOSED HEREIN ARE PROPRIETARY ITEMS TO WHICH TAMURA RETAINS THE EXCLUSIVE RIGHT OF DISSEMINATION, REPRODUCTION, MANUFACTURE AND SALE. THIS DRAWING, PRINT OR DOCUMENT IS SUBMITTED IN CONFIDENCE FOR CONSIDERATION BY THE RECIPIENT ALONE UNLESS PERMISSION FOR FURTHER DISCLOSURE IS EXPRESSLY GRANTED IN WRITING.