



THREE FLANGE SINGLE PRIMARY 2.4VA PC BOARD POWER TRANSFORMER

MODEL NUMBER
3FS-3XX & PSS3-XX

REV. Status

REVISION - 07/24/96 TS
REVISION A REFORMATTED 08/22/96 TS
REVISION B REFORMATTED 07/15/97 TS
REVISION C CHANGED A.7. 08/20/99 TS
REVISION D ADDED RoHS 01/12/06 MP

A. Electrical Specifications (@ 25°C)

- Maximum Power: 2.4 VA
- Input Voltage and Frequency: 115V 50/60 Hz
- Secondary Voltage: See Table A
- Voltage Regulation: 24% TYP @ full load to no load
- Temperature Rise: 35°C TYP (45°C MAX allowed)
- Insulation Resistance:
 - 100 MΩ MIN @ 500VDC, Pri to Sec, Pri to Core
 - 100 MΩ MIN @ 500VDC, Sec to Core
- Hi-Pot: 2500 Vrms 1 minute @ Pri to Sec
1500 Vrms 1 minute @ Pri to Core
1500 Vrms 1 minute @ Sec to Core
500 Vrms 1 minute @ Sec to Sec

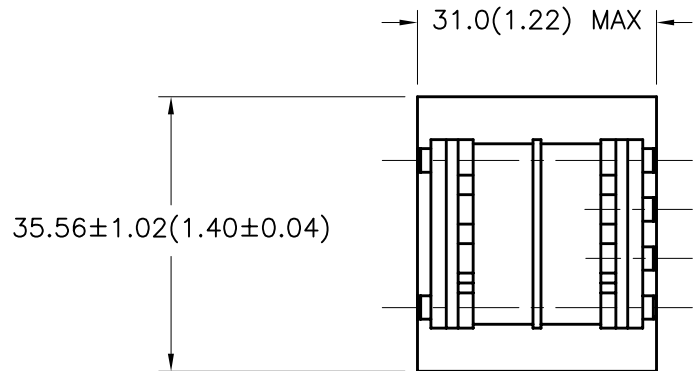
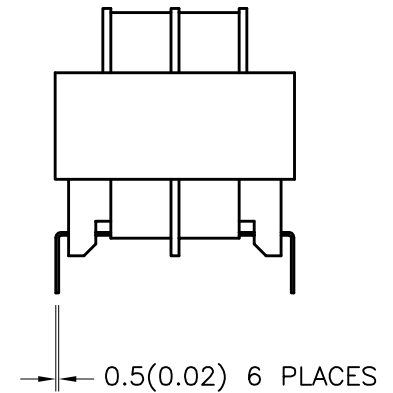
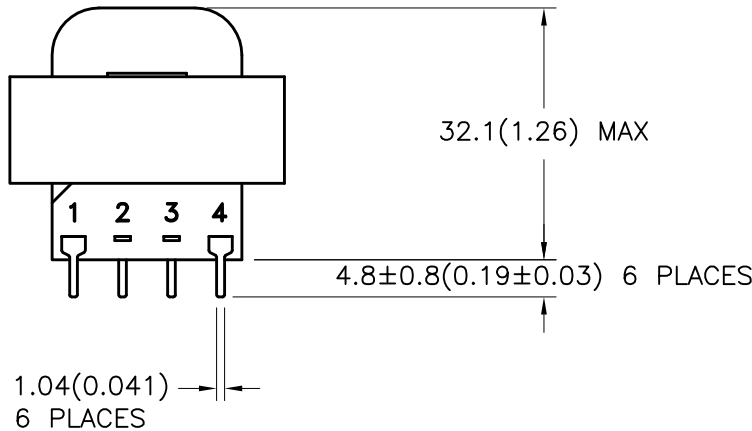
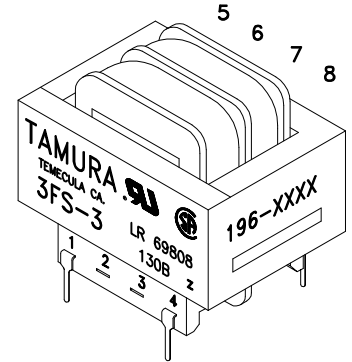


B. Marking: TAMURA, Tamura part number (see sheet 2), MICROTRAN, Microtran part number (see sheet 2), date code, country of origin, safety logos and input and output ratings

C. Safety:

Insulation Class B (130°C) File No. E92957
 CSA 22.2 Nos. 0 and 66, File No. LR69808
 UL 1585, Class II and III, File No. E95844
 UL 506, General Purpose, File No. E91239

D. Mechanical Specifications:



PREPARED BY:

K. BRENNAN

ENGINEER:

M. PITCHAI

QUALITY CONTROL:

T. CLEM

APPROVED:

Y. SEKIGUCHI

DWG CONTROL NO. P-A1-11646
 ACAD\3F\A1116461.DWG

REV D

SIZE 3 3FS & PSS FAMILY
 POWER TRANSFORMER

TAMURA CORPORATION OF AMERICA
 43352 BUSINESS PARK DRIVE, TEMECULA, CA. 92590-6624
 (951) 699-1270 FAX 9516769482

3FS-3XX & PSS3-XX

MODEL SPECIFICATION

DIM: mm(In) SCL: 1/1 SH: 1 OF 2

PROPRIETARY NOTICE: THIS DRAWING PRINT OR DOCUMENT AND SUBJECT MATTER DISCLOSED HEREIN ARE PROPRIETARY ITEMS TO WHICH TAMURA RETAINS THE EXCLUSIVE RIGHT OF DISSEMINATION, REPRODUCTION, MANUFACTURE AND SALE. THIS DRAWING, PRINT OR DOCUMENT IS SUBMITTED IN CONFIDENCE FOR CONSIDERATION BY THE RECIPIENT ALONE UNLESS PERMISSION FOR FURTHER DISCLOSURE IS EXPRESSLY GRANTED IN WRITING.



E. Mounting Footprint:

REV. Status

REVISION -
07/24/96 TS

REVISION A
REFORMATTED
08/22/96 TS

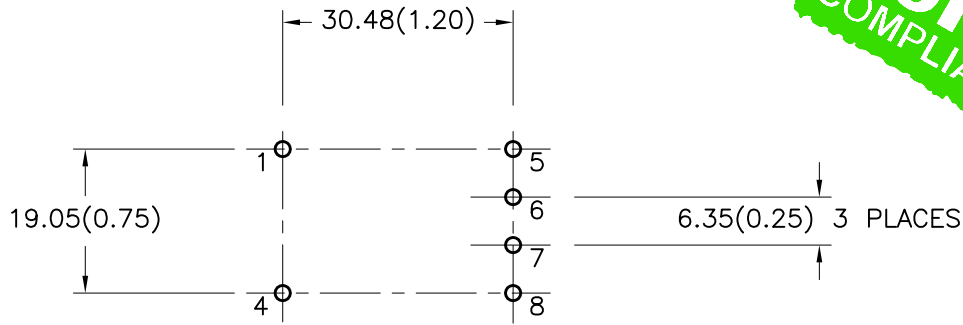
REVISION B
REFORMATTED
07/15/97 TS

REVISION C
CHANGED A.7.
08/20/99 TS

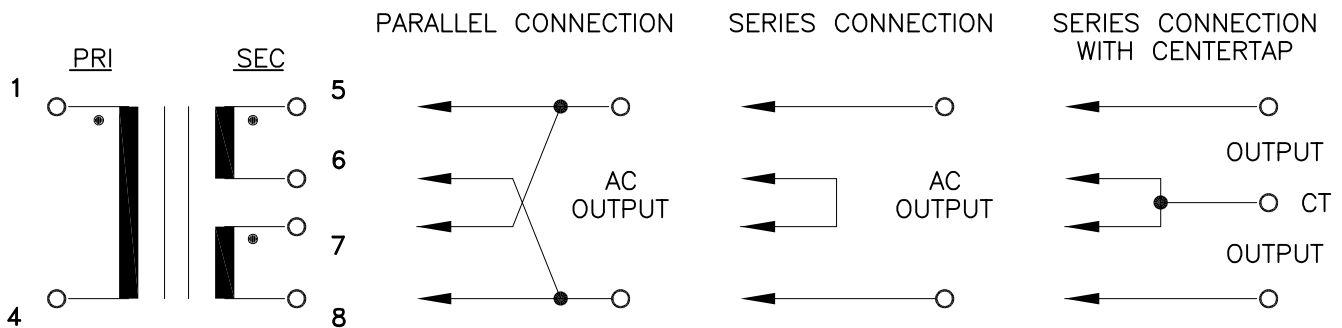
REVISION D
ADDED RoHS
01/12/06 MP



MODEL NUMBER
3FS-3XX & PSS3-XX



F. Schematic Diagram:



G. Table A: (NOTE: All parts are dual marked with both part numbers)

TAMURA PART NO.	MICROTRAN PART NO.	PARALLEL CONNECTION		SERIES CONNECTION		SERIES CONNECTION WITH CT	
		AC VOLTS	RMS AMPS	AC VOLTS	RMS AMPS	AC VOLTS	RMS AMPS
3FS-310	PSS3-10	5.0	0.50	10.0	0.25	5.0-CT-5.0	0.25
3FS-312	PSS3-12	6.3	0.40	12.6	0.20	6.3-CT-6.3	0.20
3FS-316	PSS3-16	8.0	0.30	16.0	0.15	8.0-CT-8.0	0.15
3FS-320	PSS3-20	10.0	0.24	20.0	0.12	10.0-CT-10.0	0.12
3FS-324	PSS3-24	12.0	0.20	24.0	0.10	12.0-CT-12.0	0.10
3FS-328	PSS3-28	14.0	0.17	28.0	0.085	14.0-CT-14.0	0.085
3FS-336	PSS3-36	18.0	0.13	36.0	0.065	18.0-CT-18.0	0.065
3FS-348	PSS3-48	24.0	0.10	48.0	0.05	24.0-CT-24.0	0.05
3FS-356	PSS3-56	28.0	0.09	56.0	0.045	28.0-CT-28.0	0.045
3FS-3120	PSS3-120	60.0	0.40	120.0	0.02	60.0-CT-60.0	0.02

PREPARED BY:

K. BRENNAN

ENGINEER:

M. PITCHAI

QUALITY CONTROL:

T. CLEM

APPROVED:

Y. SEKIGUCHI

DWG CONTROL NO. P-A1-11646
ACAD\3F\A1116462.DWG

REV D SIZE 3 3FS & PSS FAMILY
POWER TRANSFORMER

3FS-3XX & PSS3-XX

CONTENTS OF THIS DRAWING ARE SUBJECT TO CHANGE WITHOUT PRIOR NOTICE

TAMURA CORPORATION OF AMERICA
43352 BUSINESS PARK DRIVE, TEMECULA, CA. 92590-6624
(951) 699-1270 FAX 9516769482

MODEL SPECIFICATION
DIM: mm(In) SCL: 1/1 SH: 2 OF 2

PROPRIETARY NOTICE: THIS DRAWING PRINT OR DOCUMENT AND SUBJECT MATTER DISCLOSED HEREIN ARE PROPRIETARY ITEMS TO WHICH TAMURA RETAINS THE EXCLUSIVE RIGHT OF DISSEMINATION, REPRODUCTION, MANUFACTURE AND SALE. THIS DRAWING, PRINT OR DOCUMENT IS SUBMITTED IN CONFIDENCE FOR CONSIDERATION BY THE RECIPIENT ALONE UNLESS PERMISSION FOR FURTHER DISCLOSURE IS EXPRESSLY GRANTED IN WRITING.