

REV. Status

REVISION -  
02/04/03 YS

REVISION A  
ADDED RoHS &  
UPDATED LABELS  
DELETED CSA#  
LR69223  
02/27/06 MP

REVISION B  
CHG TUV FILE #  
WAS 810/89  
(EN60950 & VDE  
0551). CLARIFIED  
PIN OUTS  
04/19/07 YS

REVISION C  
UPDATE LOGO'S  
TO STD IED.  
Dielectric  
Withstand WAS  
Hi-Pot 3500.  
4-30-08 EB

REVISION D  
MOUNTING  
NOTE ADDED  
09/28/11 MP

REVISION E  
UPDATE SAFETY  
09/29/11 MP

REVISION F  
SAFETY NOTES  
ADDED  
03/20/13 MP

TOLERANCES (mm)	
≤ 4	± 0.2
4 ≤ 20	± 0.3
20 ≤ 50	± 0.4

PREPARED BY:

M. PITCHAI

ENGINEER:  
M. PITCHAI

SAFETY ENGINEER  
B. OCONNELL

APPROVED:  
P. BRUNE

THREE FLANGE DUAL PRIMARY 20VA PC BOARD POWER TRANSFORMER

A. Electrical Specifications (@ 25°C)

1. Maximum Power: 20VA
2. Primary Voltage and Frequency: 115/230VAC 50/60Hz
3. Secondary RMS Rating: See Table A
4. Voltage Regulation: 18% TYP @ full load to no load
5. Temperature Rise(normal op. condition): 45°C TYP (60° MAX)
6. A 10% Input Voltage change will proportionally affect transformer sec voltage. The max. allowed wdg temp under abnormal condition is 155°C
7. Insulation Resistance:  
100MΩ MIN @ 500VDC, Pri to Sec, Pri to Core, Sec to Core
8. Dielectric Withstand: 3750Vrms 1 minute @ Pri to Sec  
1500Vrms 1 minute @ Pri to Core, Sec to Core

B. Marking: includes input and output ratings (per sheet 2),

C. Safety:

Conforms to construction requirement of:

UL5085-1, -2; CSA No. 66.1, 66.2

(from Datecode 1143 and onwards).

UL506, UL1411

UL1446 (CLASS 130(B))

EN61558-1, -2-6

Safety certificate file reference:

UL E138028, E79781, E92957

CSA 175561

TUV (P.S.) 4478013415698

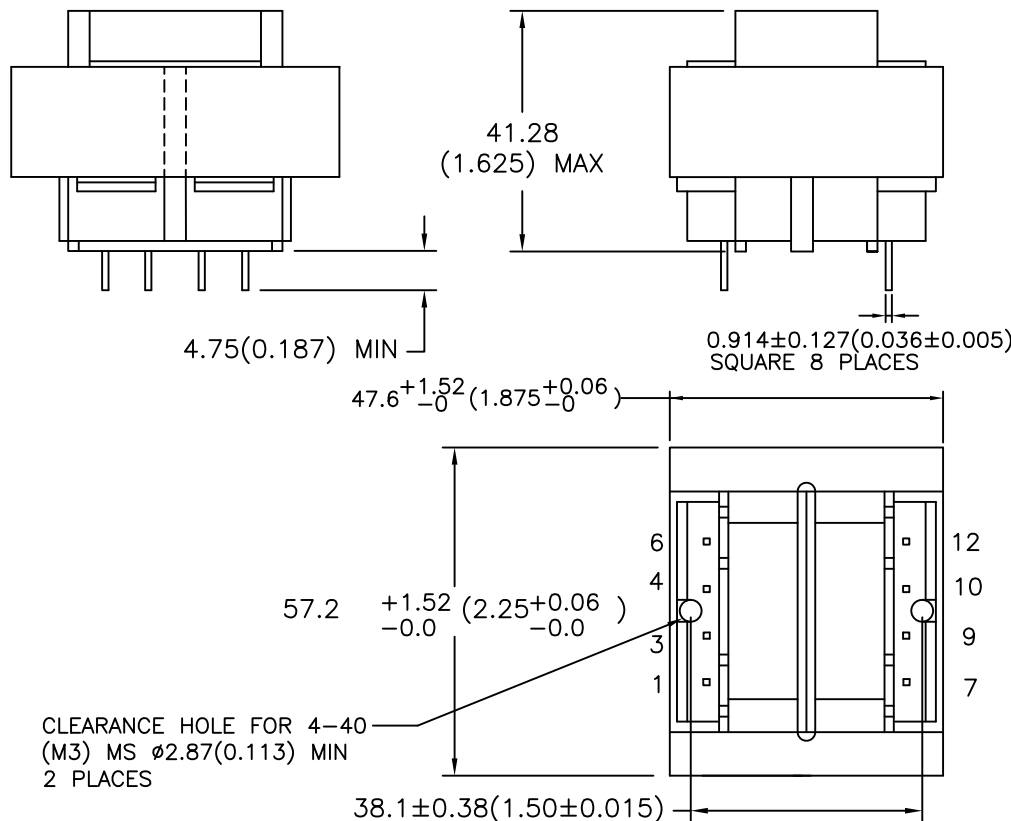
Non short-circuit proof safety isolating transformer.

Intended for mounting on PCBs and for building into end use-equipment.

Not intended for series/parallel connection with other transformers.

Mounting hardware may reduce spacing in end use application.

D. Mechanical Specifications:



NOTE: BOARD WASHING IS NOT RECOMMENDED FOR THESE PARTS

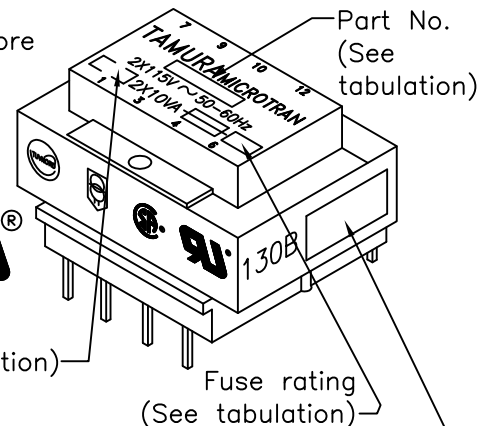
DRAWING CONTROL NO. P-A1-12260 ACAD/MXFMR/A1122601.DWG	REV F	MODEL DESCRIPTION POWER TRANSFORMER	MODEL SPECIFICATION PL20-XX-130B
CONTENTS OF THIS DRAWING ARE SUBJECT TO CHANGE WITHOUT PRIOR NOTICE		TAMURA CORPORATION OF AMERICA 1040 SOUTH ANDREASEN DRIVE, #100 ESCONDIDO, CA. 92029 (951) 699-1270 FAX 7607400536	DIM: mm[In] SCL: 1/1 SH: 1 OF 2

PROPRIETARY NOTICE: THIS DRAWING PRINT OR DOCUMENT AND SUBJECT MATTER DISCLOSED HEREIN ARE PROPRIETARY ITEMS TO WHICH TAMURA RETAINS THE EXCLUSIVE RIGHT OF DISSEMINATION, REPRODUCTION, MANUFACTURE AND SALE. THIS DRAWING, PRINT OR DOCUMENT IS SUBMITTED IN CONFIDENCE FOR CONSIDERATION BY THE RECIPIENT ALONE UNLESS PERMISSION FOR FURTHER DISCLOSURE IS EXPRESSLY GRANTED IN WRITING.

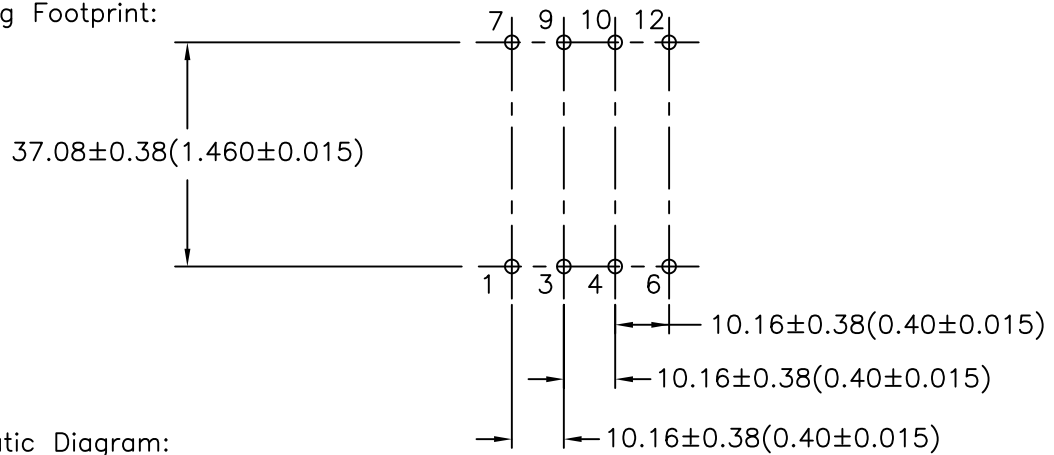


MODEL NUMBER

PL20-XX-130B



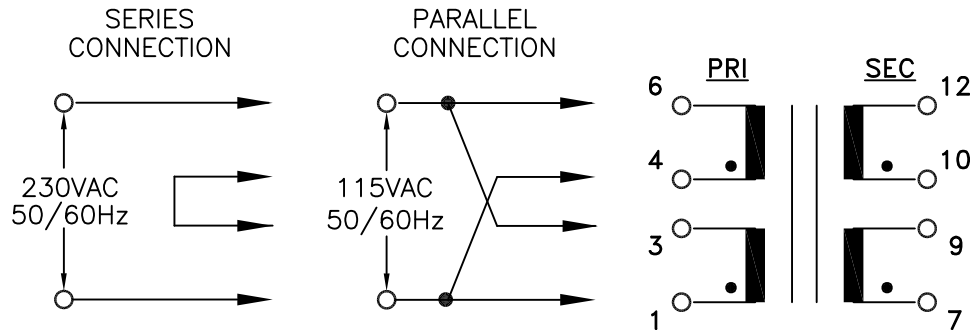
E. Mounting Footprint:



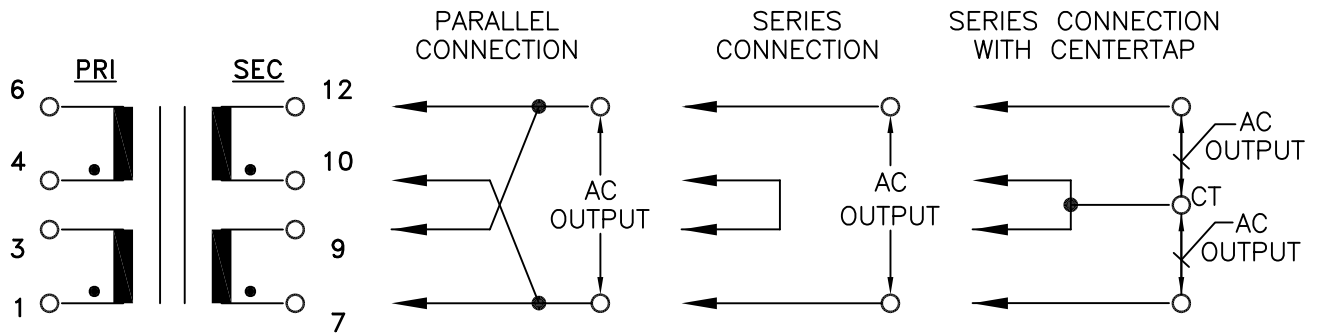
MODEL NUMBER  
**PL20-XX-130B**

F. Schematic Diagram:

**PRIMARY INPUT CONNECTIONS**



**SECONDARY OUTPUT CONNECTIONS**



G. Table A:

T= Time lag

PART NO.	PARALLEL		SERIES		SERIES WITH CT		OUTPUT	SECONDARY FUSE REQ'D EA. WINDING
	AC VOLTS	RMS AMPS	AC VOLTS	RMS AMPS	AC VOLTS	RMS AMPS		
PL20-10-130B	5.0	4.00	10.0	2.00	5.0-CT-5.0	2.00	2X5.0V	T 2.00A
PL20-12-130B	6.3	3.20	12.6	1.60	6.3-CT-6.3	1.60	2X6.3V	T 1.60A
PL20-16-130B	8.0	2.50	16.0	1.25	8.0-CT-8.0	1.25	2X8.0V	T 1.25A
PL20-20-130B	10.0	2.00	20.0	1.00	10.0-CT-10.0	1.00	2X10.0V	T 1.00A
PL20-24-130B	12.0	1.66	24.0	0.83	12.0-CT-12.0	0.83	2X12.0V	T 1.00A
PL20-28-130B	14.0	1.44	28.0	0.72	14.0-CT-14.0	0.72	2X14.0V	T 0.80A
PL20-36-130B	18.0	1.12	36.0	0.56	18.0-CT-18.0	0.56	2X18.0V	T 0.63A

PREPARED BY:

M. PITCHAI

ENGINEER:  
M. PITCHAI

SAFETY ENGINEER  
B. O'CONNELL

APPROVED:

P. BRUNE

DRAWING CONTROL NO.  
P-A1-12260  
ACAD/MXFMR/A1122602.DWG

REV  
F

MODEL DESCRIPTION  
POWER  
TRANSFORMER

**TAMURA CORPORATION OF AMERICA**  
1040 SOUTH ANDREASEN DRIVE, #100 ESCONDIDO, CA. 92029  
(951) 699-1270 FAX 7607400536

MODEL SPECIFICATION

**PL20-XX-130B**

DIM: mm[In] SCL: NONE SH: 2 OF 2

PROPRIETARY NOTICE: THIS DRAWING PRINT OR DOCUMENT AND SUBJECT MATTER DISCLOSED HEREIN ARE PROPRIETARY ITEMS TO WHICH TAMURA RETAINS THE EXCLUSIVE RIGHT OF DISSEMINATION, REPRODUCTION, MANUFACTURE AND SALE. THIS DRAWING, PRINT OR DOCUMENT IS SUBMITTED IN CONFIDENCE FOR CONSIDERATION BY THE RECIPIENT ALONE UNLESS PERMISSION FOR FURTHER DISCLOSURE IS EXPRESSLY GRANTED IN WRITING.