

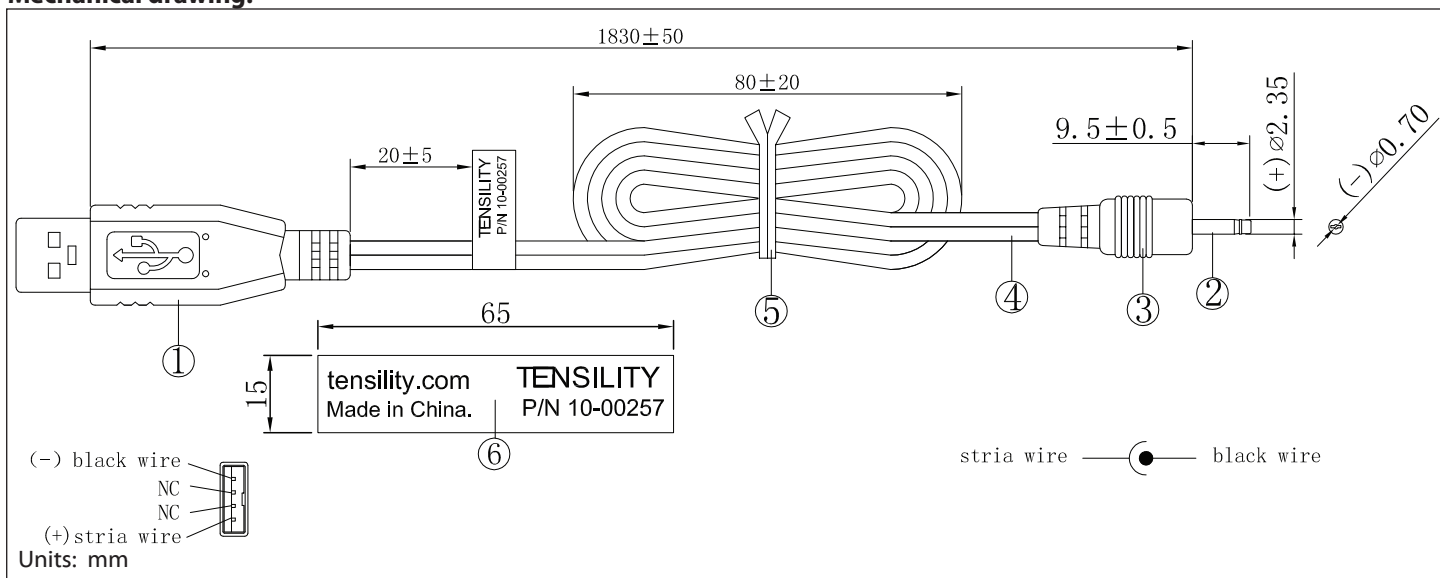
### Specifications:

|                           |  |
|---------------------------|--|
| connector description (1) | USB-A plug; inner mold: 30P, PVC, black; outer mold: 30P, PVC, black             |
| connector description (2) | dc plug, 2.35x0.7xL20.8 mm, EIAJ-1, molding style, spring contacts, P/N 50-00030 |
| overmold (3)              | 30P, PVC, black UL94V0   |
| wire description (4)      | 2C, 22 AWG, UL2468, 300V, 80C, 3.6 mm, PVC, 80P, P/N 30-00008                    |
| cable outer diameter      | Ø3.6 mm  |
| cable color               | black  |
| cable length              | 1830 ± 50 mm   |
| twist tie (5)             | black  |
| label (6)                 | tensility.com, Made in China, TENSILITY P/N 10-00257                             |
| current rating            | 1 A @ 5 Vdc  |

### Notes:

Function test: no open, no reversed polarity, no short circuit, no INT  
 RoHS compliant  
 Hi-Pot test: 600 Vac, 0.5 mA, 1 second

### Mechanical drawing:



**tolerance X: ±0.5 mm .X: ±0.3 mm .XX: ±0.05 mm**  
 applicable unless otherwise indicated in specification or on drawings  
 Tensility International Corporation reserves the right to substitute parts which are functionally equivalent to the ones specified.

|                |             |
|----------------|-------------|
| <b>Initial</b> | <b>Date</b> |
|----------------|-------------|

**Revision notes:**

| Rev | Date              | Description   |
|-----|-------------------|---|
| A   | November 10, 2009 | initial release   |
| A1  | March 18, 2010    | label drawing added   |
| A2  | September 6, 2011 | updated specifications  |
| A3  | August 9, 2012    | added label specifications, updated to show wire part number 30-00008 |
|     |                   |   |

**Specification Approval**

Spec sign-off verifies that you have reviewed the entire specification, tested a sample of the product, and confirm that it meets your requirements. This specification reflects the part as it will be ordered. Orders will not be processed until the specification pages have been initialed and the approval page has been signed. This specification is confidential and is not to be transmitted without prior approval from Tensility.

Signature \_\_\_\_\_

Title \_\_\_\_\_

Name \_\_\_\_\_

Date \_\_\_\_\_

Company \_\_\_\_\_

Branch \_\_\_\_\_