

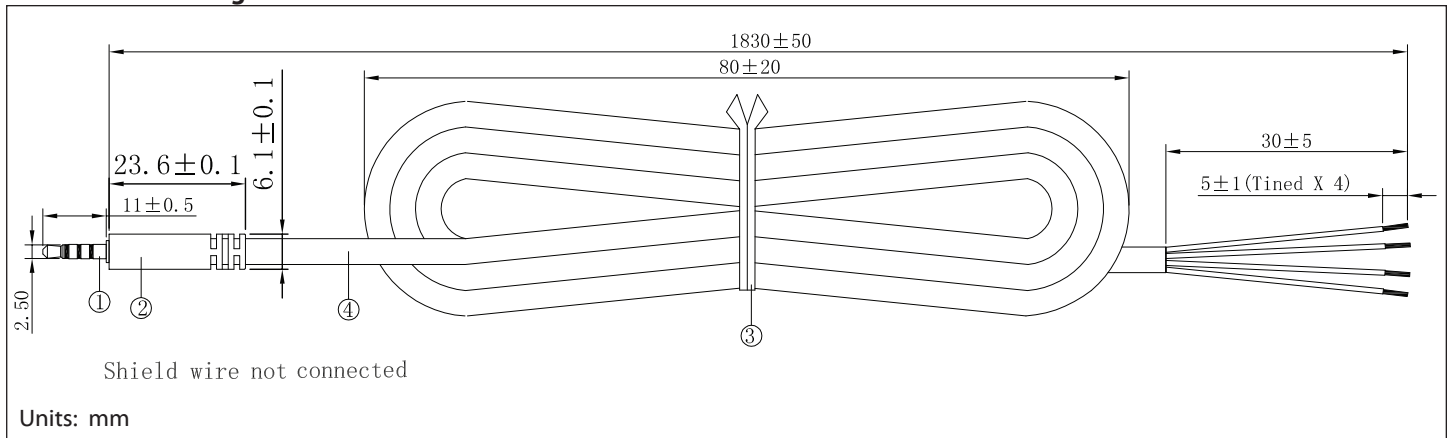
Specifications:

connector description (1)	C2.5 mm 4C audio plug, brass nickel plated, white insulators, P/N 50-00081
overmold (2)	inner: 30P, PVC, white; outer: 60P, PVC, white
wire description (4)	4C, 28 AWG, 3.8 mm, PVC, 80P, shielded, white, P/N 30-00181
cable outer diameter	Ø3.8 mm
cable color	white
cable length	1830 ± 50 mm
twist tie (3)	white

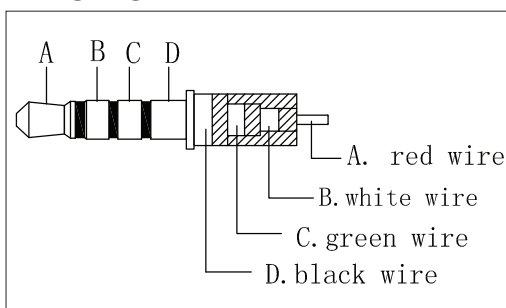
Notes:

Function test: no open, no reversed polarity, no short circuit, no INT
 RoHS compliant
 Hi-Pot test: 600 Vac, 0.5 mA, 1 second

Mechanical drawing:



Wiring diagram:



tolerance X: ±0.5 mm .X: ±0.3 mm .XX: ±0.05 mm
 applicable unless otherwise indicated in specification or on drawings
 Tensility International Corporation reserves the right to substitute
 parts which are functionally equivalent to the ones specified.

Initial	Date
----------------	-------------

Revision notes:

Rev	Date	Description
A	April 14, 2010	initial release
A1	September 6, 2011	updated specifications
A2	March 28, 2012	updated wire part number

Specification Approval

Spec sign-off verifies that you have reviewed the entire specification, tested a sample of the product, and confirm that it meets your requirements. This specification reflects the part as it will be ordered. Orders will not be processed until the specification pages have been initialed and the approval page has been signed. This specification is confidential and is not to be transmitted without prior approval from Tensility.

Signature _____ Title _____
 Name _____ Date _____
 Company _____ Branch _____