

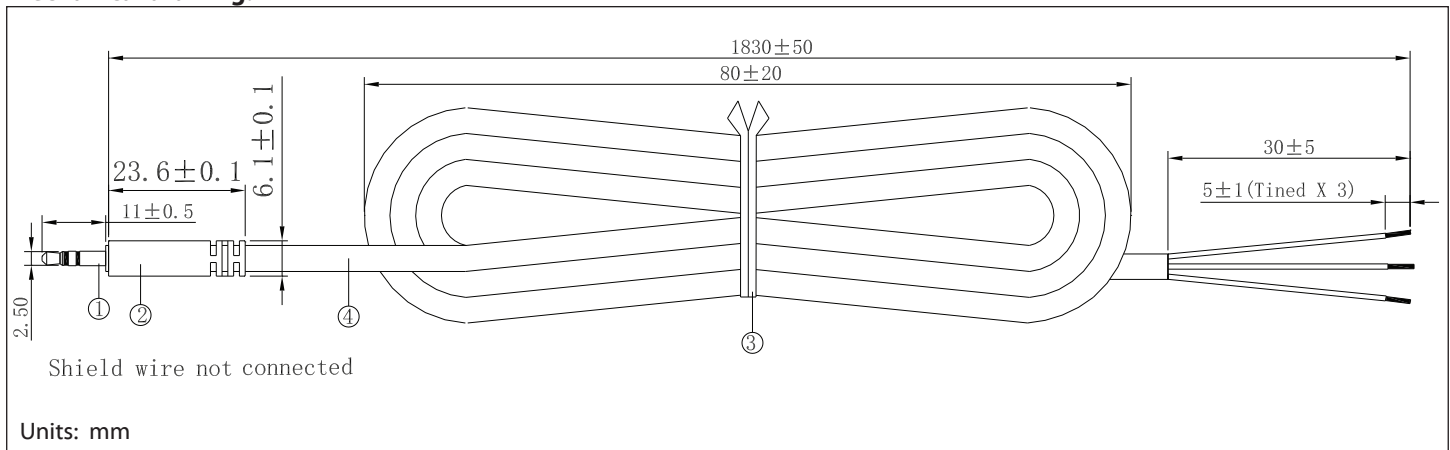
Specifications:

connector description (1)	audio plug, 2.5x20.5 mm, 3C, brass, nickel plated, molding style, P/N 50-00349
overmold (2)	inner: 30P, PVC, black; outer: 60P, PVC, black
wire description (4)	3C, 28 AWG, 3.8 mm, PVC 80P, shielded, P/N 30-00179
cable outer diameter	Ø3.8 mm
cable color	black
cable length	1830 ± 50 mm
twist tie (3)	black

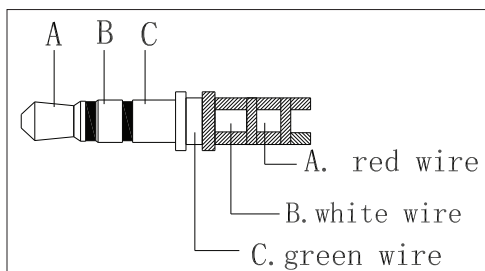
Notes:

Function test: no open, no reversed polarity, no short circuit, no INT
 RoHS compliant

Mechanical drawing:



Wiring diagram:



tolerance X: ±0.5 mm .X: ±0.3 mm .XX: ±0.05 mm
 applicable unless otherwise indicated in specification or on drawings
 Tensility International Corporation reserves the right to substitute parts which are functionally equivalent to the ones specified.

Initial	Date
----------------	-------------

Revision notes:

Rev	Date	Description
A	May 24, 2010	initial release
A1	September 6, 2011	updated specifications
A2	March 28, 2012	updated wire part number
A3	September 17, 2012	updated connector to 50-00252 part
A4	April 17, 2013	updated connector to 50-00349 part

Prepared:	Verified:
EK 2013.04.17 11:09:20 -07'00'	JM 2013.04.17 11:01:25 -07'00'

Specification Approval

Spec sign-off verifies that you have reviewed the entire specification, tested a sample of the product, and confirm that it meets your requirements. This specification reflects the part as it will be ordered. Orders will not be processed until the specification pages have been initialed and the approval page has been signed. This specification is confidential and is not to be transmitted without prior approval from Tensility.

Signature _____ Title _____
 Name _____ Date _____
 Company _____ Branch _____