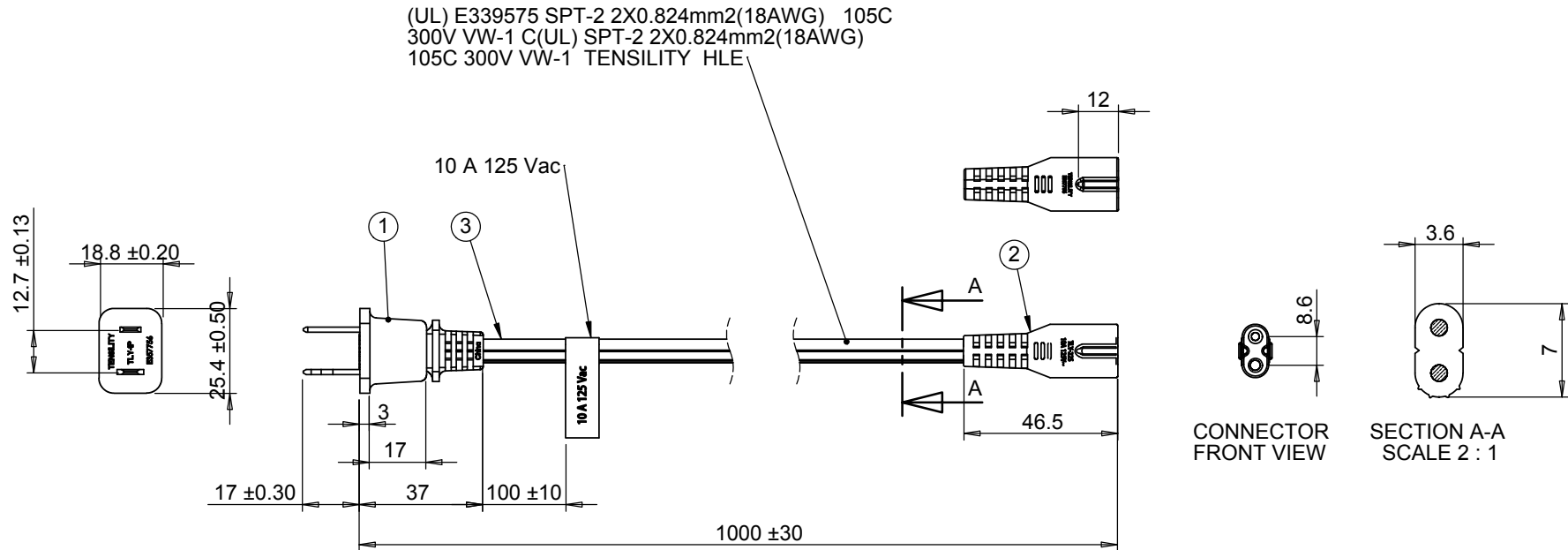


ITEM NO.	PART NUMBER	DESCRIPTION	QTY.	NOTES
1	TLY-1P	NEMA 1-15P, polarized	1	white overmold
2	TLY-22S	C7	1	white overmold
3	30-00247	Wire, 2C, 18 AWG, UL SPT-2, 300V, 105°C, 7.05 mm, VW-1, PVC, white	1	



Revision	Date	Description	Notes		<h1>TENSILITY</h1> <p>20802 Sockeye Place #130  Bend, OR 97701 USA  tel 541.323.3228 fax 541.323.4202  800 877.670.7118 www.tensility.com</p>		
A	12/20/2012	Initial release	Rated for 10 A at 125 Vac RoHS, REACH and Dodd-Frank conflict materials compliant Function test: no open, no reversed polarity, no short circuit, no INT				
			DIMENSIONS ARE IN MILLIMETERS TOLERANCES: X: ± 0.5 mm X.X: ± 0.3 mm X.XX: ± 0.05 mm		A	11-00020	
			DESCRIPTION: Ac cord, 1000 mm, U.S, NEMA 1-15P plug, TLY-1P to C7, TLY-22S, 18 AWG, SPT-2 wire, 30-00247, white		SCALE:1:2	WEIGHT:	SHEET 1 OF 1