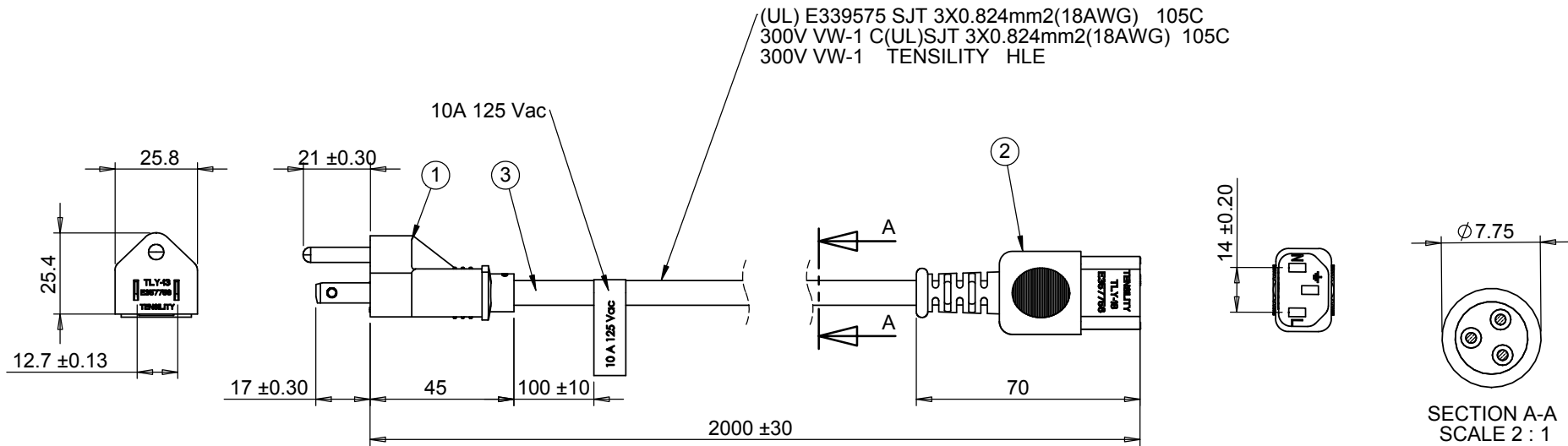


ITEM NO.	PART NUMBER	DESCRIPTION	QTY.	NOTES
1	TLY-13	NEMA 5-15P	1	white overmold
2	TLY-18	C13	1	white overmold
3	30-00249	Wire, 3C, 18 AWG, UL SJT, 300V, 105°C, 7.75 mm, VW-1, PVC, white	1	



Revision	Date	Description	Notes		TENSILITY		
A	12/19/2012	Initial release	Rated for 10 A at 125 Vac		20802 Sockeye Place #130 Bend, OR 97701 USA tel 541.323.3228 fax 541.323.4202 800 877.670.7118 www.tensility.com		
			RoHS, REACH and Dodd-Frank conflict materials compliant				
			Function test: no open, no reversed polarity, no short circuit, no INT				
			DIMENSIONS ARE IN MILLIMETERS	DESCRIPTION:	SIZE	Part number	
			TOLERANCES:	Ac cord, 2000 mm, U.S, NEMA 5-15P plug, TLY-13 to C13, TLY-18, 18 AWG, SJT wire, 30-00249, white	A	11-00031	
			X: ± 0.5 mm		SCALE:1:2	WEIGHT:	SHEET 1 OF 1
			X.X: ± 0.3 mm				
			X.XX: ± 0.05 mm				