

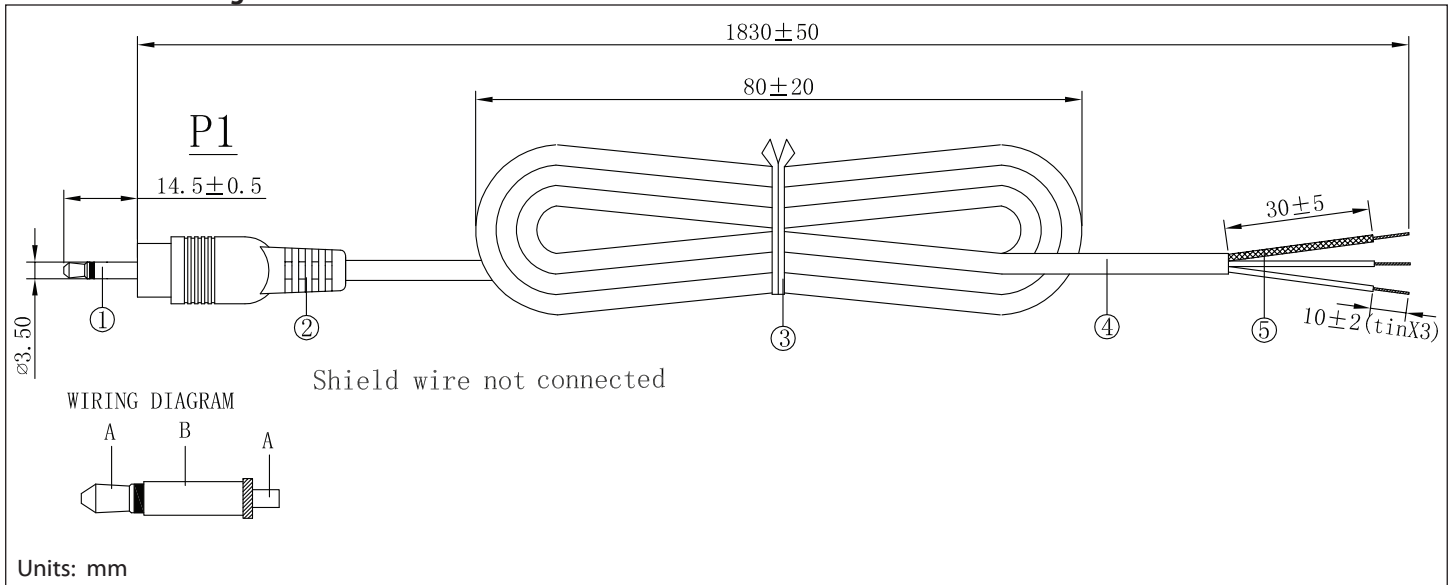
Specifications:

connector description (1)	mono plug 3.5xL24.5 mm, brass nickel plated, P/N 50-00120
overmold (2)	30P, PVC, black
wire description (4)	2C, 24 AWG, 300V, 80C, 3.7 mm, shielded, PVC, 65P, P/N 30-00005
cable outer diameter	Ø3.7 mm
cable color	black
cable length	1830 ± 50 mm
twist tie (3)	black
heat shrink (5)	Ø2.0, 105°C, 30 ± 2 mm, black
rating	<100 mA, 36 Vdc

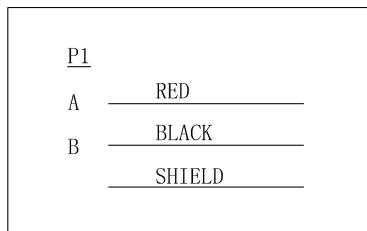
Notes:

Function test: no open, no reversed polarity, no short circuit, no INT
 RoHS compliant

Mechanical drawing:



Wiring diagram:



tolerance X: ±0.5 mm .X: ±0.3 mm .XX: ±0.05 mm
 applicable unless otherwise indicated in specification or on drawings
 Tensility International Corporation reserves the right to substitute parts which are functionally equivalent to the ones specified.

Initial	Date
---------	------

Revision notes:

Rev	Date	Description
A	January 19, 2009	Re-issued; original specification issued by CUI, re-issued by Tensility without any material or mechanical changes.
A1	August 31, 2011	updated description, connector, and wire information
A2	February 9, 2012	updated wiring diagram
A3	March 14, 2012	updated drawing
A4	May 9, 2012	updated drawing

Specification Approval

Spec sign-off verifies that you have reviewed the entire specification, tested a sample of the product, and confirm that it meets your requirements. This specification reflects the part as it will be ordered. Orders will not be processed until the specification pages have been initialed and the approval page has been signed. This specification is confidential and is not to be transmitted without prior approval from Tensility.

Signature _____

Title _____

Name _____

Date _____

Company _____

Branch _____