

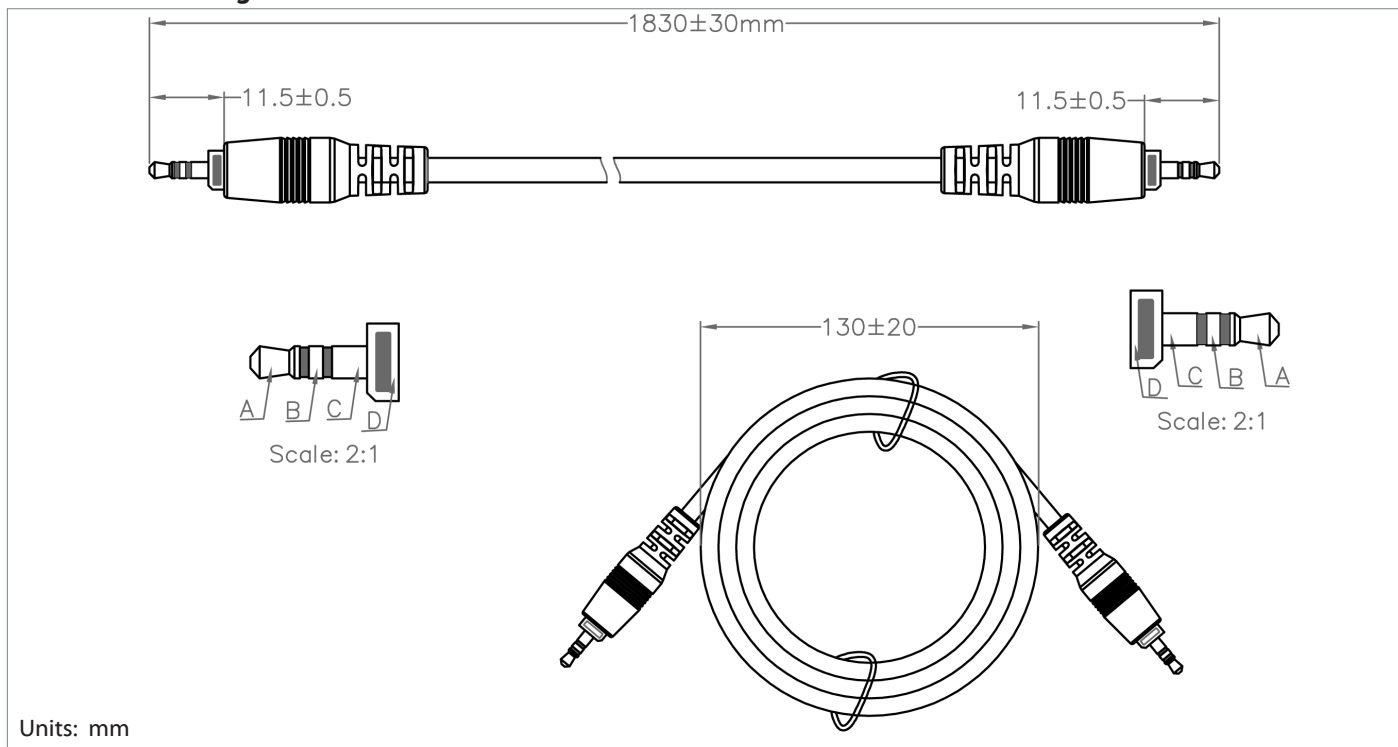
### Specifications:

connector description	2.5xL21.6 mm, audio plug 4C with metal ring, brass nickel plated, P/N 50-00006
overmold	PVC, black
wire description	4C (red, yellow, green, black), 26 AWG, 0.16x7, aluminum foil shield (0.2x7), 60P
cable outer diameter	Ø3.7 mm
cable color	black
cable length	1830 ± 30 mm
twist tie	black
current rating	2 A

### Notes:

RoHS compliant  
 Hi-Pot test: 300 Vac, 0.5 mA, 1 second

### Mechanical drawing:



### Wiring diagram:

A	Red Wire
B	Black Wire
C	Green Wire
D	Yellow Wire

**tolerance X: ±0.5 mm .X: ±0.3 mm .XX: ±0.05 mm**  
 applicable unless otherwise indicated in specification or on drawings  
 Tensility International Corporation reserves the right to substitute parts which are functionally equivalent to the ones specified.

<b>Initial</b>	<b>Date</b>
----------------	-------------

**Revision notes:**

Rev	Date	Description
A	January 19, 2009	Re-issue; original specification issued by CUI, re-issued by Tensility without any material or mechanical changes.
A1	May 11, 2009	added Tensility P/N 50-00006 to specification
A2	August 30, 2011	updated description and part number information

**Specification Approval**

Spec sign-off verifies that you have reviewed the entire specification, tested a sample of the product, and confirm that it meets your requirements. This specification reflects the part as it will be ordered. Orders will not be processed until the specification pages have been initialed and the approval page has been signed. This specification is confidential and is not to be transmitted without prior approval from Tensility.

Signature \_\_\_\_\_ Title \_\_\_\_\_  
 Name \_\_\_\_\_ Date \_\_\_\_\_  
 Company \_\_\_\_\_ Branch \_\_\_\_\_