

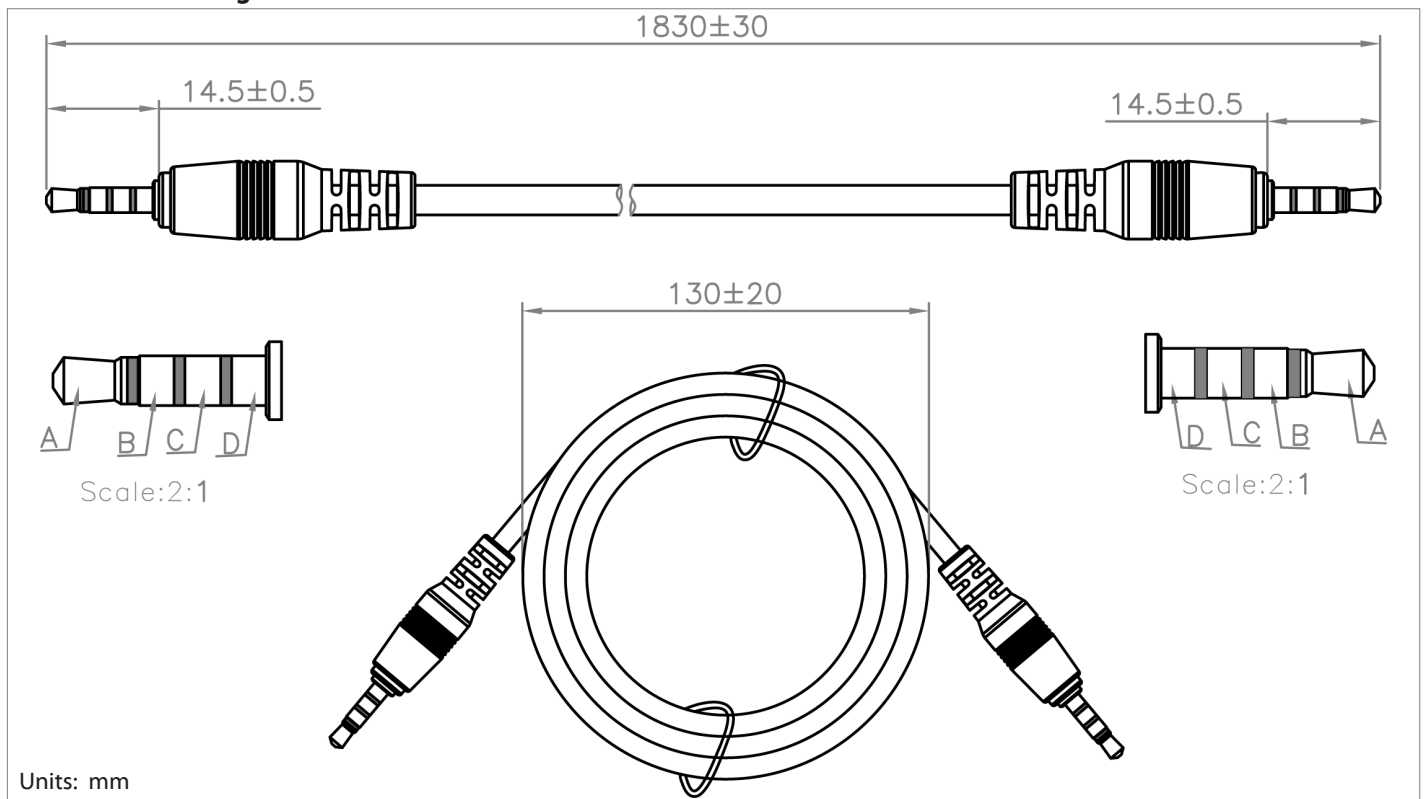
Specifications:

connector description	3.5xL26.6 mm, 4C audio plug, brass, nickel plated, P/N 50-00008
overmold	PVC, black
wire description	4C (red, yellow, green, black), 26 AWG, 0.16x7, aluminum foil shield (0.2x7), 60P
cable outer diameter	Ø3.7 mm
cable color	black
cable length	1830 ± 30 mm
twist tie	140mm, black
max current	2 A

Notes:

RoHS compliant
 Hi-Pot test: 300 Vac, 0.5 mA, 1 second

Mechanical drawing:



Wiring diagram:

A	Red Wire
B	Black Wire
C	Yellow Wire
D	Green Wire

tolerance X: ±0.5 mm .X: ±0.3 mm .XX: ±0.05 mm
 applicable unless otherwise indicated in specification or on drawings
 Tensility International Corporation reserves the right to substitute parts which are functionally equivalent to the ones specified.

Initial	Date
----------------	-------------

Revision notes:

Rev	Date	Description
A	January 19, 2009	Re-issue. Original specification issued by CUI; re-issued by Tensility without any material or mechanical changes.
A1	May 11, 2009	added Tensility P/N 50-00008 to specification
A2	August 30, 2011	updated description and connector information

Specification Approval

Spec sign-off verifies that you have reviewed the entire specification, tested a sample of the product, and confirm that it meets your requirements. This specification reflects the part as it will be ordered. Orders will not be processed until the specification pages have been initialed and the approval page has been signed. This specification is confidential and is not to be transmitted without prior approval from Tensility.

Signature _____

Title _____

Name _____

Date _____

Company _____

Branch _____