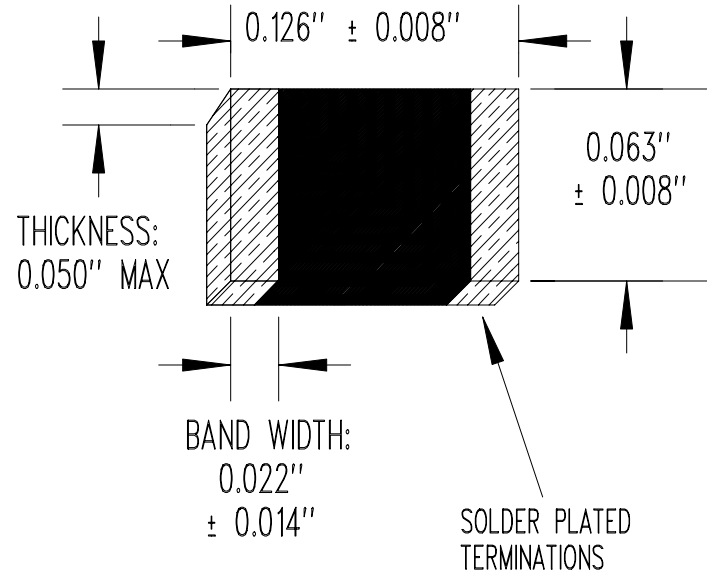


RESISTANCE/TEMPERATURE TABLE			
TEMP (°C)	RESIS (Ω)	TEMP (°C)	RESIS (Ω)
-40	249,474	45	4,667
-35	184,548	50	3,897
-30	138,020	55	3,266
-25	104,292	60	2,748
-20	79,576	65	2,319
-15	61,278	70	1,964
-10	47,598	75	1,669
-5	37,278	80	1,422
0	29,424	85	1,216
5	23,397	90	1,046
10	18,735	95	902.5
15	15,103	100	781.5
20	12,252	105	678.9
25	10,000	110	591.6
30	8,212	115	517.0
35	6,774	120	453.2
40	5,612	125	398.3

RESISTANCE @ +25°C = 10,000 Ω ± 5%
 BETA "β" (+25 TO +85°C) = 3,750°K NOMINAL
 POWER RATING = 400 mW/°C
 OPERATING TEMPERATURE RANGE = -40 TO +125°C

SEE MANUFACTURING SPECIFICATION (LAYER 1)



REV	REVISION RECORD	DATE	APP
"C"	ADDED RESISTANCE VERSUS TEMPERATURE CHART (WAS GZ)	02/26/04	DD
"B"	THICKNESS WAS 0.048" MAXIMUM	12/12/03	DD
"A"	ADDED BANDWIDTH DIMENSION	11/14/03	DD
NONE	RELEASE TO PRODUCTION	11/11/03	DD

SCALE NONE	U.S. SENSOR CORP. 1832 W. COLLINS AVE. ORANGE, CA. 92867 714-639-1000 www.ussensor.com
DRAWN BY DAN DANKERT	
DATE 11/11/03	
REV. "C"	
LAYER 0 OF 2	THERMISTOR, NTC CHIP P/N LR103G0J