

**WARRANTY
REGISTRATION**
Register online today for a chance
to win a FREE Tripp Lite product!
www.tripplite.com/warranty

Owner's Manual

SmartPro® 3U Rackmount (5000VA)

208V Input, 120/208V Output UPS System
Intelligent • Line-Interactive • Extended Run



Important Safety Instructions

2

Mounting

3

Connection

4

Basic Operation

6

Warranty Registration

10

Storage and Service

10

Specifications

10

Español

11

Français

21



1111 W. 35th Street, Chicago, IL 60609 USA
www.tripplite.com/support

Important Safety Instructions



SAVE THESE INSTRUCTIONS. This manual contains important instructions that should be followed during the installation, operation and storage of all Tripp Lite UPS Systems.

UPS Location Warnings

- Use caution when lifting UPS. Because of the considerable weight of all Rackmount UPS systems, at least two people should assist in lifting and installing them.
- Install your UPS indoors, away from excess moisture or heat, dust or direct sunlight.
- For best performance, the ambient temperature near your UPS should be between 32° F and 104° F (between 0° C and 40° C).
- Leave adequate space around all sides of the UPS for proper ventilation. Do not obstruct its vents or fan openings.

UPS Connection Warnings

- Connect your UPS to a properly grounded AC power outlet. Do not modify the UPS's plug in a way that would eliminate the UPS's connection to ground. Do not use adapters that eliminate the UPS's connection to ground.
- Do not plug your UPS into itself; this will damage the UPS and void your warranty.
- If you are connecting your UPS to a motor-powered AC generator, the generator must provide filtered, frequency-regulated computer-grade output. Connecting your UPS to a generator will void its Ultimate Lifetime Insurance (not available outside the US/Canada).

Equipment Connection Warnings

- Do not use Tripp Lite UPS Systems for life support applications in which a malfunction or failure of a Tripp Lite UPS System could cause failure or significantly alter the performance of a life-support device.

Battery Warnings

- Your UPS does not require routine maintenance. Do not open your UPS for any reason. There are no user-serviceable parts inside.
- Do not operate UPS without connecting it to one or more external battery packs unless you are performing hot-swap external battery replacement.
- When adding external battery packs, connect only Tripp Lite-recommended battery packs of the correct voltage and type. Do not connect or disconnect battery packs when the UPS is operating on battery power.
- During hot-swap external battery pack replacement, your UPS will not provide backup power in the event of a blackout or other power interruptions.

Mounting

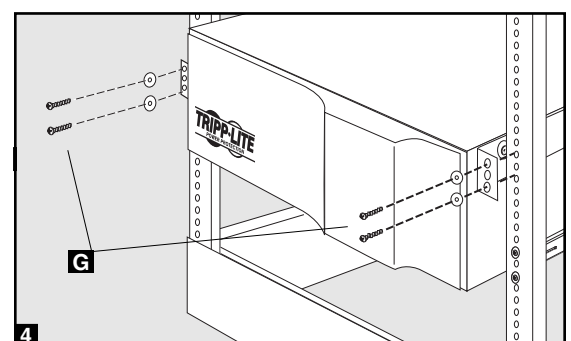
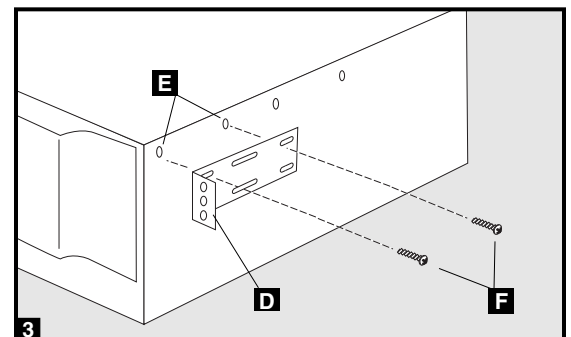
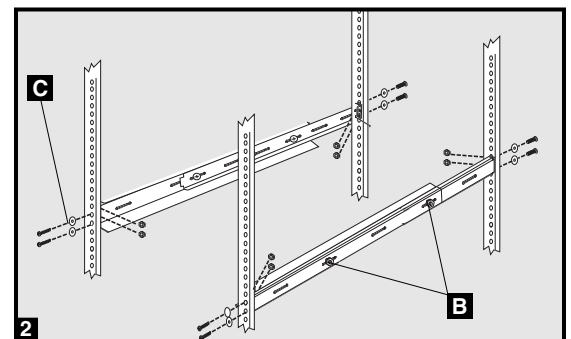
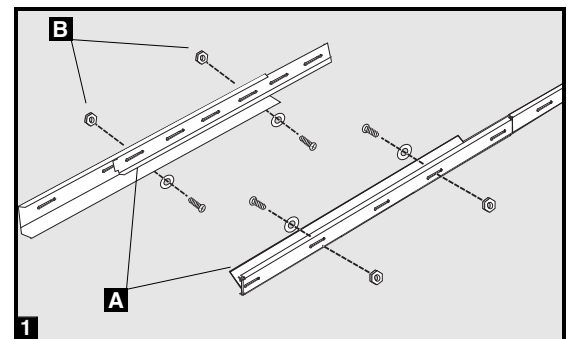
Your UPS may be rackmounted in 4- or 2-post racks. To mount the UPS in a 4-post rack, use the included hardware and follow the procedure outlined below. To mount the UPS in a 2-post rack, purchase the appropriate hardware, sold separately (order Tripp Lite model # 2POSTRMKIT). The procedures are for common rack types and may not be appropriate for all rack configurations. User must determine the fitness of rackmount hardware and procedures before mounting.

Color Selection

Your UPS is shipped with a grey front panel, 2 grey mounting ears and 2 black mounting ears. To match grey equipment, mount the grey ears in front. If you would like your UPS to match black equipment, you may request the alternate (black) front panel for 3U UPS systems (Tripp Lite part #AC4134) by calling (773) 869-1234.

Suggested Rackmount Installation for 4-Post Enclosures

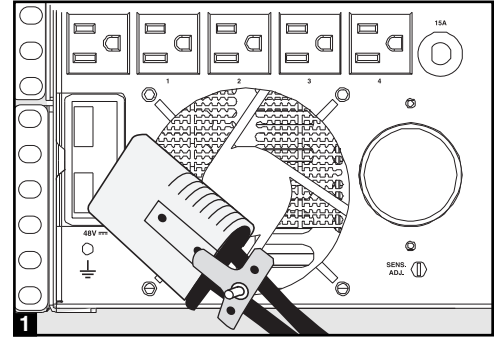
- 1** Connect the two segments of each shelf **A** using the included screws and nuts **B**. Leave the screws slightly loose so that the shelves can be adjusted in the next step.
- 2** Adjust each shelf to fit your rack, then mount them in the lowest available space of your rack with the screws, nuts and washers provided **C**. Note that the support ledges should face inward. Tighten the screws that connect the shelf segments **B**.
- 3** Attach mounting ears **D** to the front mounting holes of your equipment **E** using the screws provided **F**. The ears should face forward.
- 4** Using an assistant if necessary, lift your equipment and slide it onto the mounting shelves. Attach your equipment to the rack by passing user-supplied screws, nuts and washers **G** through its mounting ears and into the rack rails.



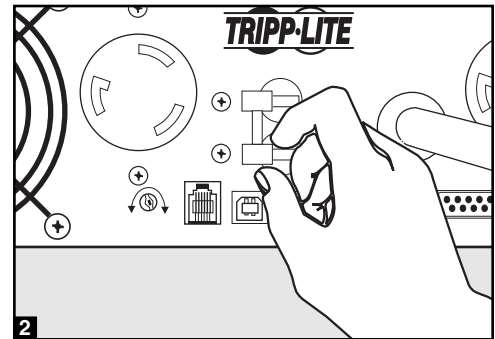
Connection

1 Connect a charged external battery pack to your UPS.

Your UPS has no internal batteries and must be connected to an external battery pack to operate. Complete installation and mounting instructions for your battery pack appear in the battery pack's Owner's Manual. Make sure that cables are fully inserted into their connectors. Small sparks may result during battery connection; this is normal. Your UPS will not start unless connected to a charged external battery pack.



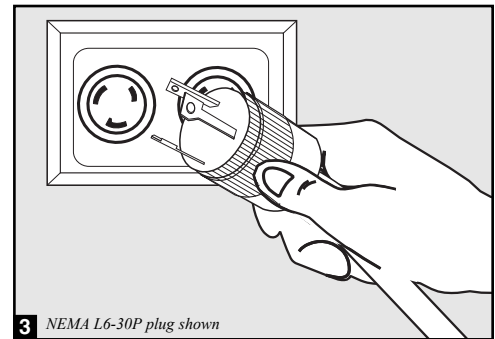
2 Set the double-pole input breaker to the "ON" position (towards the left side of the rear panel).



3 Plug your UPS's line cord into an electrical outlet.

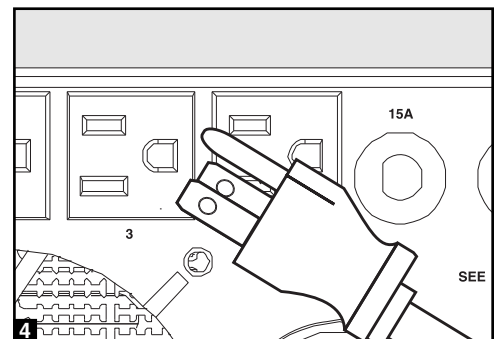
Once your UPS is plugged in, the UPS will enter **STANDBY** mode. The fan will activate and the "⚡" LED will begin flashing. The UPS system's outlets will not be active until the UPS is turned **ON**.

Your UPS features a 30-amp plug. However, a trained technician may replace this plug with a user-supplied 50-amp plug. This will alter the UPS's capabilities. See Specifications for more information.



4 Plug your equipment into your UPS.

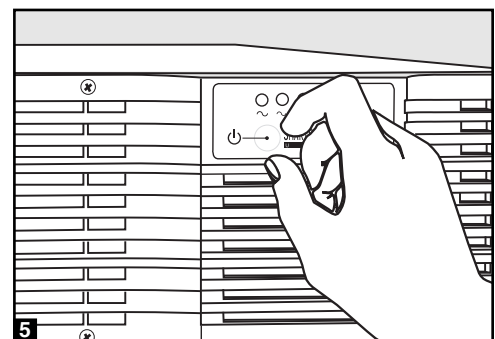
Your UPS is designed to support only computer equipment. You will overload your UPS if you connect household appliances, laser printers or surge suppressors to the UPS's outlets.



5 Turn your UPS ON.

- Press the "POWER" button
- Hold the button for a moment, until the "⚡" LED stops flashing and illuminates constantly
- Release the button

Your UPS is now **ON** and its AC outlets are active.

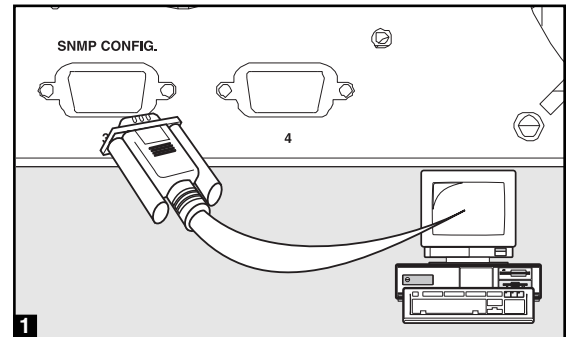


Connection *(Optional)*

Your UPS will function properly without these connections.

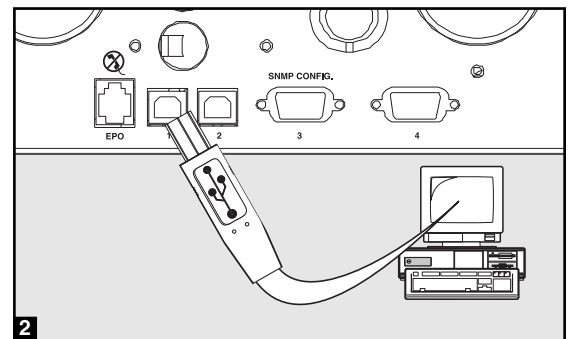
1 DB9 Port Connection

Using the DB9 cable provided, connect a DB9 port on your computer to a DB9 port on your UPS. On the computer, install the Tripp Lite power protection software appropriate to its operating system. A second computer with a DB9 port may be connected to the second DB9 port if desired.



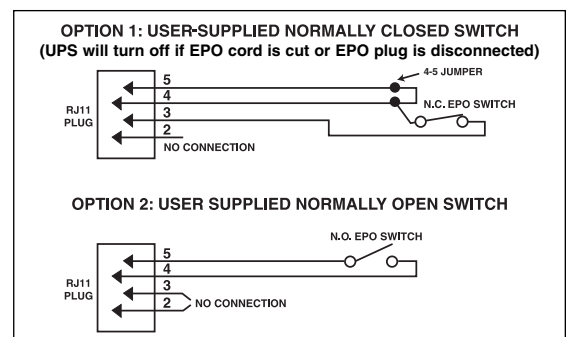
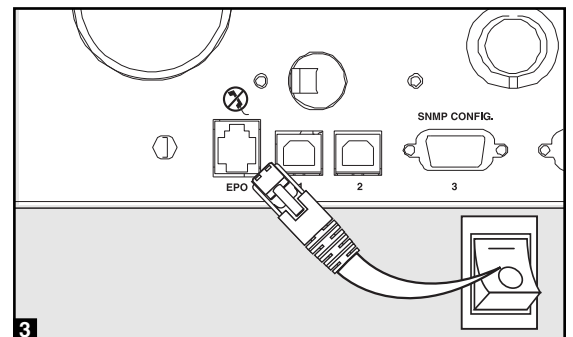
2 USB Port Connection

Using the USB cable provided, connect a USB port from a computer to a USB port on your UPS. On the computer, install the Tripp Lite power protection software appropriate to its operating system. A second USB computer may be connected to the second USB port if desired.



3 EPO Port Connection

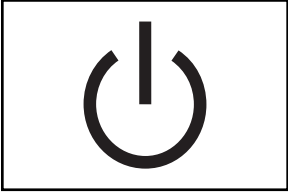
Using the RJ11 cable provided, connect the Emergency Power Off (EPO) port of your UPS to a user-supplied normally closed or normally open switch according to the circuit diagram below. The EPO port is not a phone line surge suppressor; do not connect a phone line to this port.



EPO Circuit Diagrams

Basic Operation

Buttons (Front Panel)



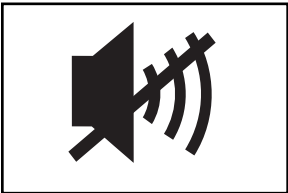
Use the **POWER** button to switch your UPS between its four modes of operation.

OFF: No indicator lights are on. The UPS is completely shut down for storage or shipping. If the UPS is connected to AC power, it will start up in **STANDBY** mode. If the UPS is not connected to AC power and the **POWER** button is pressed for two seconds, the UPS will “cold start” into **INVERT** mode.

STANDBY: The “∩” light is flashing. The UPS is receiving AC power and using it to charge its batteries, but its outlets are not active. Pressing the **POWER** button while the UPS is in **STANDBY** will put the UPS in the **ON** mode. Unplugging the UPS or cutting AC power while the UPS is in **STANDBY** will put the UPS in the **OFF** mode.

ON: The “∩” light is on. The UPS is receiving AC power, charging its batteries and delivering power to connected equipment. If AC power is lost while the UPS is **ON** (i.e. a blackout occurs), the UPS will switch into **INVERT** mode. Pressing the **POWER** button while the UPS is **ON** will put the UPS in **STANDBY** mode.

INVERT: The “☐” light is flashing. The UPS is powering connected equipment from battery backup. If AC power is restored, the UPS will switch to the **ON** mode. Pressing the **POWER** button while the UPS is in **INVERT** will put the UPS into the **OFF** mode. If the UPS is in **INVERT** and its batteries are drained, the UPS will switch to the **OFF** mode until AC power is restored, then switch to the **ON** mode.



Use the **MUTE/TEST** button to do two things:

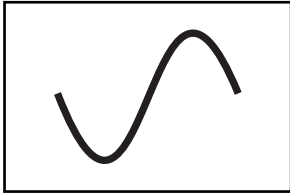
SILENCE ALARM: Your UPS has three alarms. The first, the **INVERT** alarm, emits four short beeps every ten seconds when the UPS is in **INVERT** mode, to warn you that AC power has failed. The second, the **OVERLOAD** alarm, emits short, rapid beeps when the UPS is in **INVERT** mode if the total power draw of connected equipment exceeds the UPS’s output capacity, to warn you to reduce the load. The third, the Low Battery alarm, emits a constant beep when the UPS is in **INVERT** mode and its batteries are very nearly depleted, to warn you that connected equipment must shut down. To silence the **INVERT** or **OVERLOAD** alarms, press the **MUTE/TEST** button. The **LOW BATTERY** alarm will only stop when the UPS switches to the **OFF** or **ON** mode.

SELF-TEST: If your UPS is in the **ON** mode and has a load connected, you may test its batteries by pressing the **MUTE/TEST** button for two seconds. The UPS will switch to **INVERT** mode for several seconds. Normally, the **INVERT** alarm (four short beeps) will sound, indicating that the system is working properly. If the **OVERLOAD** alarm (short, rapid beeps) sounds, reduce the load on the UPS. If the **LOW BATTERY** alarm (a constant beep) sounds, your UPS’s batteries may need replacing, your external battery connection may be loose or the batteries may simply be less than fully charged. Check the external battery connection, let the UPS charge for 12 hours, then perform a second self-test. If the **LOW BATTERY** alarm sounds again, contact Tripp Lite for service. Do not unplug your UPS to test its batteries, or you will remove safe electrical grounding and may introduce a damaging surge into your network connections.

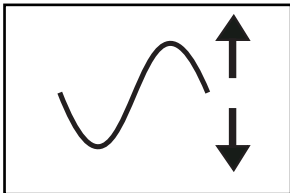
Basic Operation

Indicator Lights (Front Panel)

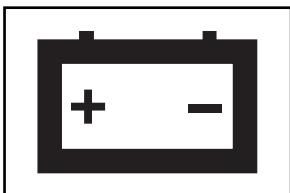
All Indicator Light descriptions apply when the UPS is plugged into a wall outlet and turned ON.



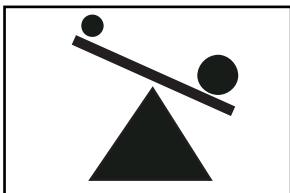
POWER: Lights green when the UPS is receiving AC power. Illuminates constantly when the UPS is in the **ON** mode, indicating that batteries are charging and connected equipment is receiving filtered AC power. Flashes while in **STANDBY** mode to indicate that batteries are charging but connected equipment is not receiving power.



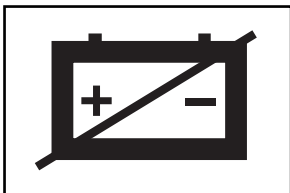
VOLTAGE CORRECTION: Lights green whenever your UPS is automatically correcting high or low AC line voltage. The UPS will also click gently. These are normal, automatic operations of your UPS, and no action is required on your part.



BATTERY CHARGE: This multicolored light displays 7 separate UPS battery charge conditions. It will turn from red (low) to yellow (medium) to green (full) to show you the level of battery charge. If the light is constant, your UPS is in the **ON** or **STANDBY** mode, operating from line power, and the battery is charging. If the light is flashing, your UPS is in the **INVERT** mode, operating from battery, and the battery is discharging. If the light is flashing red, your UPS is in **INVERT** and is nearly out of power: you should save files and shut down your equipment immediately.



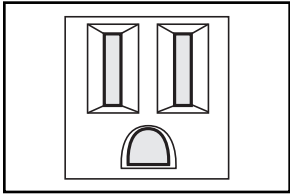
OUTPUT LOAD: This multicolored light shows how heavy your UPS's load is. Steady green indicates a light load, steady yellow a medium load. When the light is red, your UPS is supporting a load above 85% of its capacity. If the red light begins flashing, then your UPS is severely overloaded. Immediately remove load from the UPS until the light stops flashing.



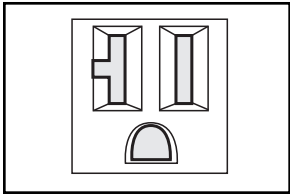
BATTERY WARNING: Lights red if your UPS's self-test (initiated with the Mute/Test Switch) reveals a low battery charge or internal fault. If this light turns on, let the UPS charge for 12 hours then perform a second self-test. If the light stays on, contact Tripp Lite for service.

Basic Operation

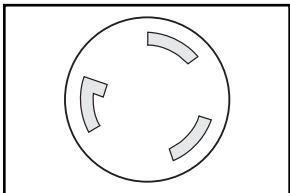
Other UPS Features (Rear Panel)



15 amp NEMA 5-15R



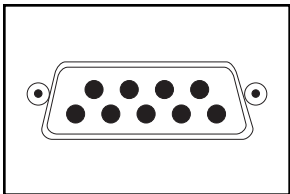
20 amp NEMA 5-20R



30 amp NEMA L6-30R

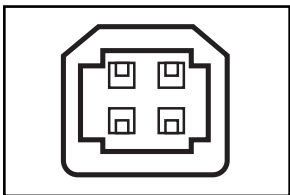
AC Receptacles

Your UPS features 15-amp, 20-amp and 30-amp AC outlets. These output receptacles provide your connected equipment with AC line power during normal operation and battery power during blackouts and brownouts. The UPS protects equipment connected to these receptacles against damaging surges and line noise. If you have a serial or USB connection to your UPS, you can remotely reboot connected equipment by turning the UPS OFF and ON using Tripp Lite's PowerAlert Software. Selected outlets may be remotely switched OFF and ON individually using Tripp Lite UPS software without interrupting power to equipment connected to the other outlets. The UPS also features unswitched outlets, which may not be individually switched OFF. See software instructions for details.



Smart DB9 Ports

Your UPS features 2 DB9 ports that may be used to connect the UPS to a DB9 port on any workstation or server. Use with Tripp Lite cabling and PowerAlert Software to monitor and manage network power and automatically save open files and shut down equipment during a blackout (see Connection.) The DB9 port labeled "SNMP Config" is also used while configuring Tripp Lite SNMP Adapters.



Smart USB Ports

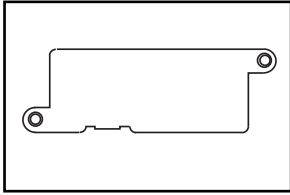
Your UPS features 2 USB ports that may be used to connect the UPS to a USB port on any workstation or server. Use with Tripp Lite cabling and PowerAlert Software to monitor and manage network power and automatically save open files and shut down equipment during a blackout (see Connection.)



EPO (Emergency Power Off) Port

Your UPS features a EPO port that may be used to connect the UPS to a contact closure switch to enable emergency inverter shutdown. (See Connection.)

Basic Operation



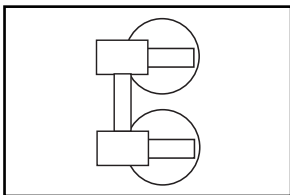
Accessory Slot

Remove the small cover panel from this slot to install optional accessories to remotely monitor and control your UPS. Refer to your accessory's manual for installation instructions. Contact Tripp Lite Customer Support at (773) 869-1234 for more information, including a list of available SNMP, network management and connectivity products.



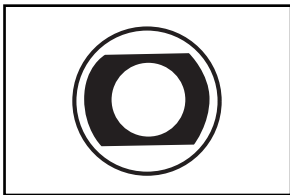
External Battery Connector

Use to connect your UPS to an external battery pack. The specifications section of this manual lists the Tripp Lite external battery packs that are compatible with your model. Refer to the instructions provided with the battery pack for complete connection information and safety warnings.



Input Breakers

Prevents high input current from damaging the UPS or the attached load. If this breaker trips, make sure your UPS is connected to nominal 208V AC power before resetting the circuit breaker by pushing the breaker levers to reset.



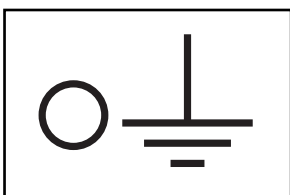
Output Breakers

Your UPS features 3 breakers that protect your UPS from output overload. If one or more breakers trip, remove some of the load on the circuit(s) and allow the UPS to cool before resetting the circuit(s) by pressing the breaker switch(es).



Power Sensitivity Adjustment

This dial is normally set fully counterclockwise, which enables the UPS to protect against waveform distortions in its AC input. When such distortion occurs, the UPS will normally switch to providing pure sine wave power from its battery reserves for as long as the distortion is present. In some such as in areas with poor utility power or where the UPS's input power comes from a backup generator, chronic waveform distortion could cause the UPS to switch to battery too frequently, draining its battery reserves. You may be able to reduce how often your UPS switches to battery due to waveform distortion by experimenting with different settings for this dial. As the dial is turned clockwise, the UPS becomes more tolerant of variations in its input power's AC waveform. NOTE: The further the dial is adjusted clockwise, the greater the degree of waveform distortion the UPS will allow to pass to connected equipment. When experimenting with different settings for this dial, operate connected equipment in a safe test mode so that the effect on the equipment of any waveform distortions in the UPS's output can be evaluated without disrupting critical operations.



Ground Screw

Use this to connect any equipment that requires a chassis ground.

Storage and Service

Warranty Registration

Visit www.tripplite.com/warranty today to register the warranty for your new Tripp Lite product. You'll be automatically entered into a drawing for a chance to win a FREE Tripp Lite product!*

* No purchase necessary. Void where prohibited. Some restrictions apply. See website for details.

Storage

Before storing your UPS, place it in the OFF mode by reversing the Connection procedure: use the POWER button to place the UPS in STANDBY mode; unplug the UPS; set the double-pole input breaker to the "OFF" position; disconnect the external battery pack. If you store your UPS for an extended period of time, recharge the UPS batteries once every three months by following Steps 1, 2 and 3 in the Connection section and allowing the UPS to charge its batteries for 4-6 hours before placing it back in storage. If you leave your UPS batteries discharged for an extended period of time, they will suffer a permanent loss of capacity.

Service

A variety of Extended Warranty and On-Site Service Programs are also available from Tripp Lite. For more information on service, visit www.tripplite.com/support. Before returning your product for service, follow these steps:

1. Review the installation and operation procedures in this manual to insure that the service problem does not originate from a misreading of the instructions.

2. If the problem continues, do not contact or return the product to the dealer. Instead, visit www.tripplite.com/support.
3. If the problem requires service, visit www.tripplite.com/support and click the Product Returns link. From here you can request a Returned Material Authorization (RMA) number, which is required for service. This simple on-line form will ask for your unit's model and serial numbers, along with other general purchaser information. The RMA number, along with shipping instructions will be emailed to you. Any damages (direct, indirect, special or consequential) to the product incurred during shipment to Tripp Lite or an authorized Tripp Lite service center is not covered under warranty. Products shipped to Tripp Lite or an authorized Tripp Lite service center must have transportation charges prepaid. Mark the RMA number on the outside of the package. If the product is within its warranty period, enclose a copy of your sales receipt. Return the product for service using an insured carrier to the address given to you when you request the RMA.

Specifications

	SMART5000RT3U with 30A plug*	SMART5000RT3U with 50A plug*
Series # (Power Module):	AGSM5000Y3U31	AGSM5000Y3U31
Series # (Battery Pack):	AGBP4860Y3U	AGBP4860Y3U
Output Capacity (VA/Watts):	4475(@208+120V)/4000	5000(@208V), 4800(@120V)/4000
Battery Runtime in Minutes (Half Load/Full Load):	38+/16+**	38+/16+**
Battery Recharge Time:	2-4 hrs.**	2-4 hrs.**
Approvals:	UL, cUL, NOM	UL, cUL, NOM

* The SMART5000RT3U features a 30A plug. A trained technician may replace it with an user-supplied 50A plug.

** Battery Runtime listed assumes connection to a single BP48V60RT3U external battery pack. Battery Runtime can be increased with additional external battery packs. Adding external battery packs will also increase recharge time.

Input Voltage (208V); Input Frequency (60 Hz); Online Input Voltage Range (151-260 volts); Voltage-Regulated Output Voltage Range (208/120V \pm 9%); On-Battery Output Voltage Range (208/120V \pm 5%); Output Waveform Line Mode (filtered sinewave); Output Waveform Battery Mode (sine wave); AC Surge Suppression (exceeds IEEE 587 Cat. A & B standards); AC Noise Attenuation (>40 dB); AC Surge Protection Modes (H to N, H to G, N to G); Compatible Battery Packs (BP48V60RT3U).

This device complies with part 15 of the FCC Rules. Operation is subject to the following two conditions: (1) This device may not cause harmful interference, and (2) this device must accept any interference received, including interference that may cause undesired operation.

Note: This equipment has been tested and found to comply with the limits for a Class A digital device, pursuant to part 15 of the FCC Rules. These limits are designed to provide reasonable protection against harmful interference when the equipment is operated in a commercial environment. This equipment generates, uses, and can radiate radio frequency energy and, if not installed and used in accordance with the instruction manual, may cause harmful interference to radio communications. Operation of this equipment in a residential area is likely to cause harmful interference in which case the user will be required to correct the interference at his own expense.

Tripp Lite has a policy of continuous improvement. Specifications are subject to change without notice.

Note on Labeling

Two symbols are used on the label.

V~ : AC Voltage

V--- : DC Voltage

Manual de Operación

SmartPro® 3U Rackmount (5000VA)

(para montaje en bastidor o rack)

Sistema UPS (no-break) con 208V de entrada y 120/208V de salida

Inteligente • Interactivo en línea • Uso prolongado

Importantes Instrucciones de Seguridad

12

Montaje

13

Conexión

14

Operación Básica

16

Almacenaje y Servicio

20

Especificaciones

20

English

1

Français

21



1111 W. 35th Street, Chicago, IL 60609 USA
www.tripplite.com/support

©2012 Tripp Lite. Todos los derechos reservados. SmartPro® es una marca registrada de Tripp Lite.



GUARDE ESTAS INSTRUCCIONES. Este manual contiene advertencias e instrucciones importantes que deben seguirse durante la instalación, operación y almacenaje de todos los no-breaks / sistemas UPS de Tripp Lite.

Advertencias Sobre la Instalación

- Levante con cuidado los UPS. Debido al considerable peso de los sistemas UPS para montaje en rack, su transporte e instalación deberá ser realizada al menos por dos personas.
- Instale el sistema UPS bajo techo, alejado de calor o de la humedad excesiva, del polvo o de la luz solar directa.
- Para obtener mejores resultados, mantenga la temperatura ambiental entre 0° C y 40° C (entre 32° F y 104° F).
- Mantenga espacio suficiente alrededor del sistema UPS para permitir una ventilación adecuada. No obstruya las ranuras ni las salidas del ventilador.

Advertencias Sobre la Conexión

- Conecte su sistema UPS a una toma de energía de CA con conexión adecuada a tierra. No modifique la clavija de tal manera que se elimine la conexión a tierra. No utilice adaptadores que eliminan la línea de conexión a tierra.
- No conecte el sistema UPS a sí mismo; esto lo dañará y anulará su garantía.
- Si conecta el sistema UPS a un generador motorizado de energía de CA, el generador debe suministrar energía filtrada y limpia, apta para computadoras. La conexión de su sistema UPS a un generador anulará el Seguro Vitalicio Básico (no disponible fuera de EE.UU. o Canadá).

Advertencias Sobre la Conexión de Equipos

- No utilice los sistemas UPS de Tripp Lite en aplicaciones para el soporte de la vida humana en los cuales una falla o mal funcionamiento de los mismos pueda causar anomalías o alterar significativamente el rendimiento del dispositivo de soporte de vida.

Advertencias Sobre las Baterías

- Su sistema UPS no requiere mantenimiento rutinario alguno. No abra el sistema UPS por ningún motivo. No hay partes internas a las que el usuario pueda dar servicio.
- No utilice el sistema UPS sin conectarlo con uno o más bancos de baterías externas, a menos que se trate de un reemplazo de baterías externas mientras el equipo se encuentra encendido.
- Cuando añada bancos de baterías externas, use únicamente bancos del voltaje y tipo recomendados por Tripp Lite. No conecte ni desconecte los bancos de baterías cuando el sistema UPS está operando mediante sus baterías.
- Durante el intercambio instantáneo de las baterías mientras el equipo se encuentra encendido, el sistema UPS no suministrará energía de respaldo en caso de producirse un apagón o cualquier otro tipo de interrupción del suministro eléctrico.

Montaje

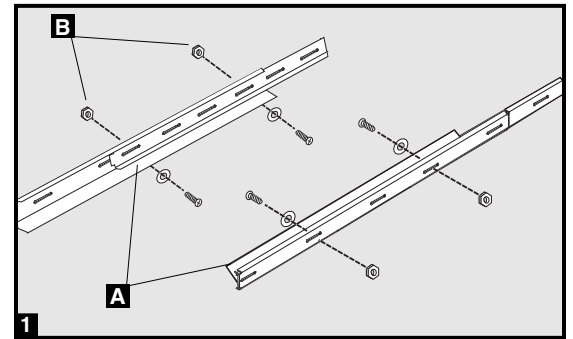
El sistema UPS se monta en bastidores (racks) de 2 o de 4 soportes. Para montar el UPS en un bastidor de cuatro postes, utilice los materiales de montaje incluidos y siga los procedimientos descritos a continuación. Para montar el UPS en un bastidor de dos postes, deberá comprar los materiales apropiados, vendidos aparte (ordene el modelo Tripp Lite # 2POSTRMKIT). Los procedimientos de montaje sugerido se refieren a los tipos de rack más comunes y podrían no ser apropiados para todas las configuraciones de rack posibles. El usuario debe determinar el equipo y los procedimientos de montaje más apropiados antes de efectuar el montaje.

Selección del color

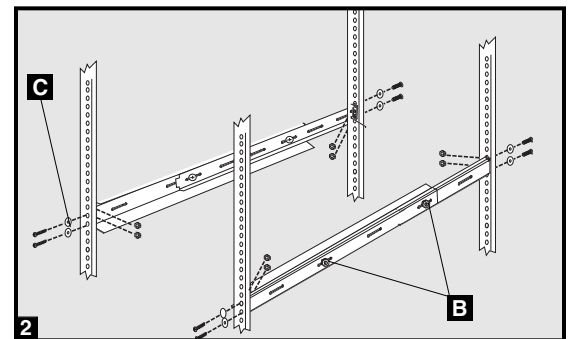
El sistema UPS se entrega con un panel delantero color gris, dos lengüetas de montaje grises y dos negras. Para hacer juego con el equipo gris, monte las lengüetas de este color al frente. Si desea que el sistema UPS haga juego con el equipo negro, solicite el panel frontal correspondiente (color negro) al UPS de 3U (número de parte Tripp Lite #AC4134), llamando al (773) 869-1234.

Instalación sugerida en bastidor (rack) con 4 soportes

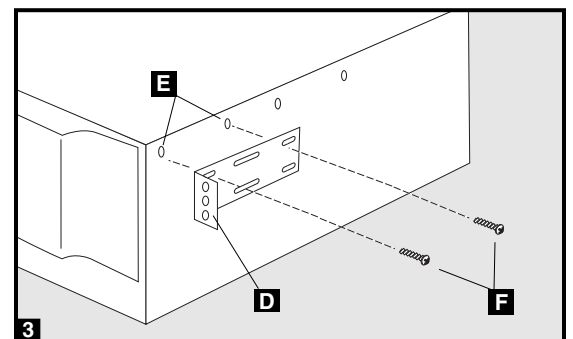
1 Conecte los dos segmentos de cada anaquel **A** usando los tornillos y las tuercas **B** incluidas. Deje los tornillos ligeramente flojos de modo que los anaqueles puedan ajustarse en el siguiente paso.



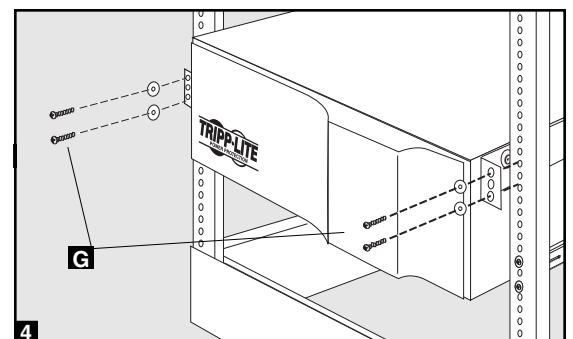
2 Ajuste cada anaquel para que se adapte a su rack, y luego instálelos en el espacio más bajo disponible del rack con los tornillos, las tuercas y las arandelas suministradas **C**. Note que los bordes de apoyo deben mirar hacia adentro. Apriete los tornillos que conectan los segmentos de los anaqueles **B**.



3 Fije las orejas de montaje **D** a los agujeros de montaje de la parte delantera de su equipo **E** usando los tornillos suministrados **F**.



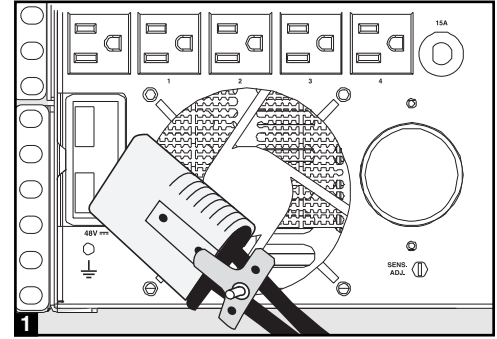
4 Con la ayuda de otra persona si fuera necesario, levante su equipo y deslícelo en los anaqueles de montaje. Fije su equipo al bastidor pasando los tornillos **G**, las tuercas y arandelas suministrados por el usuario a través de las orejas de montaje y en los rieles del bastidor.



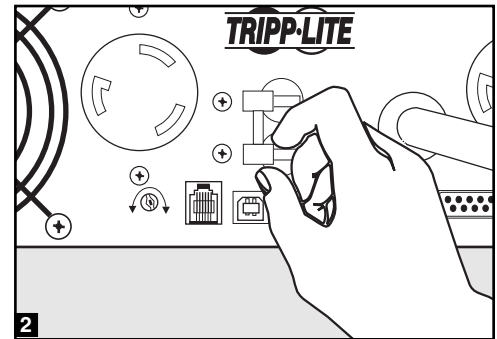
Conexión

1 Conecte a su sistema UPS un banco de baterías externas cargado.

Su sistema UPS no cuenta con baterías internas, y debe estar conectado a un banco externo de baterías para que pueda funcionar. Siga las instrucciones para la instalación y el montaje del banco de baterías del manual de operación del mismo. Asegúrese de que los cables estén perfectamente insertados dentro de sus respectivos conectores. Es normal que durante la conexión de la batería se produzcan algunas chispas. El sistema UPS no funcionará hasta que esté conectado a un banco externo de baterías cargadas.



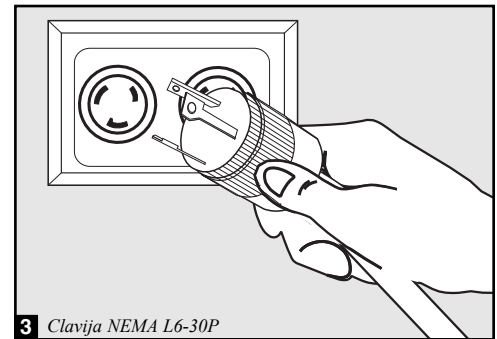
2 Coloque el breaker de doble polo en posición de "ENCENDIDO" (hacia el lado izquierdo del panel trasero).



3 Enchufe el cable del sistema UPS a una toma eléctrica.

Una vez conectado el sistema UPS, éste se encuentra en modo STANDBY (reserva). Se activa el ventilador y el LED "⚡" empieza a parpadear. Las tomas del sistema UPS no se activarán hasta encender el sistema.

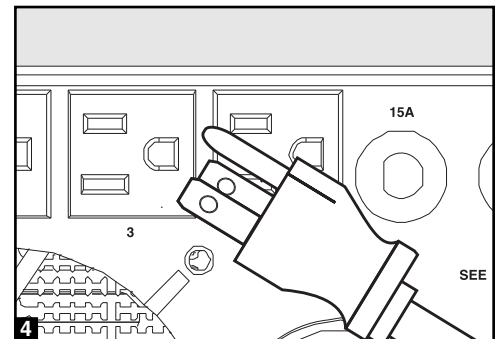
Este sistema UPS cuenta con una clavija para 30 amp. Sin embargo, un técnico debidamente capacitado puede cambiar esta clavija por una de 50 amp proporcionada por el usuario. Lo anterior producirá una alteración en la capacidad del sistema UPS. Para obtener mayor información, consulte las especificaciones.



3 Clavija NEMA L6-30P

4 Enchufe su equipo al sistema UPS.

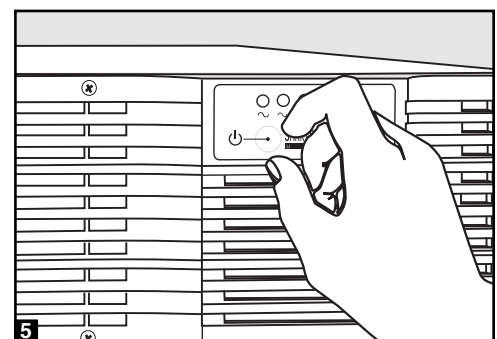
Este sistema UPS está diseñado para respaldar únicamente equipo de cómputo. Usted lo sobrecargará si conecta electrodomésticos, impresoras láser o supresores de pico a las tomas del dispositivo.



5 Encienda su sistema UPS (ON).

- Oprima el botón "POWER" (alimentación)
- Presione el botón durante un momento, hasta que el LED "⚡" deje de parpadear y se mantenga encendido
- Deje de oprimir el botón

El sistema UPS ya está encendido y sus salidas de CA están activas.

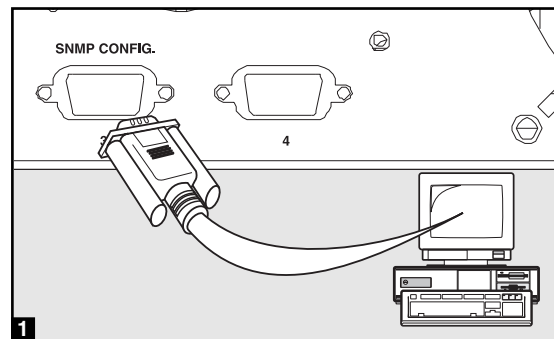


Conexiones (Opcionales)

El sistema UPS funcionará apropiadamente sin estas conexiones.

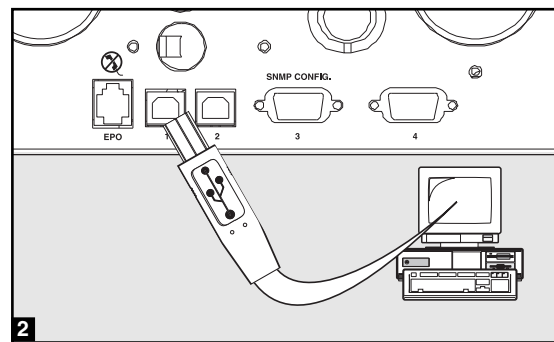
1 Conexión de Puerto DB9

Con ayuda del cable DB9 proporcionado, conecte un puerto DB9 de su computadora a un puerto DB9 de su sistema UPS. Instale en la computadora el software de protección de energía de Tripp Lite que corresponda al sistema operativo. Si así lo desea, puede conectar otra computadora que tenga un puerto DB9 al segundo puerto DB9.



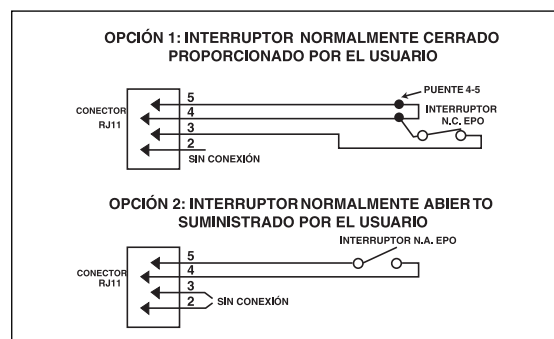
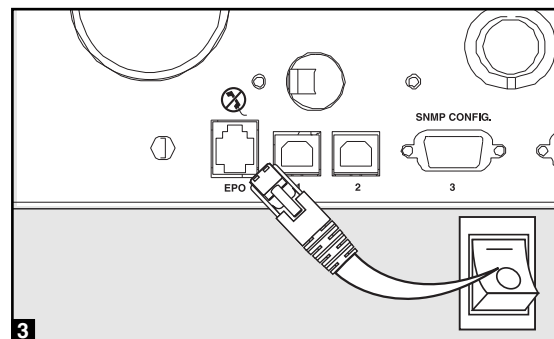
2 Conexión con un puerto USB

Con ayuda del cable USB proporcionado, conecte un puerto USB de una computadora a un puerto USB de su sistema UPS. Instale en la computadora el software de protección de energía de Tripp Lite que corresponda al sistema operativo. Si así lo desea, es posible conectar otra computadora al segundo puerto USB.



3 Conexión con un puerto EPO

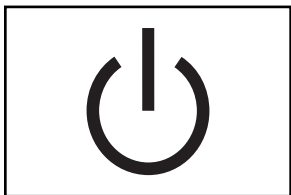
Con el cable RJ11 proporcionado, conecte el puerto para desconexión de emergencia (EPO) de su sistema UPS con un interruptor normalmente abierto o cerrado, proporcionado por el usuario, de acuerdo con el diagrama siguiente. El puerto EPO no es un supresor de picos para línea telefónica, por lo que no deberá conectarlo con este tipo de líneas.



Diagramas de circuitos EPO

Operación Básica

Botones (Panel Frontal)



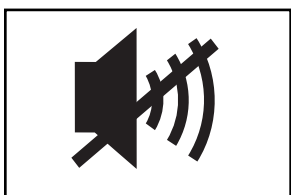
Para elegir alguno de los cuatro modos de funcionamiento del sistema UPS, use el botón **POWER** (alimentación).

OFF (apagado): No están encendidas las luces del indicador. El sistema UPS está completamente apagado para efectos de almacenamiento o transporte. Si se conecta el sistema UPS a la energía de CA, arrancará en la modalidad **STANDBY** (reserva). De no ser así, y si se oprime durante dos segundos el botón **POWER** el sistema UPS “arranca en frío” en la modalidad **INVERT** (invertir).

STANDBY (reserva): La luz indicadora “^” parpadea. El sistema UPS recibe voltaje de CA mediante el cual carga sus baterías; sin embargo, sus tomas no están activas. Si se oprime el botón **POWER** cuando el sistema UPS está en **STANDBY** el sistema UPS pasará al modo **ON** (encendido). Si desenchufa el sistema UPS o se interrumpe el suministro de CA estando dicho sistema en **STANDBY** esto hará que el UPS quede en modo **OFF** (apagado).

ON (encendido): La luz indicadora “^” está encendida. El sistema UPS recibe energía de CA, carga sus baterías y alimenta al equipo que esté conectado. Si se interrumpe la energía de CA mientras el sistema UPS está encendido (por ejemplo, se produce un apagón), el UPS cambia al modo **INVERT** (invertir). Si se oprime el botón **POWER** cuando el sistema UPS está en **ON** (encendido), el sistema pasará al modo **STANDBY** (reserva).

INVERT (invertir): La luz indicadora “☐” parpadea. El sistema UPS alimenta al equipo que tiene conectado mediante el respaldo de batería. Si se restaura la energía de CA, el sistema UPS cambia a modo **ON** (encendido). Si se oprime el botón **POWER** cuando el sistema UPS está en **INVERT**, el UPS pasará al modo **OFF** (apagado). Si el sistema UPS está en modo **INVERT** y sus baterías se agotan, el UPS cambiará al modo **OFF** hasta que se restaure la energía de CA; cuando esto suceda, cambiará a modo **ON**.



Use el botón **MUTE/TEST** (silenciar / probar) para hacer lo siguiente:

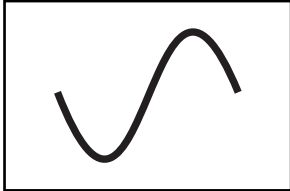
Silenciar la alarma: El sistema UPS cuenta con tres alarmas. La primera es la alarma **INVERT**. Cuando el sistema UPS está en modo **INVERT**, produce cuatro sonidos breves cada diez segundos para advertirlo de que hay una interrupción en la energía de CA. La segunda alarma es la **OVERLOAD** (sobrecarga). Cuando el sistema UPS está en modo **INVERT**, y si el consumo de voltaje total del equipo que está conectado excede la capacidad de salida del sistema, emite sonidos rápidos y breves para avisarle de la necesidad de reducir la carga. La tercera alarma es la de Low Battery (batería baja). Cuando el sistema UPS está en modo **INVERT** y las baterías están casi agotadas, emite un sonido constante para advertirlo de la necesidad de apagar todo el equipo que está conectado. Para silenciar las alarmas **INVERT** u **OVERLOAD** oprima el botón **MUTE/TEST** (silenciar / apagar). La alarma **LOW BATTERY** se silenciará sólo cuando los interruptores del sistema UPS están en modo **OFF** u **ON**.

Prueba de Baterías y Alarmas: Si el sistema UPS está en modo **ON** y tiene carga conectada, usted puede probar las baterías oprimiendo el botón **MUTE/TEST** (silenciar/prueba) durante dos segundos. El sistema UPS cambiará al modo **INVERT** durante varios segundos. Normalmente, debe sonar la alarma **INVERT** (cuatro sonidos breves), indicando así que el sistema funciona adecuadamente. Si suena la alarma **OVERLOAD** (sonidos breves y rápidos), reduzca la carga del sistema UPS. Si suena la alarma **LOW BATTERY** (sonido constante), es probable que sea necesario reemplazar las baterías del sistema UPS, o que la conexión de la batería externa esté floja, o que las baterías no estén totalmente cargadas. Revise la conexión de la batería externa, deje cargando el sistema UPS durante 12 horas, entonces realice una segunda prueba. Si la alarma **LOW BATTERY** (batería baja) continúa sonando, póngase en contacto con Tripp Lite para solicitar servicio técnico. Para probar las baterías de su sistema UPS no desconecte éste; de lo contrario, podría eliminar la conexión a tierra e introducir una peligrosa sobretensión en las conexiones de su red.

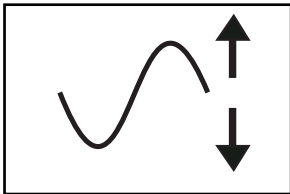
Operación Básica

Luces Indicadoras (Panel Frontal)

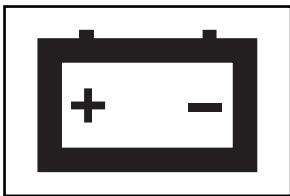
Todas las descripciones de las luces indicadoras son válidas mientras el no-break / sistema UPS esté conectado a una toma de energía eléctrica y esté encendido.



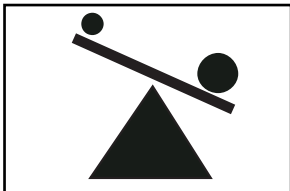
ALIMENTACIÓN: Cuando el sistema UPS recibe energía de CA las luces son verdes. Permanecen encendidas cuando el sistema UPS están en modo ON (encendido), lo cual indica que las baterías se están cargando y el equipo conectado está recibiendo energía de CA filtrada. Parpadea cuando está en modo STANDBY (reserva), indicando así que las baterías se están cargando pero que el equipo conectado no está recibiendo energía.



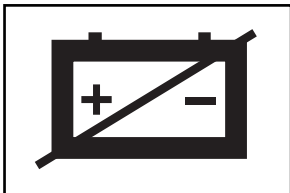
CORRECCIÓN DE VOLTAJE: Se ilumina de color verde cuando el sistema UPS corrige automáticamente un voltaje de línea CA alto o bajo. El UPS producirá ligeros chasquidos. Se trata de un funcionamiento normal y automático de su sistema UPS, y no requiere de acción alguna de su parte.



RECARGA DE BATERÍAS: Esta luz multicolor despliega 7 condiciones diferentes de la recarga de las baterías del sistema UPS. Pasa del rojo (bajo nivel) al amarillo (nivel medio) hasta llegar al verde (carga total), indicando así el nivel de la carga de las baterías. Si la luz es permanente, el sistema UPS está en modo ON o STANDBY, el UPS está operando con la energía comercial y la batería se está cargando. Si la luz parpadea, el sistema UPS está en modo INVERT, funciona con la energía de las baterías y ésta se está descargando. Si la luz produce parpadea en color rojo, el sistema UPS está en modo INVERT y casi no cuenta con energía por lo que usted deberá guardar sus archivos y apagar su equipo de inmediato.

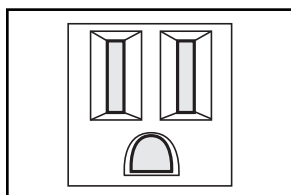


CARGA DE SALIDA: Esta luz multicolor indica la magnitud de la carga de su sistema UPS. La luz verde continua indica una carga ligera; una luz amarilla continua, una carga mediana. Cuando la luz es roja, el sistema UPS alimenta una carga que rebasa el 85% de su capacidad. Si la luz roja empieza a parpadear, su sistema UPS está peligrosamente sobrecargado. Desconecte de inmediato la carga del sistema UPS hasta que la luz deje de parpadear.

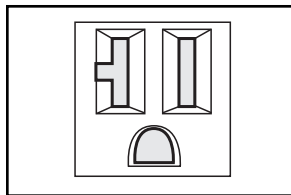


ADVERTENCIA SOBRE LA BATERÍA: La luz es roja si la prueba del sistema UPS (iniciando mediante el interruptor Mute/Test) indica que la carga de la batería es baja o hay una falla interna. Si esta luz se enciende, deje cargando al sistema UPS durante 12 horas, entonces realice una segunda prueba. Si permanece encendida en forma continua, póngase en contacto con Tripp Lite para solicitar servicio técnico.

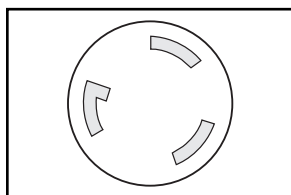
Otras Funciones del Sistema UPS (Panel Posterior)



15 amp NEMA 5-15R



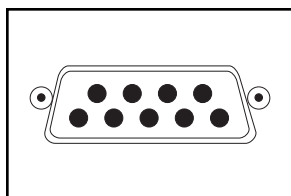
20 amp NEMA 5-20R



30 amp NEMA L6-30R

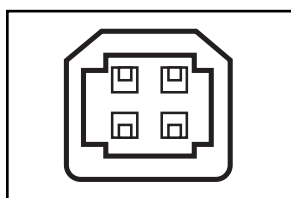
Contactos de AC

El sistema UPS cuenta con tomas de CA de 15 amp, 20 amp y 30 amp. Los contactos de salida de su no-break/ sistema UPS suministran energía de CA al equipo conectado durante condiciones normales de operación y energía de batería durante apagones y caídas de voltaje. El sistema UPS protege al equipo que está conectado en estos contactos contra daños causados por picos y ruido de línea. En caso de que hubiera conexiones USB en su sistema UPS, para reiniciar de manera remota el equipo conectado, encienda y apague el sistema UPS con ayuda del software PowerAlert de Tripp Lite. Para encender y apagar de manera remota e individual el equipo conectado a algunos contactos, se usa el software del sistema UPS Tripp Lite, sin necesidad de interrumpir el suministro de energía al resto del equipo conectado a los otros contactos. El sistema UPS también cuenta con contactos sin conmutación, los cuales no es posible apagar de manera independiente. Para mayores detalles, consulte las instrucciones relativas al software.



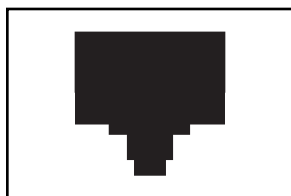
Puertos DB9 inteligentes

El sistema UPS cuenta con dos puertos DB9 mediante los cuales se conecta con el puerto DB9 de una estación de trabajo o servidor. Utilice junto con el cableado Tripp Lite y con el software PowerAlert para monitorear y administrar la alimentación de la red, guardar automáticamente archivos que estén abiertos y apagar el equipo en caso de producirse un apagón (véase Conexión). El puerto DB9 identificado como “SNMP Config” también se utiliza para configurar los adaptadores SNMP de Tripp Lite.



Puertos USB inteligentes

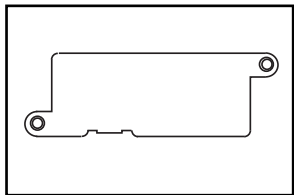
El sistema UPS cuenta con dos puertos USB mediante los cuales se conecta con el puerto USB de una estación de trabajo o servidor. Utilice junto con el cableado Tripp Lite y el software PowerAlert para monitorear y administrar la alimentación de la red, para guardar automáticamente archivos que estén abiertos y para apagar el equipo en caso de producirse un apagón (véase Conexión).



Puerto EPO (apagado de emergencia, Emergency Power-Off)

El sistema UPS cuenta con un puerto EPO mediante el cual se conecta con un interruptor de cierre por contacto para la activación del paro de emergencia del inversor. Véase Conexión.

Operación Básica



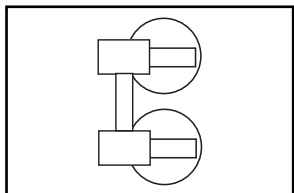
Ranura para accesorios

Retire el pequeño panel que cubre esta ranura para instalar accesorios opcionales utilizados en el monitoreo y control remoto del sistema UPS. Consulte las instrucciones para la instalación que se detallan en el manual de accesorios. Póngase en contacto con el servicio de atención al cliente de Tripp Lite llamando al (773) 869-1234 para obtener más información, incluyendo una lista de los productos disponibles de SNMP, de administración de redes y de conectividad.



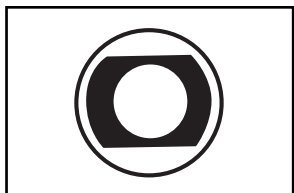
Conector de baterías externas

Para conectar el sistema UPS con un banco de baterías externas. En la sección de especificaciones de este manual se encuentra una lista de los bancos de baterías externas Tripp Lite que son compatibles con su modelo. Para obtener información completa sobre conexiones y advertencias de seguridad, consulte las instrucciones que vienen con el banco de baterías.



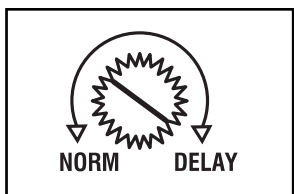
Corto circuito de entrada

Impide que una corriente de entrada elevada dañe al sistema UPS o a la carga. Si este corto circuito se dispara, asegúrese de que el sistema UPS esté conectado a una energía nominal de 208V CA antes de restablecer el corto circuito (empujando las pestañas del interruptor a la posición de restablecimiento).



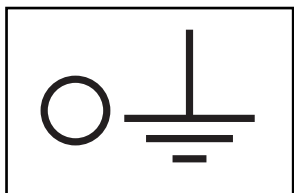
Corto circuitos de salida

El sistema UPS cuenta con tres corto circuitos que lo protegen de una sobrecarga en la salida. Si uno o varios de los interruptores se dispararan, desconecte algunas de las cargas de los circuitos; esto permitirá que el UPS se enfríe, antes de proceder a reestablecer el circuito o circuitos, oprimiendo el o los interruptores de los corto circuitos.



Ajuste de la sensibilidad de la energía eléctrica

Este indicador normalmente está ajustado totalmente en sentido contrario a las manecillas del reloj; ello permite proteger al UPS de distorsiones en el modo de onda presentes en la entrada de CA. Cuando se producen dichas distorsiones, el sistema UPS normalmente hace un cambio para entregar una alimentación sinusoidal pura mediante sus baterías y durante todo el tiempo que permanezca la distorsión. En el caso de regiones en las cuales el suministro de energía es deficiente, o en aquellos casos en los que el sistema UPS se alimenta con un generador de respaldo, una distorsión crónica en los modos de onda de la alimentación provoca que dicho sistema cambie con demasiada frecuencia a la alimentación por baterías, con lo cual se agotan las reservas de éstas. Para reducir la frecuencia con la cual el sistema UPS recurre a las baterías debido a la distorsión de los modos onda, haga pruebas con diversos valores de este indicador. Conforme se va dando vuelta al indicar en sentido a las manecillas del reloj, el sistema UPS es más tolerante de las variaciones que se producen en la onda de la energía de CA. NOTA: Cuando más se recorra el indicador en sentido a las manecillas del reloj, mayor será el grado de distorsión del modo de onda que el sistema UPS permitirá que pase al equipo que tiene conectado. Cuando se experimente con diferentes posiciones de este indicador, opere el equipo conectado en modo de prueba protegido, de tal modo que sea posible evaluar el efecto producido en el equipo por las distorsiones de onda de salida del sistema UPS, y sin perturbar operaciones importantes.



Tornillo de tierra

Sirve para conectar equipo que requiere de una tierra para chasis.

Almacenaje y Servicio

Almacenaje

Antes de almacenar su UPS, coloquelo en modo de apagado invirtiendo el procedimiento de la conexión: use el botón de ENCENDIDO para colocar el UPS en modo STANDBY; desconecte el UPS; coloque el breaker de doble polo en la posición “APAGADO”; desconecte el módulo de baterías externas. Si guarda su sistema UPS durante un periodo prolongado, recargue las baterías del sistema cada tres meses, de acuerdo con lo indicado en los pasos 1, 2 y 3 de la sección Conexión; el sistema UPS deberá cargar las baterías entre 4 y 6 horas, antes de volverlo a guardar. Si deja descargadas las baterías durante un periodo de tiempo prolongado, sufrirán una pérdida permanente de capacidad.

Servicio técnico

Su producto Tripp Lite está cubierto por la garantía descrita en este manual. Tripp Lite también pone a su disposición una variedad de Garantías extendidas y Programas de servicio técnico en el sitio. Si desea más información sobre el servicio técnico, visite www.tripplite.com/support. Antes de devolver su producto para servicio técnico, siga estos pasos:

1. Revise la instalación y los procedimientos de operación que se encuentran en este manual para asegurarse de que el problema de servicio no se debe a una mala lectura de las instrucciones.

2. Si el problema persiste, no se comunique ni devuelva el producto al mayorista. En cambio, visite www.tripplite.com/support.

3. Si el problema exige servicio técnico, visite www.tripplite.com/support y haga clic en el enlace Devoluciones de productos. Desde aquí puede solicitar un número de Autorización de Material Devuelto (RMA), que se necesita para el servicio técnico. En este sencillo formulario en línea se le solicitarán los números de serie y modelo de la unidad, junto con otra información general del comprador. El número RMA y las instrucciones para el envío se le enviarán por correo electrónico. La presente garantía no cubre ningún daño (directo, indirecto, especial o consecuencial) del producto que ocurra durante el envío a Tripp Lite o a un centro de servicio técnico de Tripp Lite autorizado. Los productos enviados a Tripp Lite o a un centro de servicio técnico de Tripp Lite autorizado deben tener prepagos los cargos de transporte. Escriba el número RMA en el exterior del embalaje. Si el producto se encuentra dentro del período de garantía, adjunte una copia de su recibo de venta. Envíe el producto para servicio técnico mediante un transportador asegurado a la dirección que se le proporcionó cuando solicitó el número RMA.

Especificaciones

	SMART5000RT3U con clavija de 30A*	SMART5000RT3U con clavija de 50 A*
Serie #: (Módulo de energía):	AGSM5000Y3U31	AGSM5000Y3U31
Serie #: (Módulo de batería):	AGBP4860Y3U	AGBP4860Y3U
Capacidad de Salida (VA/Vatios):	4475(@208+120V)/4000	5000(@208V), 4800(@120V)/4000
Tiempo de Respaldo de Batería en Minutos (Media carga / Carga completa):	38+/16+**	38+/16+**
Tiempo de Recarga de la Batería:	2-4 hrs.**	2-4 hrs.**
Certificaciones:	UL, cUL, NOM	UL, cUL, NOM

* El SMART5000RT3U presenta una clavija de 30A. Un técnico capacitado puede reemplazarla por una clavija de 50A suministrada por el usuario.

** El tiempo de respaldo de batería indicado asume la conexión a un solo banco externo de baterías BP48V60RT3U. El tiempo de respaldo de batería puede ser incrementado con la adición de más bancos externos de baterías. La adición de bancos externos de baterías también incrementará el tiempo de recarga.

Voltaje de entrada (208V); Frecuencia de entrada (60 Hz); Intervalo de voltaje de entrada en línea (151-260 volts); Intervalo de voltaje de salida con voltaje regulado (208/120V ± 9%); Intervalo de voltaje de salida en la batería (208/120V ± 5%); Modo de la forma de onda de salida de la línea (onda sinusoidal filtrada); Modo de la forma de onda de salida de la batería (onda sinusoidal); Supresión de picos para CA (excede las normas IEEE, 587 Categorías A y B); Atenuación de Ruidos de CA (>40 dB); Modos de Protección de CA (Positivo a Neutro, Positivo a Tierra y Neutro a Tierra); Bancos de baterías compatibles (BP48V60RT3U).

Este dispositivo cumple con la sección 15 de las reglas de la FCC. La operación adecuada está sujeta a las siguientes dos condiciones: (1) Este dispositivo no debe causar interferencias dañinas, y (2) este dispositivo debe aceptar cualquier interferencia recibida, incluyendo la interferencia que podría causar una operación no intencional.

Nota: Este equipo se ha probado y cumple con los límites para dispositivos digitales de Clase A, de conformidad con la sección 15 de las reglas de la FCC. Estos límites están diseñados para brindar protección razonable en contra de interferencia dañina cuando se opera el equipo en un ambiente comercial. Este equipo genera, utiliza y puede radiar energía de radiofrecuencia, y si no se instala y utiliza de acuerdo con el manual de operación, puede causar interferencia dañina a las comunicaciones de radio. La operación de este equipo en un área residencial es probable que cause interferencia dañina, en cuyo caso se le pedirá al usuario que corrija la interferencia a su propio costo.

La política de Tripp Lite es de mejora continua. Las especificaciones están sujetas a cambios.

Notas en el etiquetado

Se usan dos símbolos en las etiquetas

V~ : Voltaje CA

V : Voltaje CD

Guide de l'utilisateur

SmartPro® Bâti de 3 unités (5000VA)

Entrée de 208V, Système UPS doté d'une sortie de 120/208V

Intelligent • Intéraction de ligne • Exécution prolongée

Importantes consignes de sécurités

22

Montage

23

Connexion

24

Exploration de base

26

Entreposage et entretien

30

Spécifications

30

English

1

Español

11



1111 W. 35th Street, Chicago, IL 60609 USA
www.tripplite.com/support

© Tripp Lite, 2012. Tous droits réservés. SmartPro® est une marque déposée de Tripp Lite.



GARDEZ CES INSTRUCTIONS EN UN LIEU SÛR. Le présent guide contient des instructions importantes qui doivent être suivies pendant l'installation, l'exploitation et l'entreposage de tous les systèmes UPS Tripp Lite.

Mises en garde relatives à l'emplacement du système UPS

- Faites preuve de prudence en soulevant le système UPS. Les systèmes UPS en bâti étant extrêmement lourds, au moins deux personnes sont requises pour les soulever et les installer.
- Installez votre système UPS à l'intérieur, loin de l'humidité, de la chaleur excessive, de la poussière et de la lumière directe du soleil.
- Pour une meilleure exécution, maintenez la température ambiante près de votre système UPS entre 0° C et 40° C (32° F et 104° F).
- Laissez suffisamment d'espace tout autour du système UPS pour maintenir une bonne ventilation. N'obstruez pas les ouvertures de ses prises d'air ou de son ventilateur.

Mises en garde relatives au raccord du système UPS

- Branchez votre système UPS à une prise de courant alternatif munie d'un contact de mise à la terre. Ne modifiez pas la prise du système UPS de façon à éliminer sa connexion de terre. N'utilisez pas d'adaptateurs pour couper la prise de terre du système UPS.
- Ne branchez pas votre système UPS sur lui-même; ceci l'endommagera et annulera votre garantie.
- Si vous branchez votre système UPS à une génératrice de courant alternatif, celle-ci devra fournir du courant filtré de qualité informatique à fréquence contrôlée. Connecter votre système UPS à un générateur annulera son assurance vie entière autorisée (non disponible en dehors du Canada et des États Unis).

Mises en garde relatives au raccord de l'équipement

- Ne raccordez pas les systèmes UPS Tripp Lite à des appareils de maintien des fonctions vitales si leur dysfonction ou leur défaillance pourrait causer une panne ou pourrait modifier de manière significative l'exécution de ces dispositifs.

Mises en garde relatives à la batterie

- Votre système UPS n'exige pas d'entretien courant. Ne l'ouvrez pas quel qu'en soit la raison. Il n'y a pas de pièces à l'intérieur que l'utilisateur puisse réparer par lui-même.
- N'utilisez pas ce système UPS sans le brancher à une ou plusieurs batteries externes à moins que vous ne remplaciez ces dernières à chaud.
- Quand vous ajoutez des blocs-batteries externes, ne reliez que des unités du type et de la tension recommandés par Tripp Lite. Veillez à ne pas brancher ni débrancher les blocs-batteries externes pendant que le système UPS puise de l'énergie de la batterie.
- Pendant le remplacement à chaud des blocs-batteries externes, votre système UPS ne fournira pas d'alimentation électrique de secours en cas de panne de secteur et autres interruptions de courant.

Montage

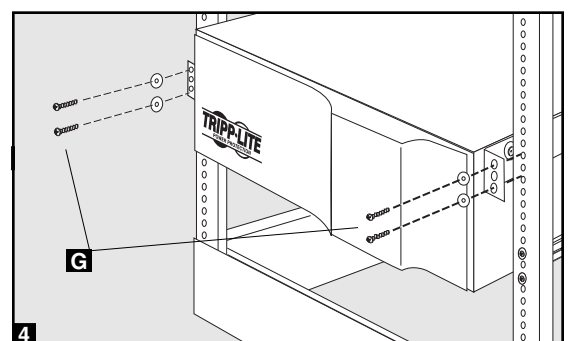
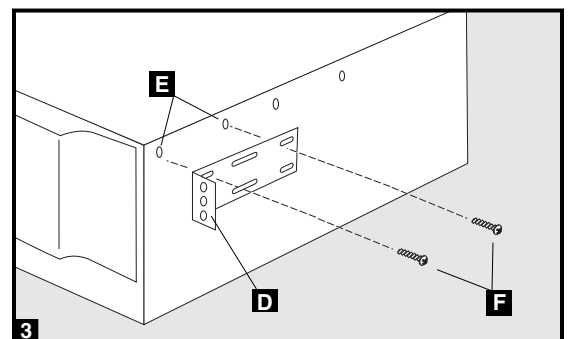
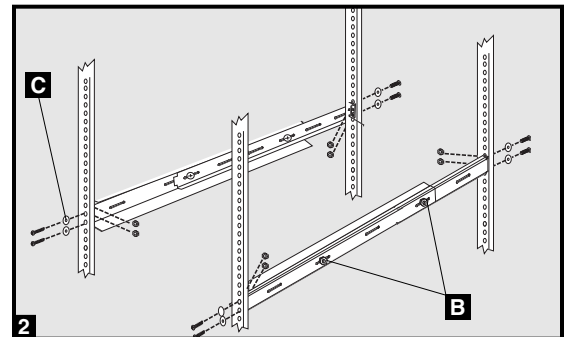
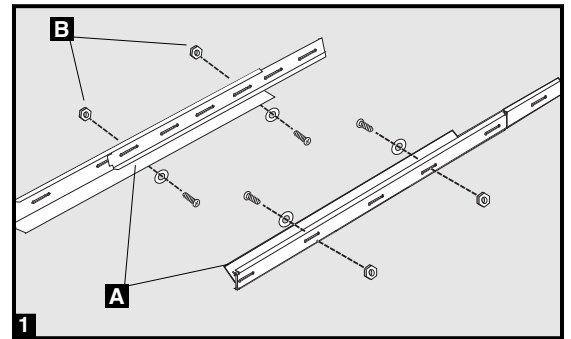
Votre système UPS peut être monté dans des bâtis à 2 ou 4 piliers. Pour le montage de l'UPS dans un rack de quatre postes, utilisez le matériel de montage inclus et suivez les instructions soulignées ci-dessous. Pour le montage de l'UPS dans un rack de deux postes, achetez le matériel approprié, vendu séparément (commandez le modèle Tripp Lite # 2POSTRMKIT). Ces procédures de montage sont destinées à la plupart des types de bâtis courants et peuvent ne pas être adaptées à toutes les configurations de bâtis. L'utilisateur devra déterminer l'adaptation du matériel et des procédures avant d'effectuer le montage.

Sélection des couleurs

Votre système UPS est livré avec un panneau avant gris, 2 oreilles de montage grises et 2 oreilles de montage noires. Pour s'agencer avec du matériel gris, montez les oreilles grises sur le devant. Si vous voulez que votre système UPS s'agence avec du matériel noir, vous pouvez commander le panneau avant (noir) alternatif pour les systèmes UPS 3U avant d'en effectuer l'installation (pièce Tripp Lite n° AC4134) en appelant au (773) 869-1234.

Installation en bâti suggérée pour les boîtiers à 4 piliers

- 1 Connectez les deux segments de chaque tablette **A** à l'aide des vis et des écrous inclus **B**. Ne serrez pas les vis à fond de manière à pouvoir ajuster les tablettes à l'étape suivante.
- 2 Ajustez chaque tablette pour chaque bâti, puis montez-les dans l'espace le plus bas possible dans le bâti, avec les vis, écrous et rondelles fournis **C**. Notez que les rebords des supports doivent être dirigés vers l'intérieur. Serrez les vis qui relient les segments de tablettes **B**.
- 3 Fixez les pattes de montage **D** aux trous de montage avant de votre équipement **E** à l'aide des vis fournies **F**.
- 4 Avec l'aide d'un assistant si nécessaire, soulevez votre équipement et faites-le glisser sur les tablettes de montage. Fixer votre équipement sur la baie en passant les vis **G**, écrous et rondelles dans ses oreilles de montage et dans les rails de la baie.

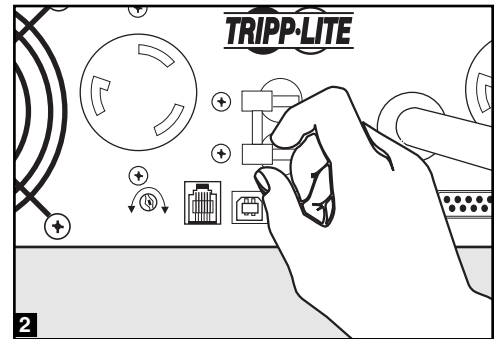
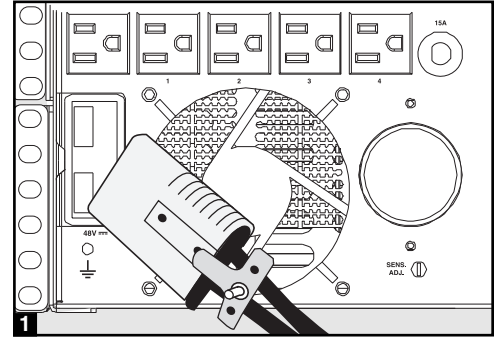


Connexion

1 Reliez un bloc-batterie externe chargé à votre système UPS.

Votre système UPS n'a aucune batterie interne et doit être connecté à un bloc-batterie externe pour fonctionner. Les instructions complètes d'installation et de montage de votre bloc-batterie apparaissent dans le guide de l'utilisateur de ce dernier. Assurez-vous que les câbles sont complètement insérés dans leurs connecteurs. Il est normal que la connexion des batteries produisent plusieurs petites étincelles. Votre système UPS ne fonctionnera pas à moins qu'il ne soit connecté à un bloc-batterie externe chargé.

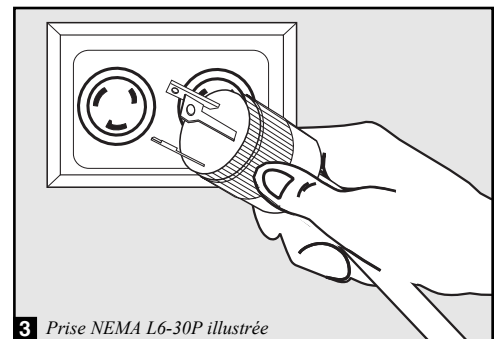
2 Positionner le commutateur d'entrée à pole double sur la position "ON" (vers le coté gauche du panneau arrière).



3 Branchez le cordon d'alimentation de votre système UPS dans une prise de secteur.

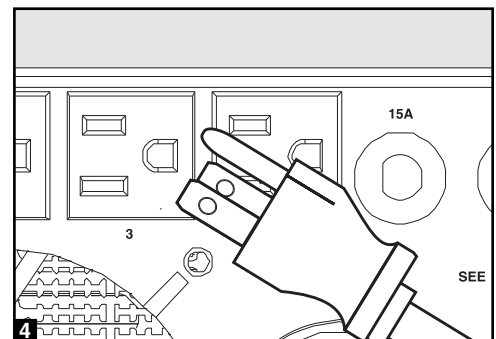
Dès que votre système UPS est branché, ce dernier se met en mode « STANDBY » (attente). Le ventilateur démarre et les voyants « \checkmark » se mettent à clignoter. Les prises du système UPS ne seront pas actives avant que ce dernier ne soit mis sous tension (« ON »).

Votre système UPS est doté d'une prise de courant de 30 ampères. Toutefois, un technicien qualifié peut remplacer cette dernière par une prise de 50 ampères fournie par l'utilisateur. Ceci changera les capacités du système UPS; voyez la section Spécifications pour plus l'information.



4 Branchez votre matériel dans votre système UPS.

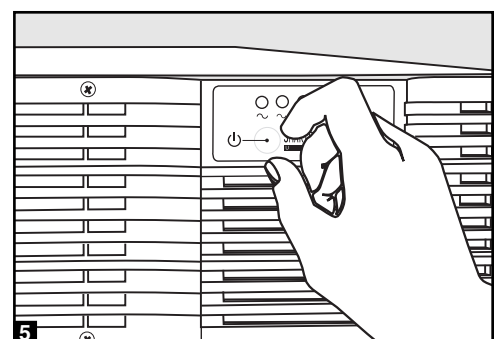
Votre système UPS n'est conçu que pour supporter du matériel informatique. Vous surchargerez votre système UPS si vous branchez des appareils électroménagers, des imprimantes laser et des supprimeurs de surtension à ses prises de courant.



5 Mettez votre système UPS en marche (« ON »).

- Appuyez sur le bouton « POWER » (alimentation)
- Maintenez le bouton enfoncé pendant un moment, jusqu'à ce que les voyants « \checkmark » ne clignotent plus et restent allumés en continu
- Relâchez le bouton

Votre système UPS est maintenant en marche (« ON ») et ses prises c.a. sont activées.

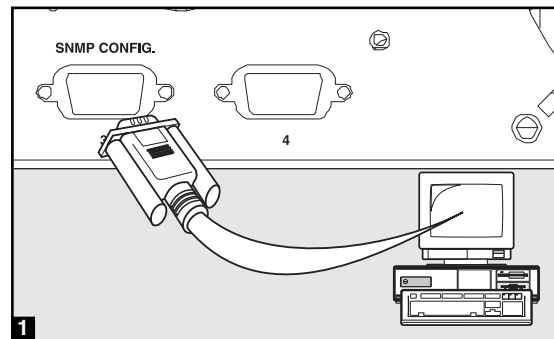


Connexion (facultative)

Votre système UPS fonctionnera correctement sans ces connexions.

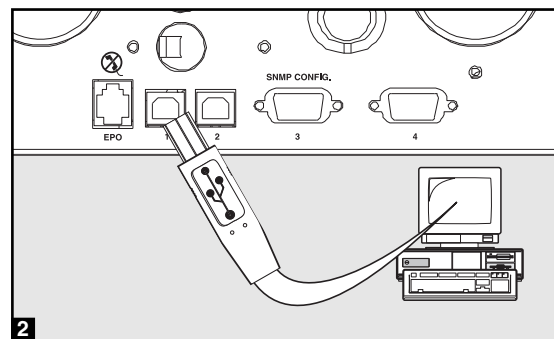
1 Connexion du port série DB9

En utilisant le câble DB9 fourni, reliez le port série DB9 de votre ordinateur à celui de votre système UPS. Installez dans l'ordinateur le logiciel de protection de l'alimentation électrique Tripp Lite adapté à son système d'exploitation. Un deuxième ordinateur muni d'un port série DB9 peut être connecté au deuxième port du système UPS, si désiré.



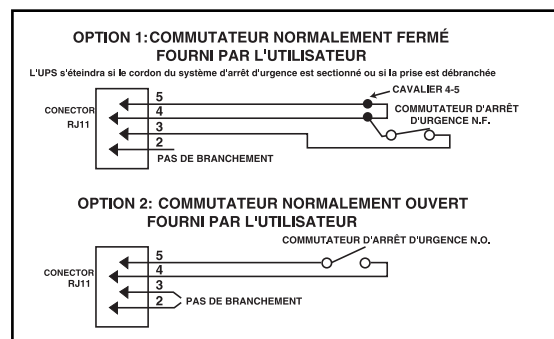
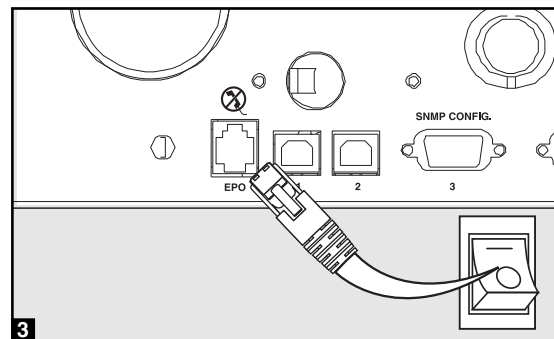
2 Connexion du port USB

En utilisant le câble USB fourni, reliez le port USB de l'ordinateur à celui de votre système UPS. Installez dans l'ordinateur le logiciel de protection de l'alimentation électrique Tripp Lite adapté à son système d'exploitation. Un deuxième ordinateur peut être connecté au deuxième port USB du système UPS, si désiré.



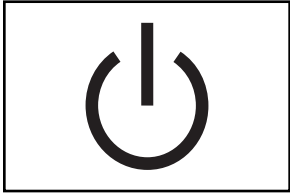
3 Connexion du port d'arrêt d'urgence (EPO)

En utilisant le câble RJ11 fourni, reliez le port d'arrêt d'urgence de votre système UPS à un commutateur normalement fermé ou normalement ouvert fourni par l'utilisateur selon le schéma de circuit ci-dessous. Le port d'arrêt d'urgence n'est pas un suppresseur de surtension de ligne téléphonique; ne reliez aucune ligne téléphonique à ce port.



Schémas du circuit d'arrêt d'urgence (EPO)

Boutons (panneau avant)



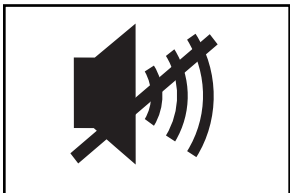
Utilisez la touche « **POWER** » (alimentation) pour alterner entre les quatre modes d'opération de votre système UPS.

« **OFF** » (arrêt) : Aucun voyant lumineux n'est allumé. Le système UPS est complètement éteint pour l'entreposage ou le transport. Si le système UPS est branché au secteur, il démarrera en mode « **STANDBY** » (attente). Si le système UPS n'est pas connecté au secteur et la touche « **POWER** » est maintenue enfoncée pendant deux secondes, le système UPS démarrera à froid en mode « **INVERT** » (inverse).

« **STANDBY** » : Le voyant « \sphericalangle » clignote. Le système UPS reçoit de l'alimentation électrique c.a. et recharge ses batteries, mais ses prises de courant ne sont pas activées. Si vous appuyez sur la touche « **POWER** » pendant que le système UPS est en mode « **STANDBY** », celui-ci se mettra en mode « **ON** ». Si vous débranchez le système UPS ou si vous coupez l'alimentation électrique c.a. pendant qu'il est en mode « **STANDBY** », celui-ci se mettra en mode « **OFF** ».

« **ON** » (sous tension) : Le voyant « \sphericalangle » est allumé. Le système UPS reçoit de l'alimentation électrique c.a., recharge ses batteries et fournit du courant au matériel branché. Si l'alimentation électrique c.a. est coupée pendant que le système UPS est en marche (par exemple dans le cas d'une panne de secteur), ce dernier se mettra en mode « **INVERT** ». Si vous appuyez sur la touche « **POWER** » pendant que le système UPS est en mode « **ON** », celui-ci se mettra en mode « **STANDBY** ».

« **INVERT** » : Le voyant « \sphericalangle » clignote. Le système UPS fournit du courant de batterie au matériel branché. Si l'alimentation électrique c.a. est rétablie, le système UPS retournera au mode « **ON** ». Si vous appuyez sur la touche « **POWER** » pendant que le système UPS est en mode « **INVERT** », ce dernier se mettra en mode « **OFF** ». Si le système UPS est en mode « **INVERT** » et que ses batteries sont épuisées, celui-ci se mettra en mode « **OFF** » jusqu'à ce que l'alimentation électrique c.a. soit restaurée, puis il reviendra au mode « **ON** ».



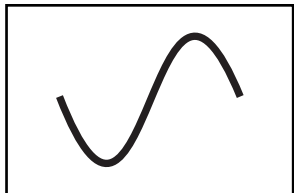
Le bouton « **MUTE/TEST** » (sourdine/test) a deux usages :

AMORTIR L'ALARME : Votre système UPS a trois alarmes. La première, l'alarme « **INVERT** », émet quatre brefs signaux sonores à toutes les dix secondes quand le système UPS est en mode « **INVERT** », pour vous prévenir que l'alimentation c.a. a été coupée. La deuxième, l'alarme « **OVERLOAD** » (surcharge), émet de courts signaux sonores rapides pour vous prévenir de diminuer la charge quand le système UPS est en mode « **INVERT** » si la consommation totale du matériel branché dépasse la capacité de sortie de l'unité. La troisième, l'alarme de batterie faible, émet un signal sonore en continu quand le système UPS est en mode « **INVERT** » et que ses batteries sont presque épuisées, pour vous prévenir qu'il faut éteindre le matériel branché. Pour amortir les alarmes « **INVERT** » ou « **OVERLOAD** », appuyez sur le bouton « **MUTE/TEST** ». L'alarme de batterie faible ne s'arrête qu'au moment où le système UPS revient aux modes « **OFF** » ou « **ON** ».

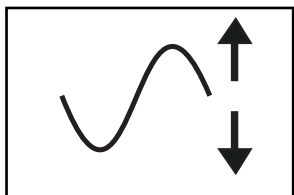
AUTOTEST DES BATTERIES ET DES ALARMES : Si votre système UPS est en mode « **ON** » et qu'il a du matériel branché, vous pouvez mettre à l'épreuve ses batteries en appuyant sur le bouton « **MUTE/TEST** » pendant deux secondes. Le système UPS se mettra en mode « **INVERT** » pendant plusieurs secondes. Normalement, l'alarme « **INVERT** » (quatre brefs signaux sonores) retentit, indiquant que le système fonctionne correctement. Si l'alarme « **OVERLOAD** » (courts signaux sonores rapides) retentit, réduisez la charge du système UPS. Si l'alarme de « **LOW BATTERY** » (batterie faible) (un signal sonore en continu) retentit, les batteries de votre système UPS peuvent avoir besoin d'être remplacées, le branchement de vos batteries externes peut être desserré ou bien ces dernières peuvent simplement ne pas être complètement chargées. Vérifiez le branchement de la batterie externe, laissez le système UPS se recharger pendant 12 heures, puis exécutez un deuxième autotest. Si le signal de « **LOW BATTERY** » (batterie faible) retentit à nouveau, communiquez avec le service à la clientèle de Tripp Lite. Ne débranchez pas votre système UPS pour mettre à l'épreuve ses batteries, ceci coupe la prise de terre et peut transmettre une surtension préjudiciable à vos connexions réseau.

Voyants lumineux (panneau avant)

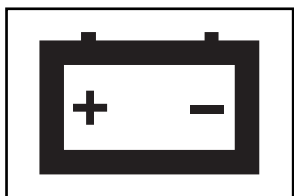
Les descriptions des voyants lumineux ne sont applicables que lorsque le système UPS est branché à une prise de secteur et mis sous tension.



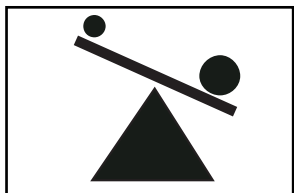
POWER : Il s'allume en vert quand le système UPS reçoit de l'alimentation électrique c.a. Il reste allumé quand le système UPS est en mode « **ON** » pour indiquer que les batteries se rechargent et que le matériel branché reçoit de l'alimentation électrique c.a. filtrée. Il clignote en mode « **STANDBY** » pour signaler que les batteries se rechargent mais que le matériel branché n'est pas alimenté.



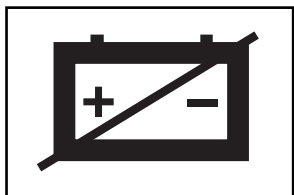
CORRECTION DE LA TENSION : Ce voyant vert brille quand votre système UPS corrige automatiquement des hausses et des baisses de tension du secteur. Le système UPS émet également un léger cliquetis. Ce sont des activités normales automatiques de votre système UPS et aucune action n'est exigée de votre part.



CHARGE DE BATTERIE : Ce voyant multicolore affiche 7 conditions distinctes de charge de la batterie du système UPS. Il change de rouge (bas) à jaune (moyen) et à vert (plein) pour afficher le niveau de charge de la batterie. Si le voyant reste allumé, votre système UPS est en mode « **ON** » ou « **STANDBY** », il reçoit du courant du secteur et la batterie se recharge. Si le voyant clignote, votre système UPS est dans en mode « **INVERT** », le courant provient de la batterie et cette dernière se décharge. Si le voyant clignote en rouge, votre système UPS est en mode « **INVERT** » et sa batterie est presque épuisée : Vous devriez enregistrer vos fichiers et éteindre votre matériel immédiatement.

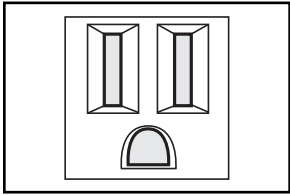


CONSOMMATION À LA SORTIE : Ce voyant multicolore affiche le niveau de consommation de votre système UPS. S'il reste allumé en vert, c'est que la consommation est faible; en jaune, cette dernière est moyenne. Quand le voyant est rouge, c'est que la consommation dépasse 85% de la capacité de votre système UPS. Si le voyant rouge se met à clignoter, votre système UPS est fortement surchargé. Débranchez du matériel immédiatement jusqu'à ce que le voyant ne clignote plus.

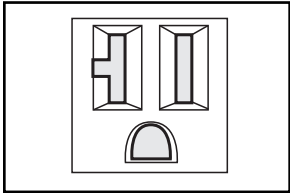


AVERTISSEMENT DE LA BATTERIE : Ce voyant s'allume en rouge si l'autotest de votre système UPS (amorcé à l'aide du commutateur « **Mute/Test** ») révèle une batterie presque épuisée ou un défaut interne. Si ce voyant s'allume, laissez le système UPS se recharger pendant 12 heures puis exécutez un deuxième autotest. Si le voyant reste toujours allumé, communiquez avec le service à la clientèle de Tripp Lite.

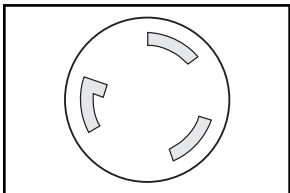
Autres fonctions du système UPS (Panneau arrière)



15 amp NEMA 5-15R



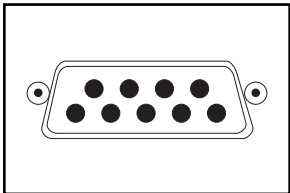
20 amp NEMA 5-20R



30 amp NEMA L6-30R

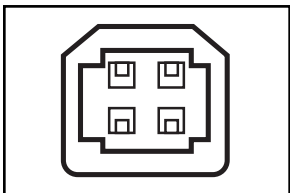
Prises c.a.

Votre système UPS est muni de prises c.a. de 15, 20 et 30 ampères. Ces bornes de sortie alimentent votre matériel en courant c.a. directement du secteur lors de l'exploitation normale et de la batterie lors de pannes de secteur et de baisses de tension. Le système UPS protège le matériel connecté à ces bornes contre les surtensions préjudiciables et le bruit de ligne. Si vous avez une connexion série ou USB à votre système UPS, vous pouvez réinitialiser à distance le matériel branché en utilisant le logiciel PowerAlert de Tripp Lite pour allumer ou éteindre votre unité. Vous pouvez même sélectionner à distance les prises à mettre hors tension et en marche individuellement en utilisant le logiciel de système UPS Tripp Lite sans couper le courant au matériel branché aux autres prises. Le système UPS comprend également des prises sans commutateur dont on ne peut pas couper le courant individuellement. Référez-vous au guide de l'utilisateur du logiciel pour plus de détails.



Ports série DB9 intelligents

Votre système UPS comprend 2 ports série DB9 qui peuvent être utilisés pour relier votre unité au port du même type d'un poste de travail ou d'un serveur. Utilisez le câblage et le logiciel Tripp Lite pour contrôler et gérer l'alimentation du réseau, enregistrer automatiquement les fichiers ouverts et éteindre le matériel pendant les pannes (voir section Connexion). Le port série DB9 étiqueté « SNMP Config » (configuration SNMP) est également utilisé pendant la configuration des adaptateurs Tripp Lite.



Ports USB intelligents

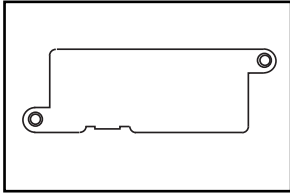
Votre système UPS comprend 2 ports USB qui peuvent être utilisés pour relier votre unité au port USB d'un poste de travail ou d'un serveur. Utilisez le câblage et le logiciel Tripp Lite pour contrôler et gérer l'alimentation du réseau, enregistrer automatiquement les fichiers ouverts et éteindre le matériel pendant les pannes (voir section Connexion).



Port d'arrêt d'urgence

Votre système UPS comprend un port d'arrêt d'urgence qui peut être utilisé pour relier le système UPS à un commutateur de fermeture de circuit pour permettre l'arrêt du convertisseur de secours. Voir la section Connexion.

Exploitation de base



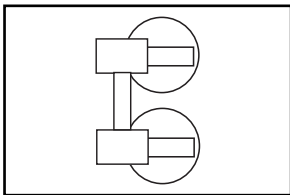
Fente à accessoires

Enlevez le petit volet de cette fente pour installer des accessoires optionnels de surveillance et de contrôle de votre système UPS. Référez-vous au manuel de votre accessoire pour les instructions relatives à l'installation. Communiquez avec le Service à la clientèle de Tripp Lite au (773) 869-1234 pour plus de détails, incluant une liste des produits SNMP, de gestion de réseau et de connectivité disponibles.



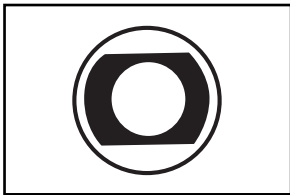
Connecteur de batterie externe

Utilisez-le pour relier votre système UPS à un bloc-batterie externe. La section des spécifications du présent guide comprend une liste des blocs-batteries externes Tripp Lite qui sont compatibles à votre configuration. Consultez le guide de l'utilisateur de votre batterie externe pour les instructions complètes relatives à son installation et les précautions à prendre.



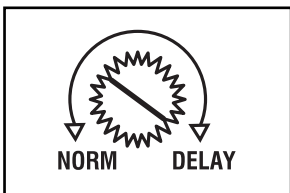
Disjoncteur d'entrée

Il empêche le courant d'entrée élevé d'endommager le système UPS ainsi que le matériel qui y est branché. Si ce disjoncteur se déclenche, assurez-vous que votre système UPS est branché à une prise de secteur c.a. de 208 V avant de réarmer le disjoncteur en appuyant sur ses leviers.



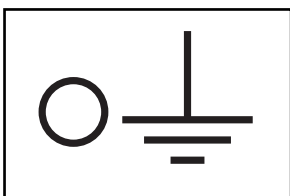
Disjoncteurs de sortie

Votre système UPS comprend 3 disjoncteurs qui protègent votre système UPS contre les surcharges de sortie. Si un ou plusieurs disjoncteurs se déclenchent, enlevez du matériel branché et laissez le système UPS refroidir avant d'appuyer sur les commutateurs des disjoncteurs pour les réarmer.



Réglage de la sensibilité au courant

Ce cadran est normalement ajusté complètement dans le sens inverse des aiguilles d'une montre pour protéger le système UPS contre la distorsion de l'onde d'entrée c.a. Quand une telle distorsion se produit, le système UPS basculera normalement vers l'alimentation de batterie pour fournir une onde sinusoïdale pure tant que la distorsion persiste. Dans les régions où l'alimentation électrique du secteur est de mauvaise qualité ou si l'alimentation du système UPS provient d'un générateur de secours, les distorsions chroniques de l'onde peuvent faire basculer le système UPS vers la batterie trop souvent, épuisant ainsi sa charge. Vous pouvez réduire la fréquence d'utilisation de la batterie causée par la distorsion de l'onde en expérimentant avec différents réglages de ce cadran. Si vous tournez le cadran dans le sens des aiguilles d'une montre, le système UPS devient plus tolérant aux fluctuations de l'onde d'entrée c.a. NOTE : Plus le cadran est réglé dans le sens des aiguilles d'une montre, plus le système UPS laissera passer de grandes fluctuations d'onde au matériel branché. Quand vous expérimentez avec les différents réglages du cadran, n'utilisez le matériel branché qu'en mode sécuritaire afin d'empêcher que les effets nocifs des fluctuations d'onde n'interrompent des activités d'importance capitale.



Vis de borne de terre

Utilisez cette dernière pour relier tout matériel qui exige une prise de terre de châssis.

Entreposage et entretien

Entreposage

Avant d'entreposer votre UPS, placez-le sur le mode OFF en inversant la procédure de Connexion: utilisez le bouton POWER pour placer l'UPS sur le mode STANDBY; débranchez l'UPS; positionnez le commutateur d'entrée à pole sur la position "OFF"; déconnectez le pack de batterie externe. Si vous entreposez votre système UPS pour une période prolongée, rechargez les batteries à tous les trois mois en suivant les Étapes 1, 2 et 3 de la section Connexion et en le laissant branché à une prise de secteur pendant 4 ou 6 heures avant de le remettre en stockage. Si vous laissez les batteries de votre système UPS déchargées pendant une période de temps extrêmement longue, elles souffriront d'une perte permanente de capacité.

Entretien

Votre produit Tripp Lite est couvert par la garantie décrite dans ce manuel. Une variété de garantie prolongées et de programmes de service sur place sont également disponibles chez Tripp Lite. Pour plus de renseignements sur le service, visitez www.tripplite.com/support. Avant de retourner votre produit pour entretien ou réparation, suivez les étapes suivantes :

1. Relisez les directives d'installation et de fonctionnement de ce manuel afin de vous assurer que le problème n'a pas pour origine une mauvaise lecture des directives.
2. Si le problème persiste, ne pas communiquer ou renvoyer le produit au vendeur. À la place, visitez www.tripplite.com/support.
3. Si le problème nécessite une réparation, visitez www.tripplite.com/support et cliquez sur le lien Product Returns (retour du produit). De cet endroit, vous pouvez demander un numéro d'autorisation de retour de matériel (RMA) qui est exigé pour une réparation. Ce formulaire en ligne simple vous demandera le numéro de modèle et le numéro de série de votre unité ainsi que d'autres renseignements généraux concernant l'acheteur. Le numéro RMA, ainsi que les instructions concernant le transport vous seront acheminées par courriel. Tout dommage (direct, indirect, spécial ou fortuit) survenu au produit pendant le transport à Tripp Lite ou à un centre de service autorisé Tripp Lite est exclu de la garanti. Les produits expédiés à Tripp Lite ou à un centre de service autorisé doivent être prépayés. Inscrire le numéro RMA sur le paquet. Si le produit est encore couvert par la garantie de deux ans, joindre une copie de votre facture d'achat. Retourner le produit pour réparation par un transporteur assuré à l'adresse qui vous a été donnée lorsque vous avez demandé le RMA.

Spécifications

	SMART5000RT3U avec prise de 30A*	SMART5000RT3U avec prise de 50A*
Séries #: (Module d'Alimentation):	AGSM5000Y3U31	AGSM5000Y3U31
Séries #: (Batteries):	AGBP4860Y3U	AGBP4860Y3U
Puissance nette (VA/Watts) :	4475(@208+120V)/4000	5000(@208V), 4800(@120V)/4000
Délai d'exécution de la batterie en minutes (mi-charge/pleine charge) :	38+/16+**	38+/16+**
Temps de recharge de la batterie :	De 2 à 4 heures **	De 2 à 4 heures **
Homologations :	UL, cUL, NOM	UL, cUL, NOM

* Le SMART5000RT3U est muni d'une prise de 30 A. Un technicien qualifié peut remplacer cette dernière par une prise de 50 ampères fournie par l'utilisateur.

** Le délai d'exécution de la batterie inscrit ci-dessus suppose que le système UPS n'est branché qu'à un seul bloc-batterie externe. Le délai d'exécution peut être augmenté en ajoutant des blocs-batteries externes additionnels. L'ajout de batteries externes augmentera également le temps de recharge..

Tension d'entrée (de 208 V); fréquence d'entrée (60 Hz); gamme des tensions d'entrée en ligne (de 151 à 260 volts); gamme des tensions de sortie régulées (de 208 à 120 V \pm 9 %); gamme des tensions de sortie sur batterie (208 à 120 V \pm 5 %); mode ligne en forme d'onde de sortie (onde sinusoïdale filtrée); mode batterie en forme d'onde de sortie (onde sinusoïdale); suppression de surtensions c.a. (excède les catégories A et B de la norme IEEE 587); atténuation de bruit c.a. (>40 dB); mode de protection c.a. (H à N, H à G, N à G); blocs-batteries compatibles (BP48V60RT3U).

Ce périphérique est conforme à la Section 15 du Règlement de la FCC. Son utilisation est assujettie aux deux conditions suivantes : (1) Ce périphérique ne peut pas produire de brouillage nuisible, et (2) il doit accepter tout brouillage reçu, y compris ceux qui peuvent avoir des effets préjudiciables.

Note : Ce matériel a été testé et s'est avéré être conforme aux limites des dispositifs numériques de Classe A, conformément à la Partie 15 du règlement de la FCC. Ces limites sont conçues pour fournir à une installation commerciale une protection raisonnable contre les brouillages nuisibles. Ce matériel produit, utilise et peut émettre de l'énergie de fréquence radio et s'il n'est pas installé et utilisé conformément au guide d'instructions, celui-ci peut causer un brouillage dans les communications radio. L'utilisation de ce matériel dans un secteur résidentiel peut causer un brouillage nuisible lequel devra être corrigé au frais de l'utilisateur.

La politique de Tripp Lite est de poursuivre l'amélioration de ses produits. Les spécifications ci-dessus peuvent changer sans préavis.

Note sur l'étiquetage

Deux symboles sont utilisés sur les étiquettes.

V~ : Tension CA

V⁼⁼⁼ : Tension CC



1111 W. 35th Street, Chicago, IL 60609 USA
www.tripplite.com/support