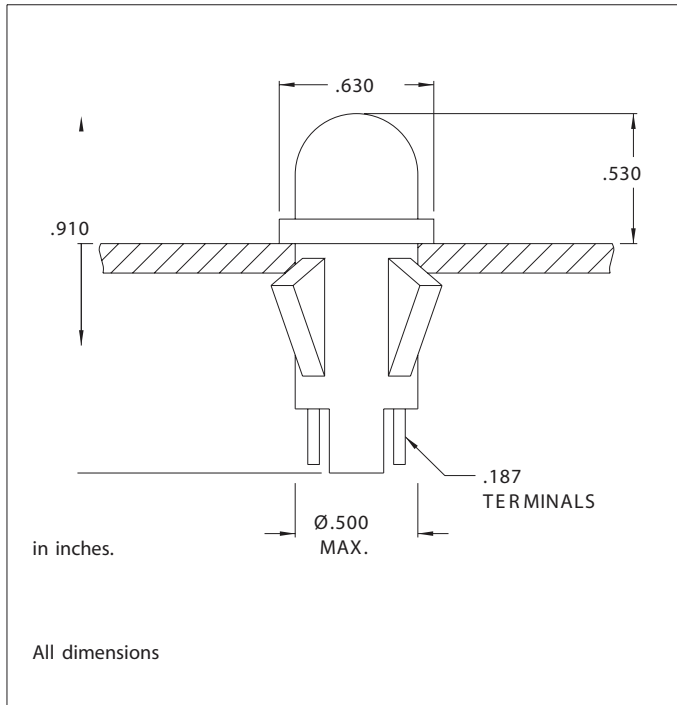


1090QA Series Non-Relampable Incandescent Indicator Lights

Description and Features



Mounting: Will snap-fit into $\text{Ø}.500/.505$ hole in panels
.020/.100 thick. Push-on speednut SN0461
also available. Mounting hole pattern on page SP2.

Terminals: Quick-connect, tinned brass

Lens: Polycarbonate

Bezel: Polished stainless steel. For black finish add "X"
after the series letter(s).

Housing: White Nylon

Lens Color	Incandescent	
	Model No. (12V)	Model No. (28V)
Red		
White		
Green	1090QA1-12V	1090QA1-28V
Blue	1090QA3-12V	1090QA3-28V
	1090QA4-12V	1090QA4-28V
	1090QA5-12V	1090QA5-28V
	1090QA6-12V	1090QA6-28V
Lamp used	#2162	#2187

Underwriters Laboratories (UL) File No. E20325
Canadian Standards Association (CSA) File No. LR13346