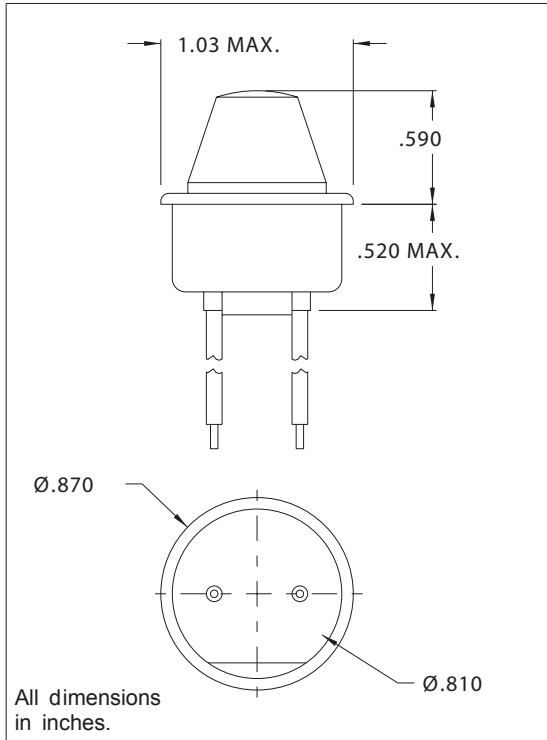


## 2620T, 2621T, 2622T and 2623T Series Non-Relampable Neon Indicator Light

### Description and Features



Mounting: Supplied with speednut SN2089. Mounting hole pattern on page SP2.

Wire Leads: No. 22 AWG (105°C) 4.40/4.80 long, stripped .430/.570

Lens: Polycarbonate

Bezel: Polished stainless steel. For black finish add "X" after the series letter(s).

Housing: White Nylon

Lens Color	Neon	
	Model No. (105-125VAC)	Model No. (208-250VAC)
Red	2620T1	2621T1
Amber	2620T3	2621T3
Green	2622T5*	2623T5*
Lamp used	C2A+Resistor	

\* Incorporates G2B lamp and resistor.  
Underwriters Laboratories (UL) File No. E20325  
Canadian Standards Association (CSA) File No. LR13346