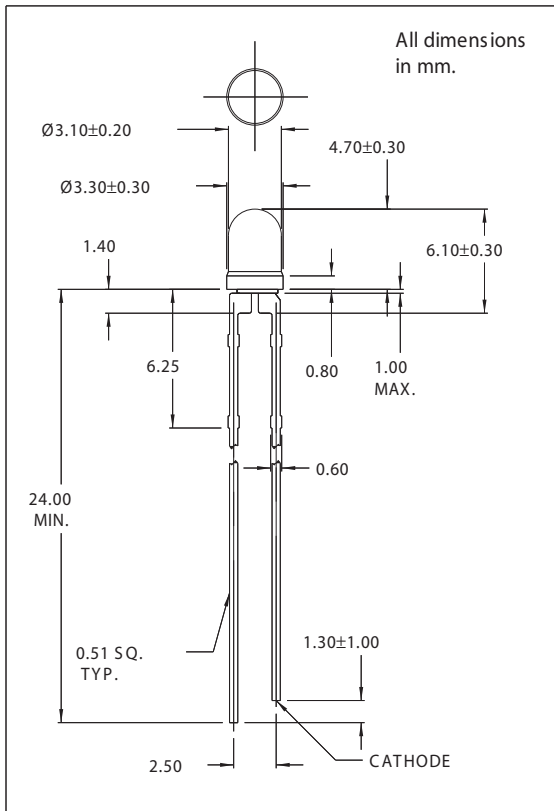


## 4303F Series Solid State LED Lamps-Super Brite T-1 (3mm) Description and Features



### T-1 Super Brite LEDs

- High intensity light output
- Diffused lens
- Wide viewing angle - 90°

## Electro-Optical Characteristics and Ratings

PART NUMBER	4303F1	4303F3	4303F5	4303F7
Output Color	Red	Amber	Green	Yellow
Diffusion	Diffused	Diffused	Diffused	Diffused
Package Color	Red	Amber	Green	Yellow
Test Current (mA)	10	10	10	10
Forward Voltage Typ. (V)	2.0	2.2	2.2	2.1
Forward Voltage Max. (V)	3.0	3.0	3.0	3.0
Luminous Intensity Min. (mcd)	3.6	3.0	16.0	6.3
Luminous Intensity Typ. (mcd)	10.0	7.0	10.0	10.0
Luminous Intensity Max. (mcd)	3.0	3.0	3.0	3.0
Peak Wavelength (nm)	650	603	562	585
Viewing Angle 2θ 1/2 (degrees)	90	60	90	90
Power Dissipation (mW)	120	135	120	120
Peak Forward Current @ 1Ms-300 PPS (A)	1.0	.5	.09	1.0
Reverse Voltage (IR=100µA) (V)	5	5	5	5