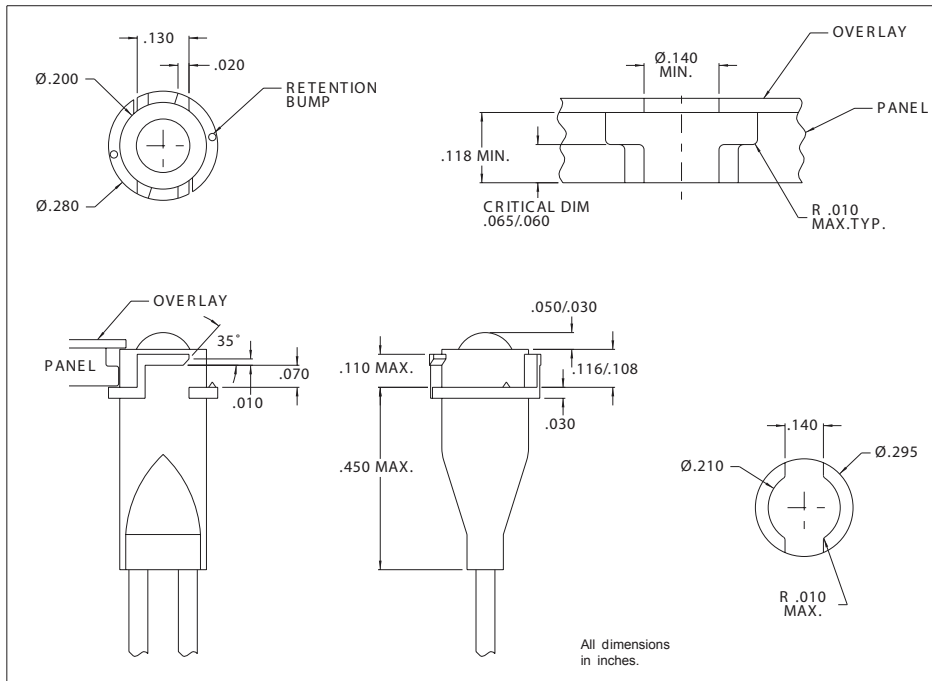


## 5120F Series Rear Panel Mounted LED Indicator Light

### Description and Features



#### Features

- Super Brite T-1 LED. Diffused lens gives wide angle viewing.

Mounting: Rear twist into mounting hole specified.

Wire Leads: No. 26 AWG, color:  
red/black 4.40/4.8 long,  
stripped .430/.570

Anode(+): Red lead

Housing: Black nylon

### Electro-optical Characteristics

Part Number	Color	Typ. Intensity (mcd)	Rated Current (mA)	Continuous Forward Current Max. (mA)	Forward Voltage Typ. (V)	Forward Voltage Max. (V)	Peak Forward Current @ 1ms-300pps (A)	Reverse Break-down Voltage Min. (V)
5120F1	Red	10	10	30	2.0	3.0	1.0	5
5120F5	Green	16	10	30	2.2	3.0	.09	5
5120F7	Yellow	6.3	10	30	2.1	3.0	1.0	5