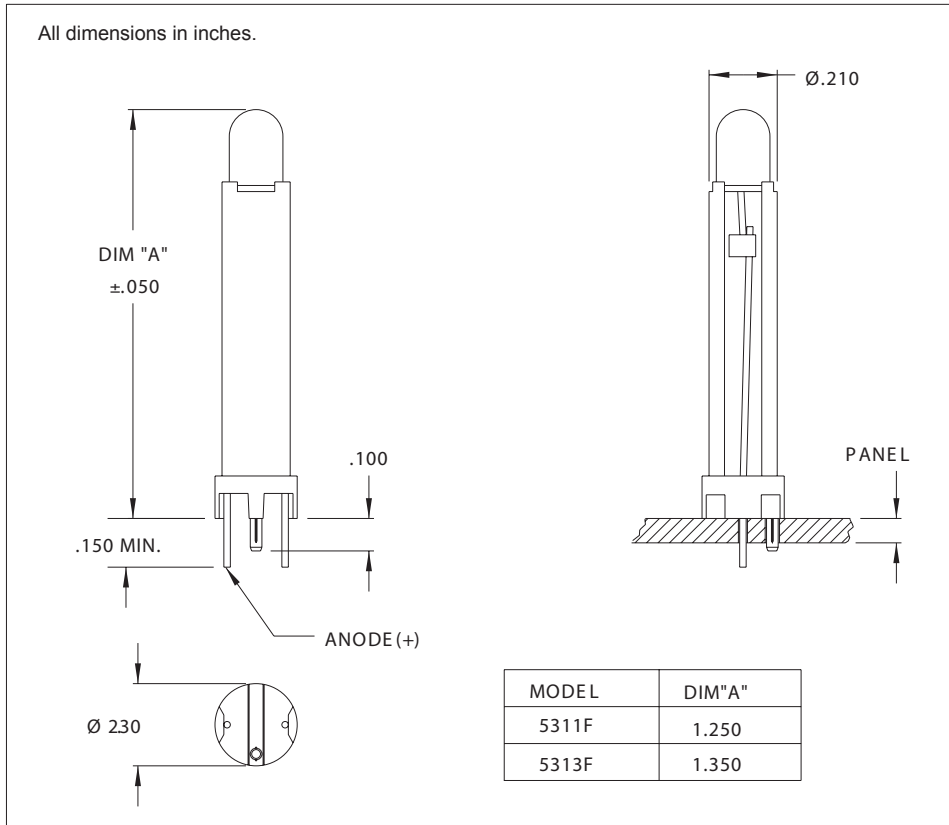


## 5311F Series Super Brite T-1 LED Circuit Board Indicator

### Description and Features



#### Features

- Block mounting, height and spacing alignment-saves assembly cost and time.
- Ultra Brite -T1 3/4 LED, non-diffused narrow beam high intensity light.
- Standoffs prevent flux entrapment.

Housing: Black Nylon, UL94V -O

Note: Alternate LEDs are also available in this package as a standard variation.

### Electro-Optical Characteristics and Ratings

Part Number	Color	Typ. Intensity (mcd)	Rated Current (mA)	Continuous Forward Current Max. (mA)	Forward Voltage Typ. (V)	Forward Voltage Max. (V)	Peak Forward Current @ 1 ms-300pps (A)	Peak Wavelength (nm)	Reverse Breakdown Voltage Min. (A)
5311F1	Red	10	10	30	2.0	3.0	1.0	650	5
5311F5	Green	16	10	30	2.2	3.0	.09	562	5
5311F7	Yellow	6.3	10	30	2.1	3.0	1.0	585	5
5313F1	Red	10	10	30	2.0	3.0	1.0	650	5
5313F5	Green	16	10	30	2.2	3.0	.09	562	5
5313F7	Yellow	6.3	10	30	2.1	3.0	1.0	585	5