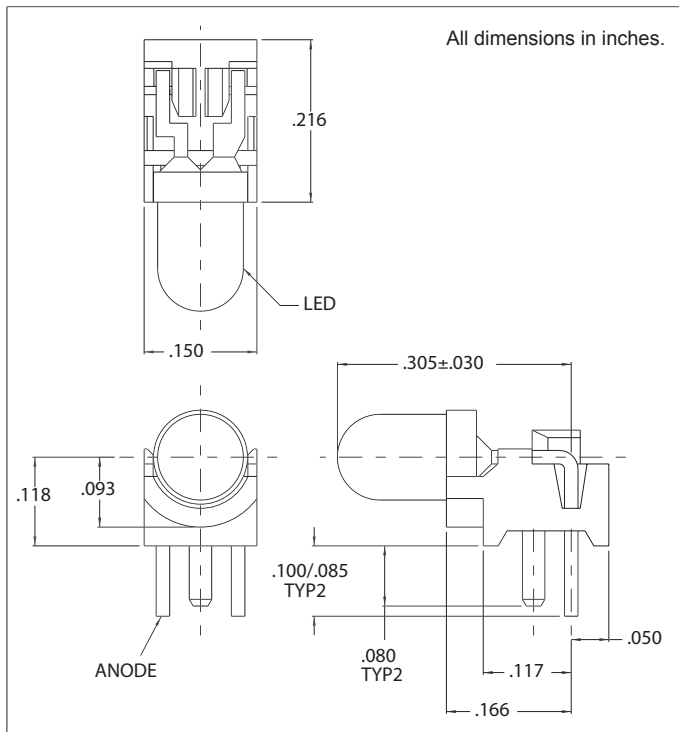


## 5325F Series Super Brite T-1 LED Assembly

### Description and Features



#### Features

##### World's smallest T-1 Right Angle LED Assembly

- Permits installation in tight spaces.
- Compatible with PCMCIA type III and IV cards.
- Lightweight

##### Precise Alignment

- Press-in mounting pin for perfect location.
- Side-stackable on .150" centers.

##### Solid State Reliability

- 100K+ hour MTBF
- UL94V-O rated housing

Alternate LEDs are also available in this package as standard variations.

Refer to "Mounting Hole Pattern 5.pdf"

## Electro-Optical Characteristics and Ratings

Part Number	Color	Typ. Intensity (mcd)	Rated Current (mA)	Continuous Forward Current Max. (mA)	Forward Voltage Typ. (V)	Forward Voltage Max. (V)	Reverse Break-down Voltage Min. (V)	Peak Wavelength (nm)
5325F1	Red	10.0	10	25	2.2	3.0	5	635
5325F3	Amber	4.0	10	30	2.2	3.0	5	603
5325F5	Green	8.5	10	25	2.3	3.0	5	565
5325F7	Yellow	10.0	10	20	2.2	3.0	5	583