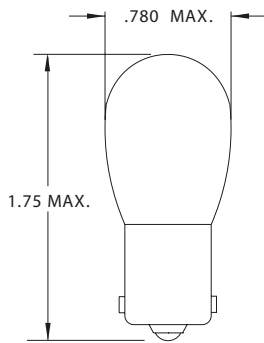
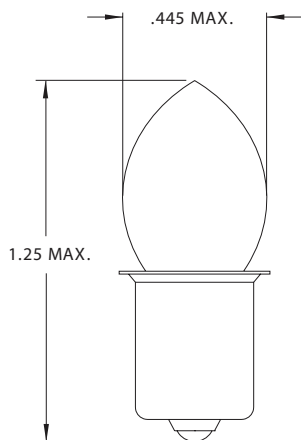


B-6 Single Bayonet Base



Part Number	Design Voltage	Amps	MSCP	Life Hours	Filament Type	Comments
CM1317	6.0	.45	3.4	100	C-6	
CM209	6.5	1.78	15.0	100	C-6	
CM105	12.8	1.00	12.0	500	C-6	
CM1003	12.8	.94	15.0	100	C-6	
CM601-1	28.0	.56	-	2,000	CC-81	Blk. Bonnet
CM1308	28.0	.56	16.0	2,000	CC-81	
CM1309	28.0	.52	15.0	300	2C-2R	

B-3 1/2 Single Contact Miniature Flange Base



Part Number	Design Voltage	Amps	MSCP	Life Hours	Filament Type	Comments
PR 8	1.90	.60	.65	10	C-2R	
PR 1	2.00	.95	1.00	40	C-2R	
PR 28	2.20	.80	.90	20	C-6	
PR 4	2.33	.27	.40	10	C-2R	
PR 5	2.35	.35	.45	35	C-2R	
PR 2	2.38	.50	.80	15	C-2R	
KPR 102	2.40	.70	1.30	15	C-2R	Krypton Gas Fill
KPR 131	2.40	.84	1.47	15	C-2R	Krypton Gas Fill
PR 6	2.47	.30	.45	30	C-2R	
PR 9	2.70	.15	.25	45	C-2R	
CM395X	3.00	.07	.15	50	S-2	
PR 3	3.57	.50	1.50	15	C-2R	
KPR 103	3.60	.70	2.70	15	C-2R	Krypton Gas Fill
PR 29	3.60	.20	.60	30	C-2R	
PR 7	3.70	.30	.90	30	C-2R	
PR 30	3.75	.86	2.25	40	C-2R	
PR 13	4.75	.50	2.00	15	C-2R	
KPR 113	4.80	.70	4.06	15	C-2R	Krypton Gas Fill
PR 15	4.82	.50	2.00	30	C-2R	
PR 17	4.90	.30	1.20	30	C-2R	
PR 12	5.95	.50	3.00	15	C-2R	
KPR 118	7.20	.55	5.23	15	C-2R	Krypton Gas Fill
PR 18	7.20	.55	4.20	20	C-2R	
PR 20	8.63	.50	5.00	15	C-2R	
PR 16	12.50	.25	2.70	50	C-2R	