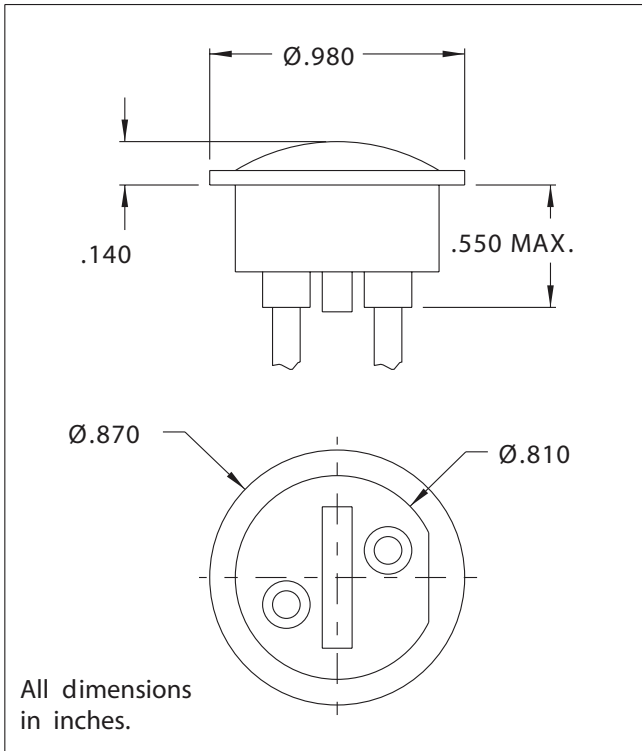


## 2620K and 2622K Series Non-Relampable Neon Indicator Light

### Description and Features



Mounting: Supplied with speednut SN2089. Mounting hole pattern on page SP2.

Wire Leads: No. 22 AWG (105°C) 4.40/4.80 long, stripped .430/.570

Lens: Polycarbonate

Bezel: White nylon. For black finish add "X" after the series letter(s).

Housing: White Nylon

Lens Color	Neon
	Model No. (105-125VAC) Wire Leads
Red	2620K1
Amber	2620K3
White	2620K3
Green	2622K5*
Lamp used	C2A+Resistor

\*Incorporates G2B lamp and resistor  
Underwriters Laboratories (UL) File No. E20325  
Canadian Standards Association (CSA) File No. LR13346