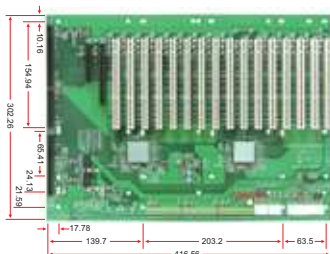




# PICMG 1.3 Backplane

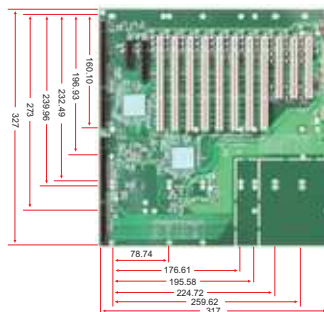
## PICMG 1.3 BACKPLANE

### Server Grade Backplane



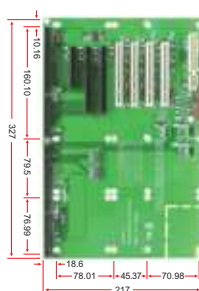
**PBPE-19AG64**  
19-slot [PCIe x16 (1, x8 signal), PCIe x8 (1, x4 signal), PCI-X (16)]

- Fit for 4U up chassis
- Four PCI-X buses support 16 PCI-X expansion slots



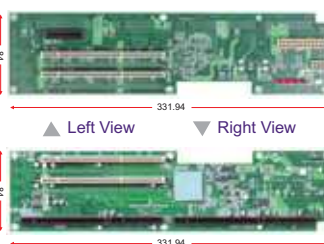
**PBPE-14AD64**  
14-slot [PCIe x8 (1,x4 signal), PCIe x8 (1), PCI-X (8), PCI (3)]

- Fit for 4U chassis
- Four PCI-X buses support eight PCI-X expansion slots



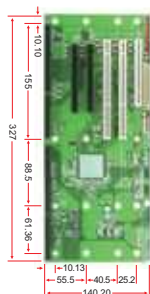
**PBPE-08P41**  
8-slot [PCIe x8 (1, x4 signal), PCIe x16 (2, x8 signal), PCI (4)]

- Fit for Node chassis
- Four USB ports



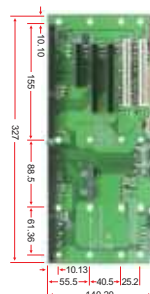
**PBPE-06V464**  
Vertical 6-slot [PCIe x4 (1), PCI-X (4)]

- Fit for 2U chassis
- Dual PCI-X buses support four PCI-X slots



**PBPE-06A364**  
6-slot [PCIe x16 (2, x8 signal), PCI-X (2), PCI (1)]

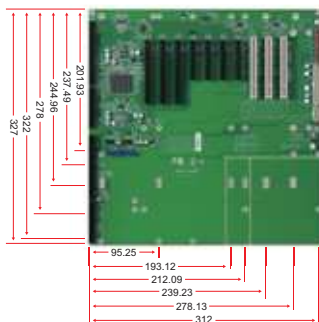
- Fit for Node chassis
- Four USB ports
- Dual SATA ports
- Two PCI-X buses support two PCI-X expansion slot



**PBPE-06P2**  
6-slot [PCIe x8 (1, x4 signal), PCIe x16 (2, x8 signal), PCI (2)]

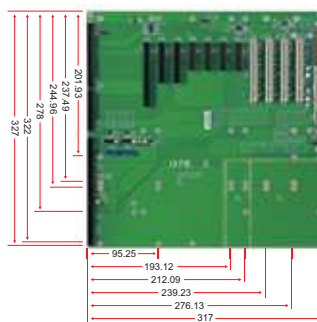
- Fit for Node chassis
- Four USB ports

### Non-Server Grade Backplane



**PBPE-11A3**  
11-Slot [PCIe x16(1), PCIe x16 (2, x8 signal), PCIe x8 (4, x1 signal), PCIe (3)]

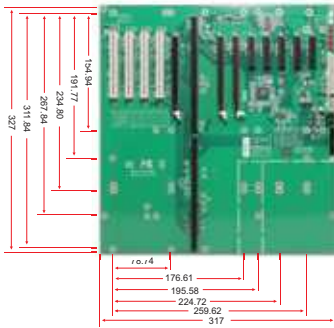
- Fit for 4U Chassis
- PCIe Gen 3 support from processor with ROBO-8112VG2AR
- Four USB ports
- Two SATA ports



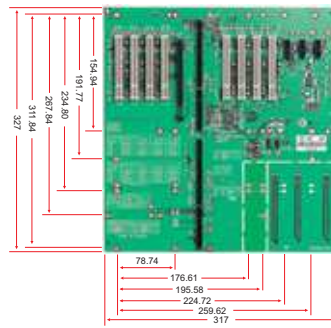
**PBPE-12P4**  
12-Slot [PCIe x16 (1, x8 signal), PCIe x8 (2, x4 signal), PCIe x4 (4, x1 signal), PCI (4)]

- Fit for 4U Chassis
- PCIe Gen 3 support from processor with ROBO-8112VG2AR
- Four USB ports
- Two SATA ports

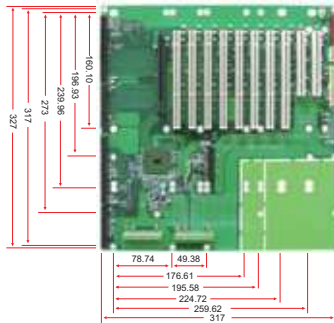
# PICMG 1.3 Backplane



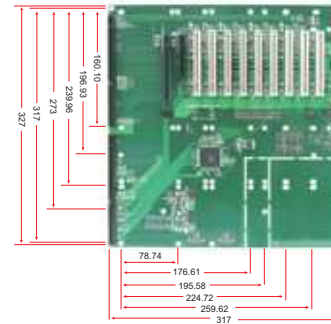
- PBPE-13A4**  
**13-slot [PCIe x16(1), PCIe x16(2, x1 signal), PCIe x4(5, x1 signal), PCI(4)]**
- Fit for 4U chassis
  - Four USB 2.0 ports
  - Dual SATA II ports



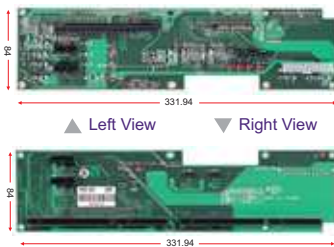
- PBPE-13A8**  
**13-slot [PCIe x1 (3), PCIe x16 (1), PCI (8)]**
- Fit for 4U chassis
  - Four USB ports
  - Dual SATA ports
  - 24-pin ESP12V power connector



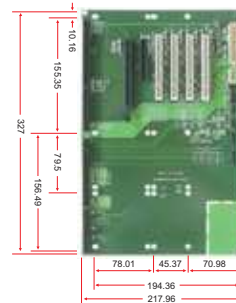
- PBPE-12AA64**  
**12-slot [PCI-X (8), PCIe x16 (1), PCI (2)]**
- Fit for 4U chassis
  - Four USB ports
  - Dual SATA ports
  - Two PCI-X buses support eight PCI-X expansion slot



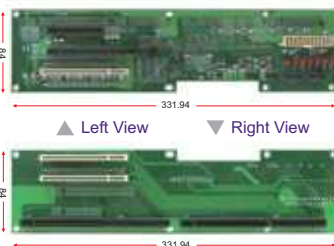
- PBPE-12A9**  
**12-slot [PCIe x16 (1), PCIe x8 (1, x4 signal), PCI (9)]**
- Fit for 4U chassis
  - Four USB ports
  - Dual SATA ports



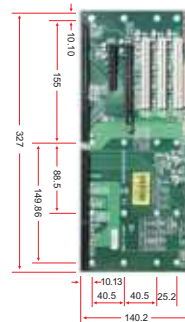
- PBPE-06V**  
**Vertical 6-slot [PCIe x1 (4), PCIe x16 (1)]**
- Fit for 2U chassis
  - Four USB ports
  - Dual SATA ports
  - 24-pin ESP 12V power connector



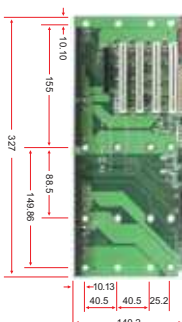
- PBPE-07P4**  
**7-slot [PCIe x8 (1, x4 signal), PCIe x16 (1), PCI (4)]**
- Fit for Node chassis
  - Four USB ports
  - Dual SATA ports



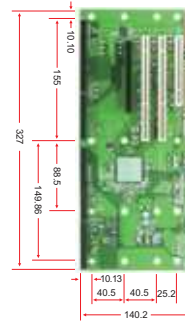
- PBPE-06V3**  
**Vertical 6-slot [PCIe x8 (1, x4 signal), PCIe x16 (1), PCI (3)]**
- Fit for 2U chassis
  - Four USB ports
  - Dual SATA ports



- PBPE-06P3**  
**6-slot [PCIe x16 (1), PCIe x4 (1), PCI (3)]**
- Fit for Node chassis
  - Four USB ports
  - Dual SATA ports



- PBPE-06P4**  
**6-slot [PCIe x8 (1, x4 signal), PCI (4)]**
- Fit for Node chassis
  - Four USB ports
  - Dual SATA ports



- PBPE-05A364**  
**5-slot [PCIe x16 (1), PCI-X (2), PCI (1)]**
- Fit for Node chassis
  - Four USB ports
  - Dual SATA ports
  - Two PCI-X buses support two PCI-X expansion slot