

**Model: 9PCDT**

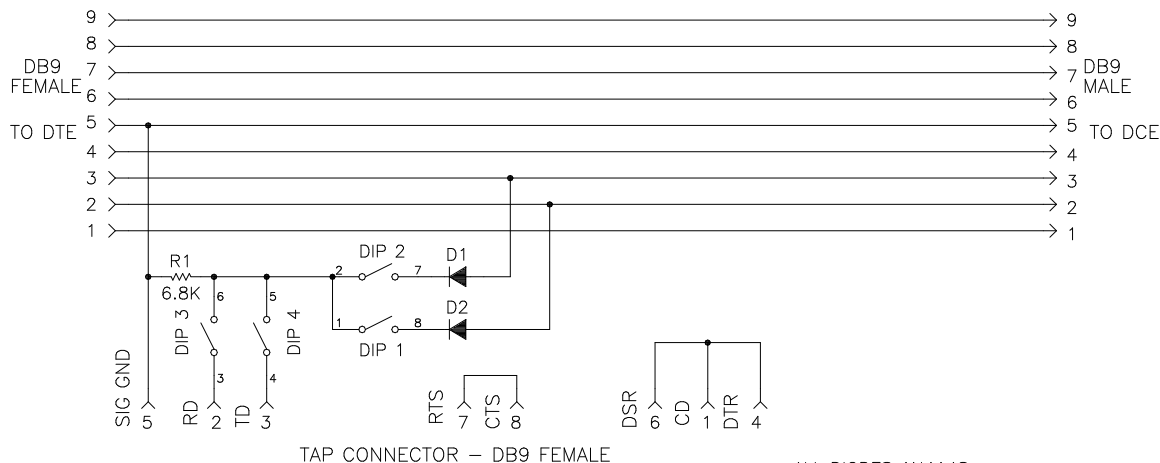
## Tap into Your RS-232 Data Lines



### Description

The **9PCDT** allows an RS-232 port to tap into and check the data being transmitted between two other RS-232 ports. Switches make it simple to choose between monitoring the DCE or DTE port. The 9PCDT also allows the monitoring port to be either DTE or DCE.


The DTE connector is male, and the DCE and TAP connectors are female. All nine lines are run through from the DCE to the DTE connectors. On the TAP connector RTS (pin 7) is tied to CTS (pin 8) and DSR (pin 6) is tied to CD (pin 1) and DTR (pin 4). Signal ground (pin 5) is tied into the signal ground for the DCE and DTE connectors.



TAP CONNECTOR – DB9 FEMALE

ALL DIODES 1N4148  
 REV1—ADDED R1 FOR HIGHER BAUDRATE  
 SUPPORT (UP TO 115.2K) NEWER PC HAD  
 PROBLEM PULLING LINE DOWN OR TO -10V

Switch	Description
SW1	Monitor RD (pin 2)
SW2	Monitor TD (pin 3)
SW3	Tap receives data on pin 2
SW4	Tap receives data on pin 3

DECLARATION OF CONFORMITY	
Manufacturer's Name:	B&B Electronics Manufacturing Company
Manufacturer's Address:	P.O. Box 1040 707 Dayton Road Ottawa, IL 61350 USA
Model Numbers:	9PCDT
Description:	9-Pin Data Tap
Type:	Light industrial ITE equipment
Application of Council Directive:	89/336/EEC
Standards:	EN 55022 EN 61000-6-1 EN 61000 (-4-2, -4-3, -4-4, -4-5, -4-6, -4-8, -4-11)
 Michael J. Fahrion, Director of Engineering	

