

THE INFORMATION CONTAINED HEREIN IS PROPRIETARY OF B&B ELECTRONICS MFG. CO. ANY REPRODUCTION, DISCLOSURE OR USE OF THIS DRAWING, IN WHOLE OR PART IS HEREBY PROHIBITED EXCEPT AS SPECIFIED IN WRITING BY B&B ELECTRONICS MFG. CO.

REVISIONS

DESCRIPTION	DATE	APP.

ELECTRICAL:

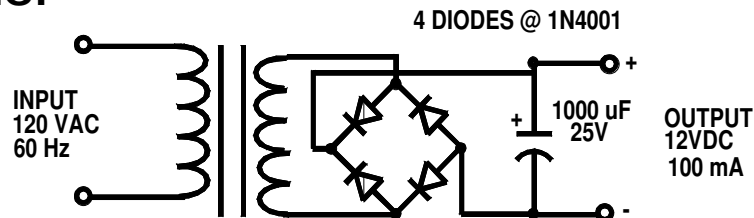
1. GENERAL SPECIFICATIONS:

ITEM	DESCRIPTION	CONDITION
VI VL OT VO VR VDPS IP	INPUT VOLTAGE OUTPUT VOLTAGE FULL LOAD: OUTPUT TOLERANCE: OUTPUT VOLTAGE AT NO LOAD VOLTAGE RIPPLE DIELECTRIC WITHSTAND VOLTAGE: PRIMARY EXCITING CURRENT:	120 VAC/60 HZ 12 VDC@100ma +/- 5% @ FULL LOAD 18.0 VDC MAX 0.9 V p-p 1500 VAC FOR 1 SEC. BETWEEN PRIMARY AND SECONDARY
TR	@ FULL LOAD @ NO LOAD TEMPERATURE RISE:	35.0 mA MAX. 45.0 mA MAX. 70 DEG. C MAX @ 25 DEG. C AMBIENT

2. TEST RECORD:

ITEM SAMPLE	IO (mA)	IP (mA)	VL	VO	VR(mV P-P)
# 1	12.0	22.1	12.0	16.2	0.5
# 2	10.8	22.1	12.0	16.2	0.5
# 3	13.3	23.2	12.0	16.2	0.5

3. SCHEMATIC:



SPECIFICATION CONTROL DRAWING

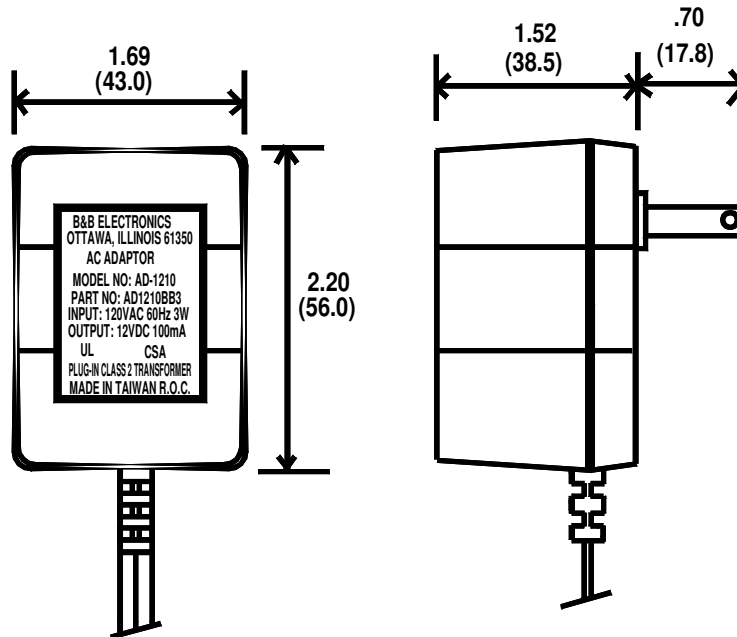
DATE: APRIL 15, 1994	B&B ELECTRONICS Mfg. Co. OTTAWA , IL 61350 (815) 433-5100		
DRAWN By: RANDY HANCK	TITLE ADAPTER, AC 120 VOLT INPUT DC OUTPUT 12 VOLTS @ 100 mA.		
APPROVED By:	FILE = 422PS1.SKD	MODEL NUMBER: 422PS	Rev.
SCALE : 1X		SHEET 1 of 3	

MECHANICAL: $\frac{\text{INCH}}{\text{(MM)}}$

REVISIONS		
DESCRIPTION	DATE	APP.

4. HOUSING:

MATERIAL : BLACK COLOR
HIGH IMPACT PLASTIC
ABS OR NORYL



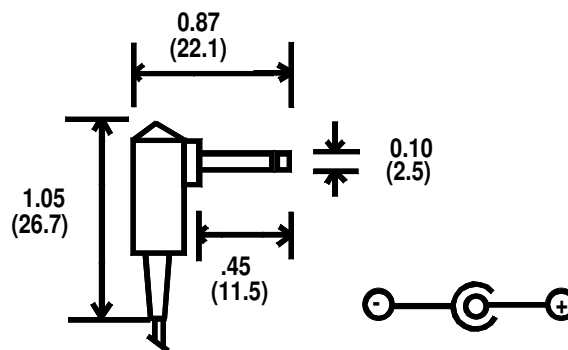
5. OUTPUT CORD:

LENGTH: 72.0 MIN. +/- 2.0
(1830) (50.0)

DC CORD: BLACK COLOR
24 AWG X 2 CONDUCTORS
FLAT TYPE. (PVC) WITH
MOLDED STRAIN RELIEF.

6. OUTPUT CONNECTOR:

CUSTOM RIGHT ANGLE TYPE
DC POWER MINI-PLUG, MOLDED
WITH STRAIN RELIEF. .10 (2.5 mm)
DIAMETER SHAFT. TIP POSITIVE



7. SAFETY COMPLIANCE:

UNIT IS UL LISTED AND CSA APPROVED.

DATE: APRIL 15, 1994	B&B ELECTRONICS Mfg. Co. OTTAWA , IL 61350 (815) 433-5100		
DRAWN By: RANDY HANCK	TITLE ADAPTER, AC 120 VOLT INPUT DC OUTPUT 12 VOLTS @ 100 mA.		
APPROVED By:	FILE = 422PS2A.SK1	MODEL NUMBER: 422PS	Rev.
SCALE : 1X		SHEET 2 of 3	

REVISIONS		
DESCRIPTION	DATE	APP.

8. LABEL

MATERIAL: .007 THICK FLAT PVC SHEET.
 COLOR: LABEL BLACK: NOMENCLATURE. WHITE.

B&B ELECTRONICS
 OTTAWA, ILLINOIS 61350

AC ADAPTOR

 MODEL NO: AD-1210
 PART NO: AD1210BB3
 INPUT: 120VAC 60Hz 3W
 OUTPUT: 12VDC 100mA

 UL CSA
 PLUG-IN CLASS 2 TRANSFORMER
 MADE IN TAIWAN R.O.C.

9. INDIVIDUAL PACKING BOX

MATERIAL : CORRUGATED FIBERBOARD.
 F FLUTE. SINGLE WALL CONSTRUCTION.

 FINISH: WHITE COLOR. COATED WITH
 GLOSS FINISH (AQUEOUS OR VARNISH).

 STYLE: TUCK TOP. SNAP-LOCK BOTTOM.

APRIL 15, 1994	B&B ELECTRONICS Mfg. Co. OTTAWA , IL 61350 (815) 433-5100		
DRAWN By: RANDY HANCK	TITLE ADAPTER, AC 120 VOLT INPUT DC OUTPUT 12 VOLTS @ 100 mA.		
APPROVED By:	FILE = 422PS_3.SKD	MODEL NUMBER: 422PS	Rev.
SCALE : 1X		SHEET 3 of 3	