


# 12 x 12 SMD Tactile Switch B3FS-4

## Surface-mounting Switches with 12 x 12 mm size

- Surface-mounting device of B3F-4 series.
- Distinctive snapping action and extended mechanical and electrical service life.
- Available in embossed taping packages for automatic mounting.
- RoHS Compliant



## Ordering Information

Type	Plunger	Height	Operating force (OF)	Embossed tape	
				Model	Quantity per reel
12 x 12 mm B3FS Series	 (Flat type)	4.3 mm	150 gf (1.47 N)	B3FS-4002P	1,000

**Note:** Order in multiples of the minimum order unit. Switches are not sold individually.

## Specifications

### ■ Characteristics

<b>Contact form</b>	SPST-NO
<b>Switching capacity</b>	1 to 50 mA at 5 to 24 VDC (resistive load)
<b>Contact resistance</b>	100 mΩ max. (rated: 1 mA at 5 VDC)
<b>Insulation resistance</b>	100 MΩ (at 250 VDC)
<b>Dielectric strength</b>	500 VAC, 50/60 Hz for 1 min.
<b>Vibration resistance</b>	Malfunction: 10 to 55 Hz, 1.5-mm double amplitude
<b>Shock resistance</b>	Destruction: 1,000 m/s <sup>2</sup> (approx. 100 G) max. Malfunction: 100 m/s <sup>2</sup> (approx. 10G) max.
<b>Ambient operating temperature</b>	-25 to 70°C (at 60% RH max.) with no icing or condensation
<b>Ambient operating humidity</b>	35% to 85% (at 5 to 35°C)
<b>Service Life</b>	3,000,000 operations min.
<b>Weight</b>	Approx. 1g

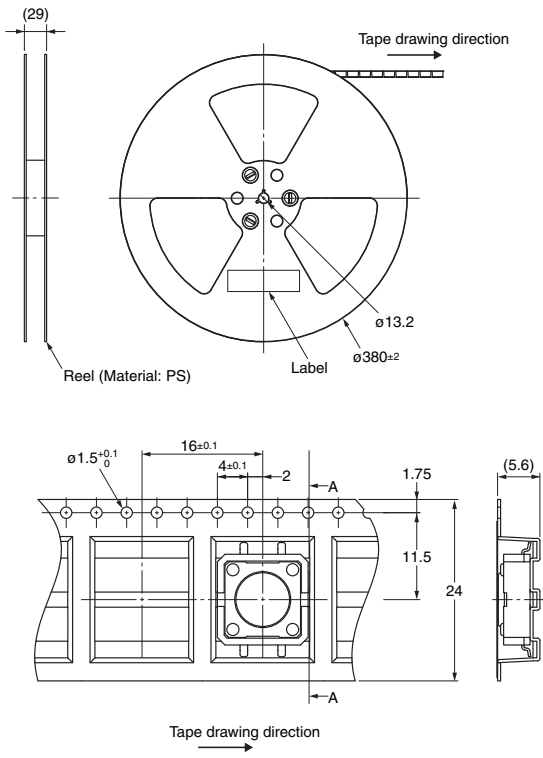
**Note:** Data shown are of initial value

### ■ Operating Characteristics

Characteristics	B3FS-4002P
Operating force (OF)	150 ± 50 gf (1.47 ± 0.49 N)
Release force (RF) min.	15 gf (0.15 N)
Pretravel (PT)	0.25 ± 0.15 mm



Packaging Specifications for Embossed Taping



All sales are subject to Omron Electronic Components LLC standard terms and conditions of sale, which can be found at [http://www.components.omron.com/components/web/webfiles.nsf/sales\\_terms.html](http://www.components.omron.com/components/web/webfiles.nsf/sales_terms.html)

**ALL DIMENSIONS SHOWN ARE IN MILLIMETERS.**  
To convert millimeters into inches, multiply by 0.03937. To convert grams into ounces, multiply by 0.03527.

---

**OMRON**<sup>®</sup>

**OMRON ELECTRONIC  
COMPONENTS LLC**

55 E. Commerce Drive, Suite B  
Schaumburg, IL 60173

**847-882-2288**

**OMRON ON-LINE**

Global - <http://www.omron.com>

USA - <http://www.components.omron.com>