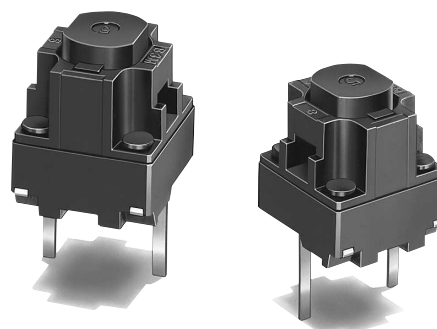


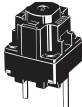
Tactile Switch B3M

Designed for a Long Stroke and Positive Click

- Long stroke of 0.85 mm provides radically improved operability.
- Light touch with a minimum overstroke of 0.25 mm.
- Improved reliability with a service life of 2,000,000 operations.
- RoHS Compliant.



Ordering Information

Size	Switch height	Operating force (OF)	Model
6 x 6 mm type 	7.3	70 ± 20 gf	B3M-6009

Important Note: Switches cannot be water-washed.

Specifications

■ Characteristics

Contact form	SPST-NO
Switching capacity	1 to 50 mA, 5 to 12 VDC (resistive load)
Contact resistance	500 mΩ max. (rated: 1 mA, 5 VDC)
Insulation resistance	100 MΩ min. (at 250 VDC)
Dielectric strength	250 VAC, 50/60 Hz for 1 min.
Bounce time	5 ms max.
Vibration resistance	Malfunction: 10 to 55 Hz, 1.5 mm double amplitude
Shock resistance	Malfunction: 100 m/s ² max. (approx. 10 G max.)
Life expectancy	2,000,000 operations min.
Ambient operating temperature	-25° to 70°C (at 60% RH max.) with no icing or condensation
Ambient operating humidity	35% to 85% (at 5 to 35°C)
Weight	Approx. 0.27 g

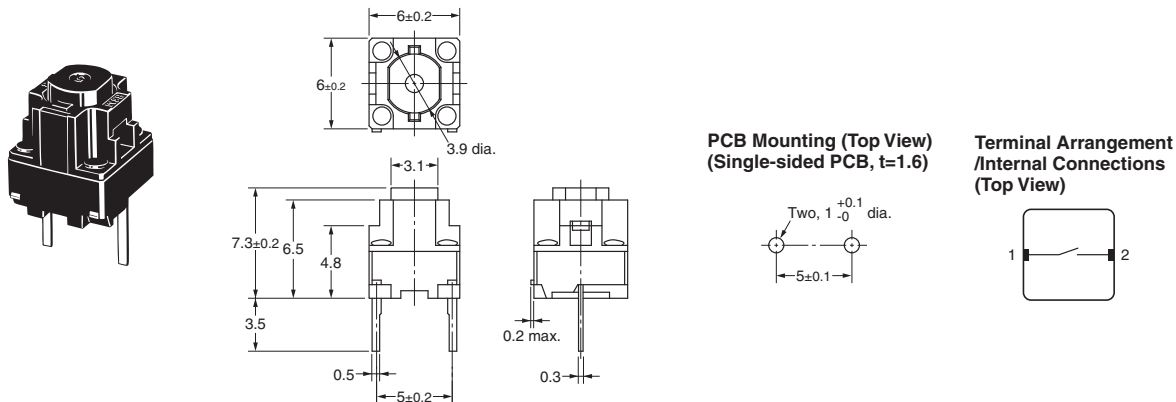
■ Operating Characteristics

Operating force (OF)	70 ± 20 gf
Releasing force (RF min.)	20 gf min.
Pretravel (PT)	0.5 mm max.
Overtravel (OT)	0.2 mm min.

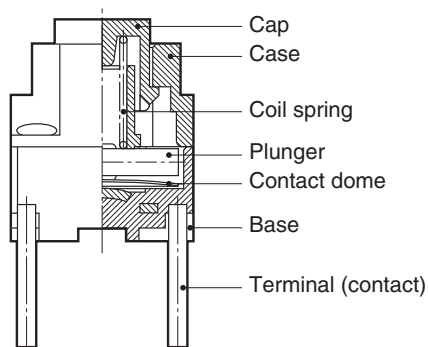
Dimensions

- Note:** 1. Unless otherwise specified, all units are in millimeters and a tolerance of ± 0.4 mm applies to all dimensions.
 2. Terminal numbers are not indicated on this switch. With the switch turned over so that the logo mark "OMRON" is visible on the upper part of the rear side of the switch base, the terminal on the top of the logo mark is numbered "1" and that on the bottom is "2."

■ B3M-6009

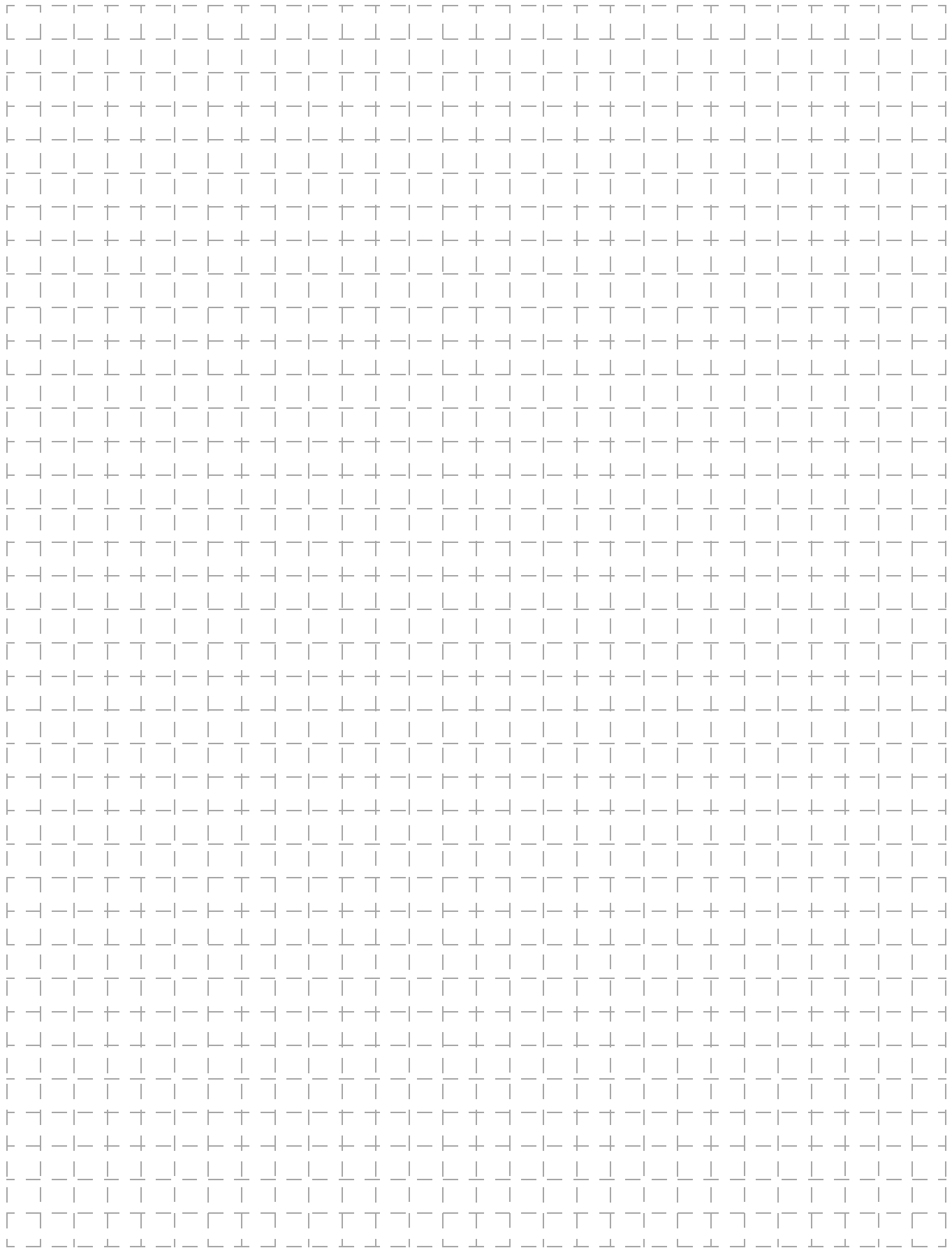


■ Construction



Precautions

Be sure to read the precautions common to all Tactile Switches, contained in the Technical User's Guide, "Tactile Switches, Technical Information" for correct use.



All sales are subject to Omron Electronic Components LLC standard terms and conditions of sale, which can be found at http://www.components.omron.com/components/web/webfiles.nsf/sales_terms.html

ALL DIMENSIONS SHOWN ARE IN MILLIMETERS.
To convert millimeters into inches, multiply by 0.03937. To convert grams into ounces, multiply by 0.03527.

OMRON[®]

**OMRON ELECTRONIC
COMPONENTS LLC**

55 E. Commerce Drive, Suite B
Schaumburg, IL 60173

847-882-2288

OMRON ON-LINE

Global - <http://www.omron.com>

USA - <http://www.components.omron.com>