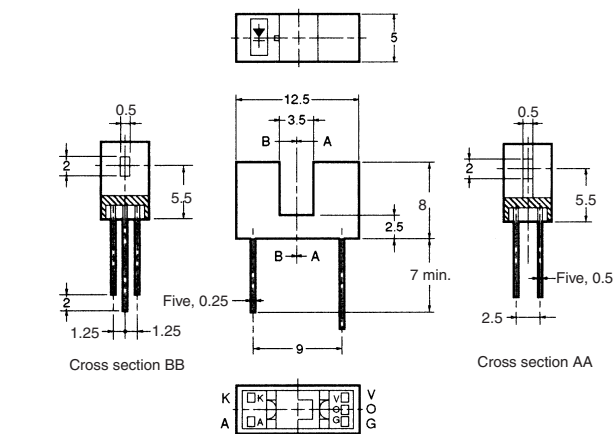


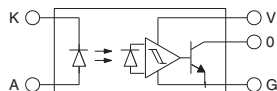
Photomicrosensor (Transmissive) EE-SX384/-SX484

■ Dimensions

Note: All units are in millimeters unless otherwise indicated.



Internal Circuit



Terminal No.	Name
A	Anode
K	Cathode
V	Power supply (V _{CC})
O	Output (OUT)
G	Ground (GND)

Unless otherwise specified, the tolerances are ±0.2 mm.

■ Features

- Incorporates an IC chip with a built-in detector element and amplifier.
- Incorporates a detector element with a built-in temperature compensation circuit.
- A wide supply voltage range: 4.5 to 16 VDC
- Directly connects with C-MOS and TTL.
- High resolution with a 0.5-mm-wide sensing aperture.
- Dark ON model (EE-SX384); Light ON model (EE-SX484)
- RoHS Compliant.

■ Absolute Maximum Ratings (Ta = 25°C)

Item		Symbol	Rated value
Emitter	Forward current	I _F	50 mA (see note 1)
	Reverse voltage	V _R	4 V
Detector	Power supply voltage	V _{CC}	16 V
	Output voltage	V _{OUT}	28 V
	Output current	I _{OUT}	16 mA
	Permissible output dissipation	P _{OUT}	250 mW (see note 1)
Ambient temperature	Operating	T _{opr}	-40°C to 75°C
	Storage	T _{stg}	-40°C to 85°C
Soldering temperature		T _{sol}	260°C (see note 2)

- Note: 1. Refer to the temperature rating chart if the ambient temperature exceeds 25°C.
2. Complete soldering within 10 seconds.

■ Ordering Information

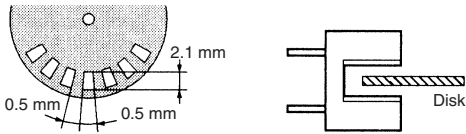
Description	Model	
Photomicrosensor (transmissive)	Dark ON	EE-SX384
	Light ON	EE-SX484

■ Electrical and Optical Characteristics (Ta = 25°C)

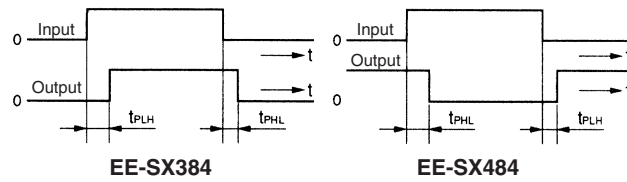
Item	Symbol	Value	Condition
Emitter	Forward voltage	V _F	1.2 V typ., 1.5 V max. I _F = 20 mA
	Reverse current	I _R	0.01 μA typ., 10 μA max. V _R = 4 V
	Peak emission wavelength	λ _p	940 nm typ. I _F = 20 mA
Detector	Low-level output voltage	V _{OL}	0.12 V typ., 0.4 V max. V _{CC} = 4.5 to 16 V, I _{OL} = 16 mA, I _F = 0 mA (EE-SX384), I _F = 8 mA (EE-SX484)
	High-level output voltage	V _{OH}	15 V min. V _{CC} = 16 V, R _L = 1 kΩ, I _F = 8 mA (EE-SX384), I _F = 0 mA (EE-SX484)
	Current consumption	I _{CC}	3.2 mA typ., 10 mA max. V _{CC} = 16 V
	Peak spectral sensitivity wavelength	λ _p	870 nm typ. V _{CC} = 4.5 to 16 V
LED current when output is OFF	I _{FT}	3 mA typ., 8 mA max.	V _{CC} = 4.5 to 16 V
LED current when output is ON			
Hysteresis	ΔH	15% typ.	V _{CC} = 4.5 to 16 V (see note 1)
Response frequency	f	3 kHz min.	V _{CC} = 4.5 to 16 V, I _F = 15 mA, I _{OL} = 16 mA (see note 2)
Response delay time	t _{PLH} (t _{PHL})	3 μs typ.	V _{CC} = 4.5 to 16 V, I _F = 15 mA, I _{OL} = 16 mA (see note 3)
Response delay time	t _{PHL} (t _{PLH})	20 μs typ.	V _{CC} = 4.5 to 16 V, I _F = 15 mA, I _{OL} = 16 mA (see note 3)

Note: 1. Hysteresis denotes the difference in forward LED current value, expressed in percentage, calculated from the respective forward LED currents when the photo IC is turned from ON to OFF and when the photo IC is turned from OFF to ON.

2. The value of the response frequency is measured by rotating the disk as shown below.



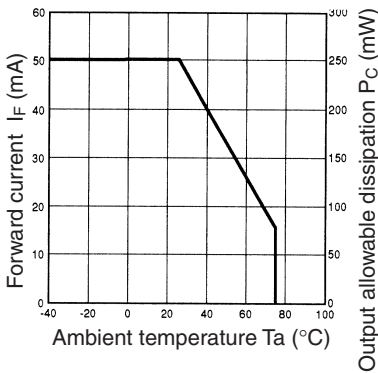
3. The following illustrations show the definition of response delay time. The value in the parentheses applies to the EE-SX484.



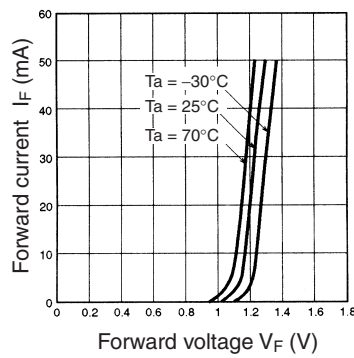
Engineering Data

Note: The values in the parentheses apply to the EE-SX484.

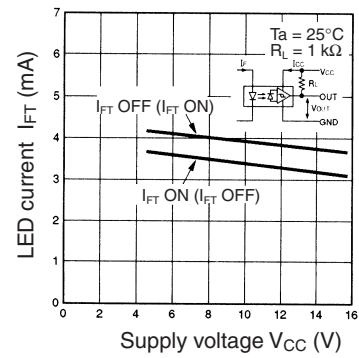
Forward Current vs. Collector Dissipation Temperature Rating



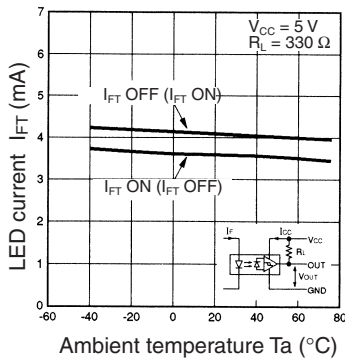
Forward Current vs. Forward Voltage Characteristics (Typical)



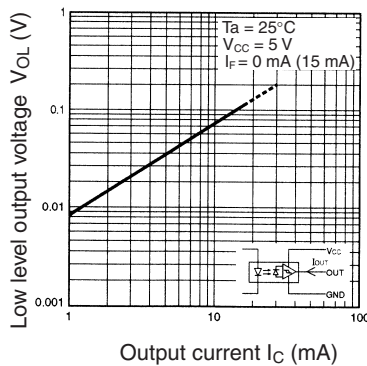
LED Current vs. Supply Voltage (Typical)



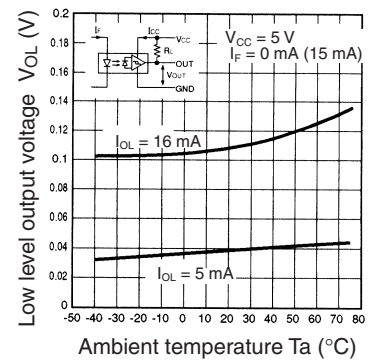
LED Current vs. Ambient Temperature Characteristics (Typical)



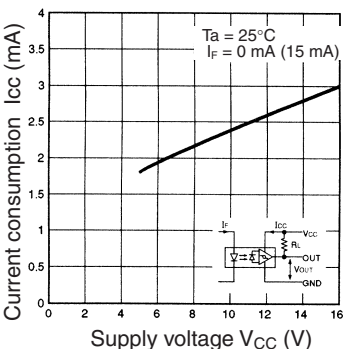
Low-level Output Voltage vs. Output Current (Typical)



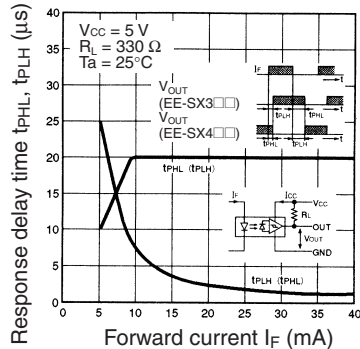
Low-level Output Voltage vs. Ambient Temperature Characteristics (Typical)



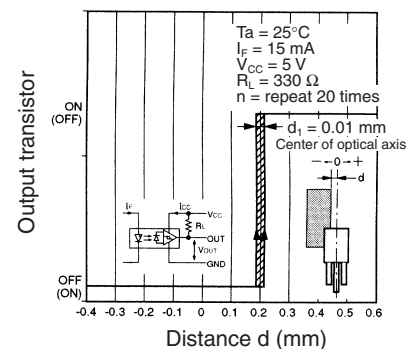
Current Consumption vs. Supply Voltage (Typical)



Response Delay Time vs. Forward Current (Typical)



Repeat Sensing Position Characteristics (Typical)



A large grid of 20 columns and 30 rows of small squares, used for taking notes or recording data. The grid is composed of thin, light gray lines forming a uniform pattern across the page.

All sales are subject to Omron Electronic Components LLC standard terms and conditions of sale, which can be found at http://www.components.omron.com/components/web/webfiles.nsf/sales_terms.html

ALL DIMENSIONS SHOWN ARE IN MILLIMETERS.
To convert millimeters into inches, multiply by 0.03937. To convert grams into ounces, multiply by 0.03527.

OMRON[®]

**OMRON ELECTRONIC
COMPONENTS LLC**

55 E. Commerce Drive, Suite B
Schaumburg, IL 60173

847-882-2288

OMRON ON-LINE

Global - <http://www.omron.com>

USA - <http://www.components.omron.com>