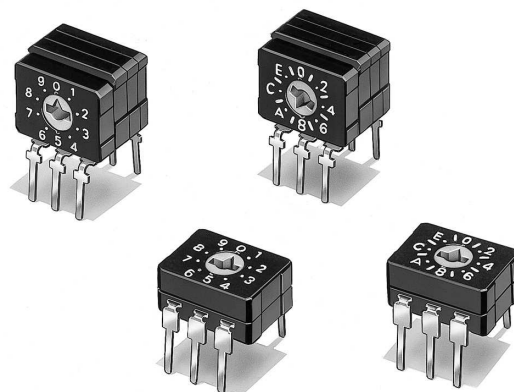


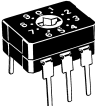
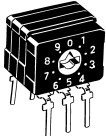
Sealed Rotary DIP Switch A6C/A6CV

Highly Reliable Subminiature DIP Switch

- A precise rotary cam and contact driving mechanism achieve compactness for high-precision mounting.
- Top-actuated and side-actuated models included in series.
- Insert-molded terminals and an O-ring sealed rotor combine to form a sealed construction equivalent to IP64 (IEC 60529) that prevents flux penetration and provides high contact reliability even in dusty locations and locations where water is used.
- Offset between terminal pins and side of case allows simple circuit inspection
- RoHS Compliant



Ordering Information

		Part numbers	
		Top actuated	Side actuated
Output code	No. of positions		
BCD 1-2-4-8	10	A6C-10R(N)	A6CV-10R
BCD Hexadecimal 1-2-4-8	16	A6C-16R(N)	A6CV-16R

Important Note: Switches cannot be water-washed.

Specifications

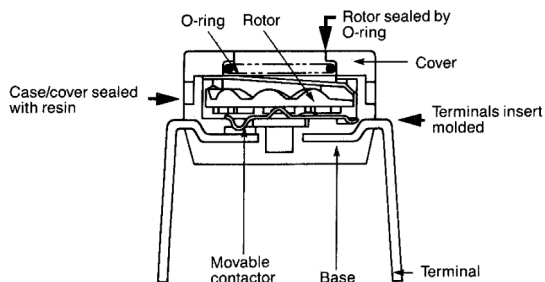
■ Characteristics

Switching capacity		100 mA at 30 VDC
Minimum Permissible load		10 μ A at 3.5 VDC min.
Contact resistance		200 M Ω max.
Insulation resistance		100 M Ω min. (at 250 VDC)
Dielectric strength		250 VAC for 1 minute between terminals
Operating torque		100 g-cm (0.98 x 10 ⁻² N-m) max.
Vibration resistance	Malfunction durability	10 to 55 Hz, 1.5 mm double amplitude
Shock resistance	Malfunction durability	300 m/s ² (30 G) min.
Ambient operating temperature		-20° to 70°C at 60% RH max. (with no icing or condensation)
Ambient operating humidity		35% to 95% RH (at 5 to 35°C)
Service life	Mechanical	10,000 detent operations min.
	Electrical	2,000 detent operations min.
Weight		Top-actuated: Approx. 0.4 g Side-actuated: Approx. 0.8 g

Note: Data shown are of initial value.

Construction

The movable contactor is moved as the rotor rotates. The terminals are insert molded into the base. The rotor is secured by an O-ring and the case and the cover are made of plastic resin. Therefore, the internal mechanism is effectively sealed.



Output Codes

10-position Models

Terminal No. Position	BCD 1-2-4-8			
	1	2	4	8
0				
1	●			
2		●		
3	●	●		
4			●	
5	●		●	
6		●	●	
7	●	●	●	
8				●
9	●			●

16-position Models

Terminal No. Position	BCD/hexadecimal 1-2-4-8			
	1	2	4	8
0				
1	●			
2		●		
3	●	●		
4			●	
5	●		●	
6		●	●	
7	●	●	●	
8				●
9	●			●
A		●		●
B	●	●		●
C			●	●
D	●		●	●
E		●	●	●
F	●	●	●	●

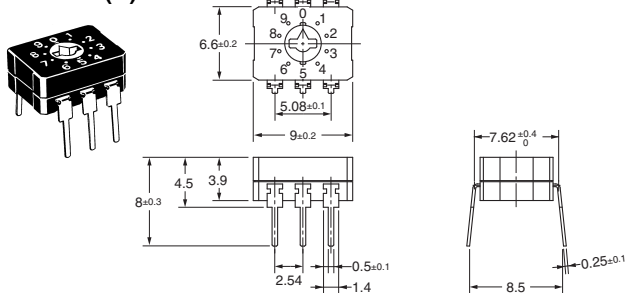
Note: "●" indicates that the internal switch is ON.

Dimensions

- Note: 1. All units are in millimeters unless otherwise indicated.
- 2. Unless otherwise specified, a tolerance of ± 0.4 mm applies to all dimensions.

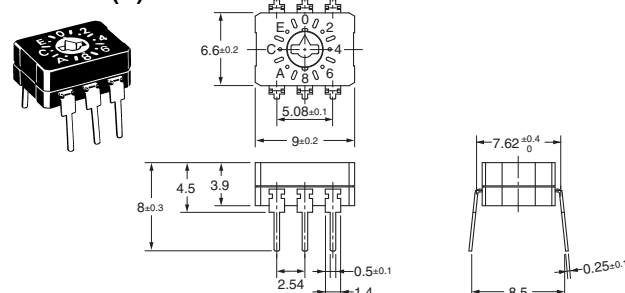
Top Actuated, 10 Positions

A6C-10R (N)



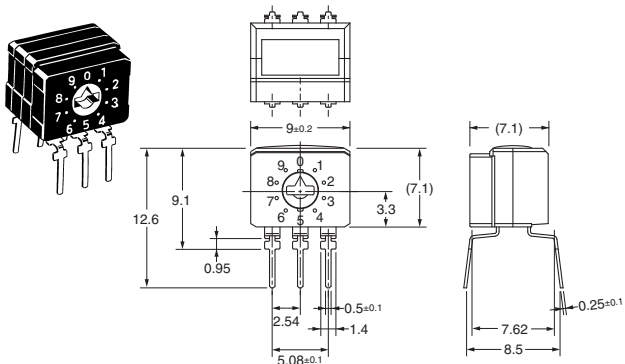
Top Actuated, 16 Positions

A6C-16R (N)



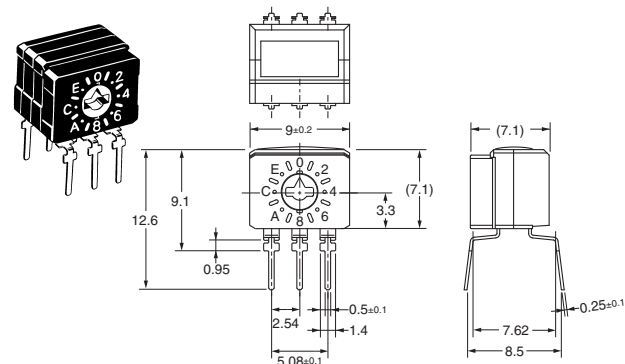
Side Actuated, 10 Positions

A6CV-10R

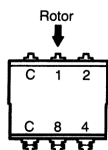


Side Actuated, 16 Positions

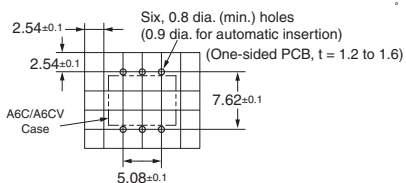
A6CV-16R



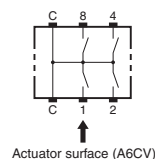
Terminal arrangement (bottom view)



Mounting holes (Top view)



Internal connections (top view)



A large grid of 20 columns and 30 rows of small squares, intended for taking notes. The grid is composed of thin lines forming a uniform pattern of squares across the page.

All sales are subject to Omron Electronic Components LLC standard terms and conditions of sale, which can be found at http://www.components.omron.com/components/web/webfiles.nsf/sales_terms.html

ALL DIMENSIONS SHOWN ARE IN MILLIMETERS.
To convert millimeters into inches, multiply by 0.03937. To convert grams into ounces, multiply by 0.03527.

OMRON[®]

**OMRON ELECTRONIC
COMPONENTS LLC**

55 E. Commerce Drive, Suite B
Schaumburg, IL 60173

847-882-2288

OMRON ON-LINE

Global - <http://www.omron.com>

USA - <http://www.components.omron.com>