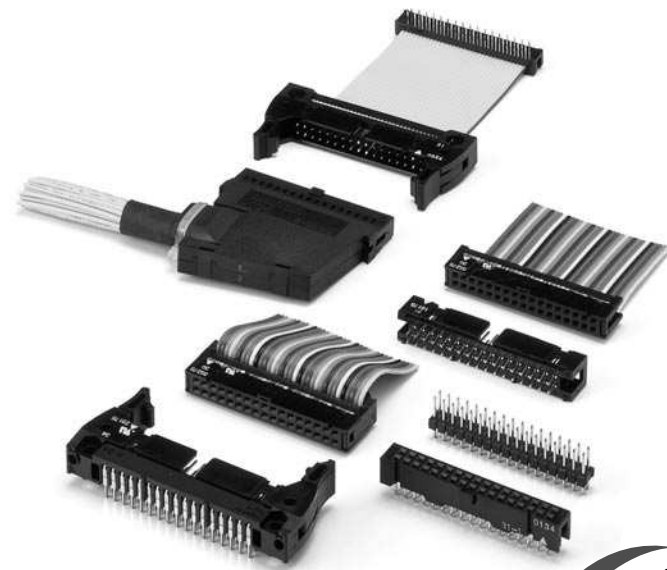


XG□ and XJ8

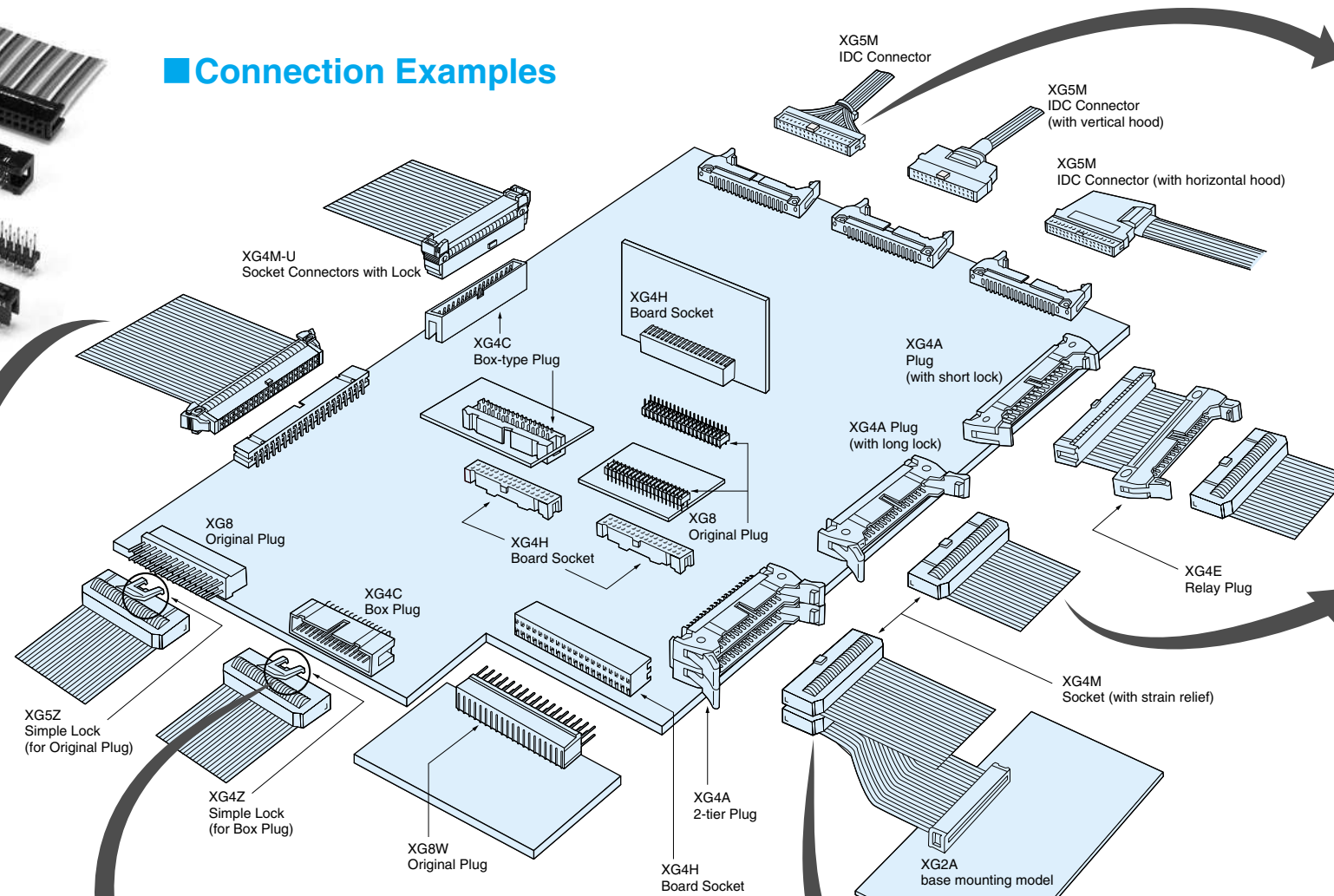
Flat Cable Connectors and Jump Connectors

Flat Cable Connectors Responding to a Variety of Needs for Connecting Wires to PCBs

IDC: Insulation Displacement Connection

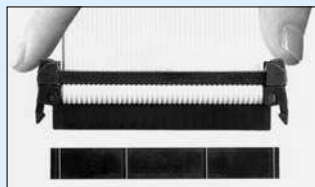


Connection Examples

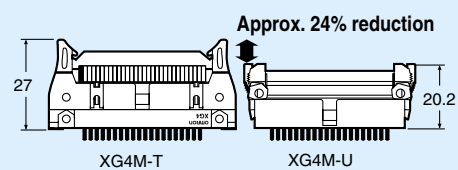
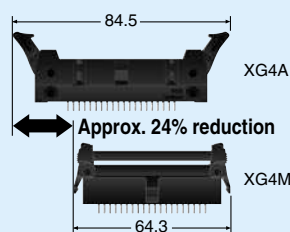


●XG4M-U Socket Connectors with lock

Connection and Disconnection with One Hand



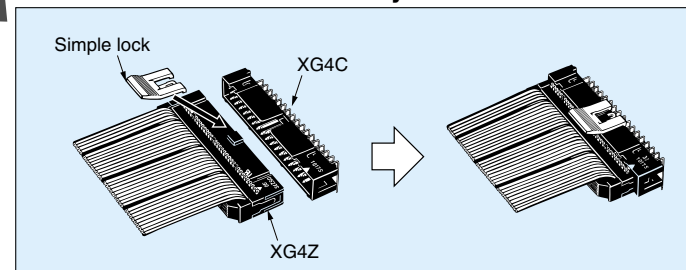
Space Saving



(compared to 40-mm models; unit: mm)

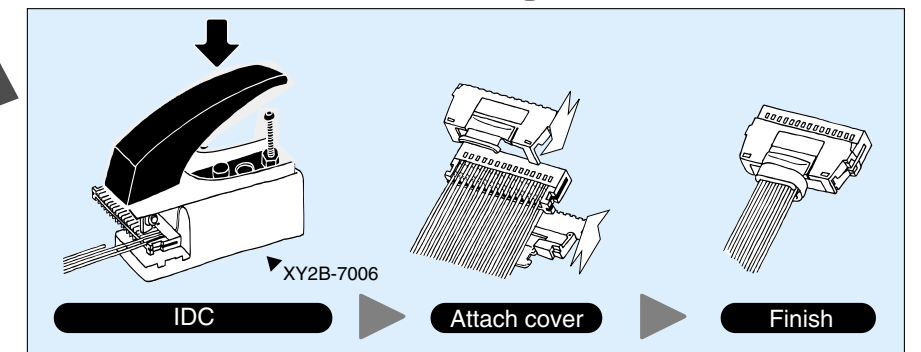
●XG4Z/XG5Z Simple Lock (for Box Plug)

The Simple Lock for the Box Plug makes it possible to lock the Connector securely.

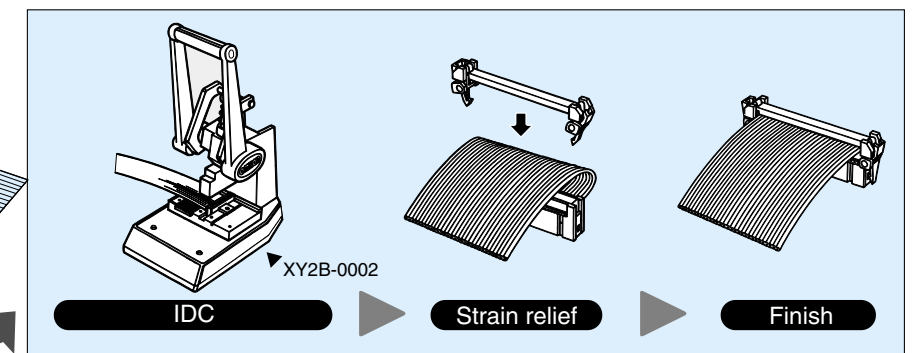


●XG5M IDC Connectors

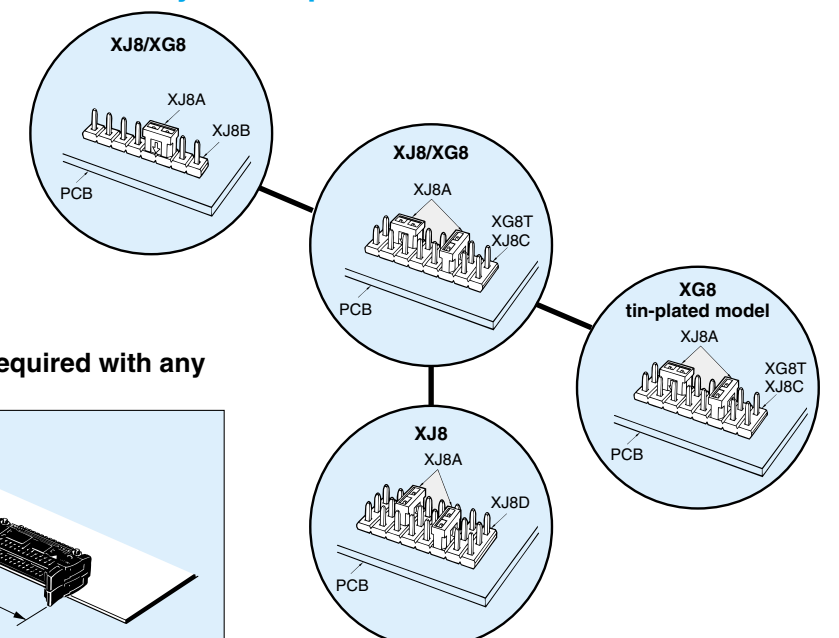
Wiring performed with special tool, eliminating the need for wire-end stripping or crimping.



●XG4M IDC Connectors



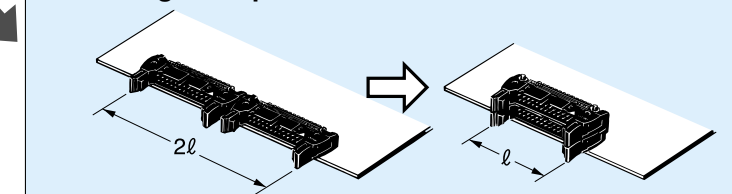
■A Variety of Jump Connectors



●XG4A-A 2-tier Plugs

2-tier plugs occupying half the space required with any conventional model.

●Mounting Example



XG□ and XJ8

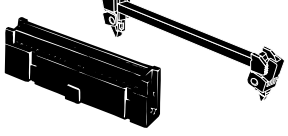
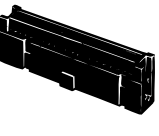
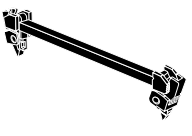
Flat Cable Connectors and Jump Connectors

Ordering Information

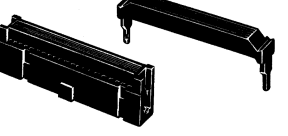
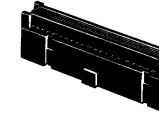
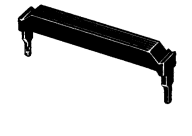
●XG4M Socket connectors with lock

XG4M-□□30-U

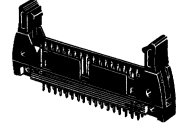
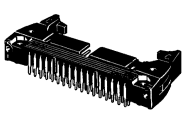
XG4M-□□31-U

Shape	Set Model XG4M-□□30-U *1 XG4M-□□31-U *2 	Socket (with open-end cover) XG4M-□□30 *1 XG4M-□□31 *2 	Strain relief (with lock) XG4U-□□04 
Number of contacts			
*1: 1 Polarizing guide	10,14,16,20,26,30,34,40,50,60,64	10,14,16,20,26,30,34,40,50,60,64	
*2: 2 Polarizing guide	50,60,64	50,60,64	10,14,16,20,26,30,34,40,50,60,64
*2: 0 Polarizing guide	10	10	

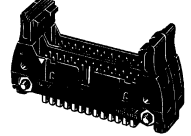
●XG4M Socket connectors

Shape	Set Model XG4M-□□30-T *1 XG4M-□□31-T *2 	Socket (with open-end cover) XG4M-□□30 *1 XG4M-□□31 *2 	Strain relief (for XG4M) XG4T-□□04 
Number of contacts			
*1: 1 Polarizing guide	10,14,16,20,26,30,34,40,50,60,64	10,14,16,20,26,30,34,40,50,60,64	
*2: 2 Polarizing guide	50,60,64	50,60,64	10,14,16,20,26,30,34,40,50,60,64
*2: 0 Polarizing guide	10	10	

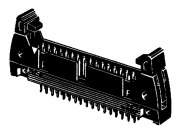
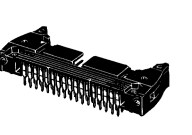
●XG4A Plug connectors with long lock

Shape	Straight terminal XG4A-□□31 *1 XG4A-□□71 *2 	Right angle terminal XG4A-□□34 *1 XG4A-□□74 *2 
Number of contacts		
*1: 1 Polarizing guide	10,14,16,20,26,30,34,40,50,60,64	10,14,16,20,26,30,34,40,50,60,64
*2: 2 Polarizing guide	50,60,64	50,60,64
*2: 0 Polarizing guide	10	10

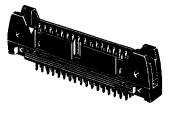
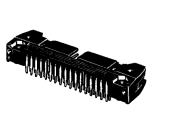
●XG4A 2-tier Plugs with long lock

Shape	Right angle terminal XG4A-□□39-A *1 XG4A-□□79-A *2 
Number of contacts	
*1: 1 Polarizing guide	10,14,16,20,26,30,34,40,50,60,64
*2: 2 Polarizing guide	50,60,64
*2: 0 Polarizing guide	10

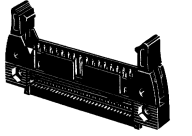
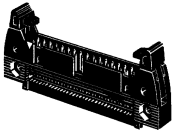

●XG4A Plug Connectors with short lock

Shape	Straight terminal XG4A-□□32 *1 XG4A-□□72 *2 	Right angle terminal XG4A-□□35 *1 XG4A-□□75 *2 
Number of contacts		
*1: 1 Polarizing guide	10,14,16,20,26,30,34,40,50,60,64	10,14,16,20,26,30,34,40,50,60,64
*2: 2 Polarizing guide	50,60,64	50,60,64
*2: 0 Polarizing guide	10	10

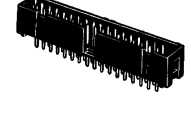
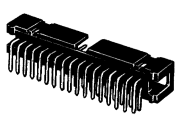
●XG4A Plugs without lock lever

Shape	Straight terminal XG4A-□□33 *1 XG4A-□□73 *2 	Right angle terminal XG4A-□□36 *1 XG4A-□□76 *2 
Number of contacts		
*1: 1 Polarizing guide	10,14,16,20,26,30,34,40,50,60,64	10,14,16,20,26,30,34,40,50,60,64
*2: 2 Polarizing guide	50,60,64	50,60,64
*2: 0 Polarizing guide	10	10

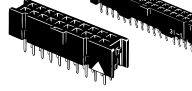
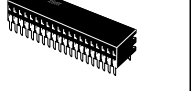
●XG4E Relay plug connectors

Shape	Long lock XG4E-□□31 *1 XG4E-□□71 *2 	Short lock XG4E-□□32 *1 XG4E-□□72 *2 	Strain relief (for XG4E) XG4S-□□04 
Number of contacts			
*1: Polarizing guide 1	10,14,16,20,26,30,34,40,50,60,64	10,14,16,20,26,30,34,40,50,60,64	
*2: Polarizing guide 2	50,60,64	50,60,64	10,14,16,20,26,30,34,40,50,60,64
*2: Polarizing guide 0	10	10	

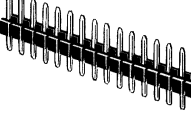
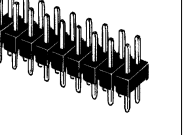
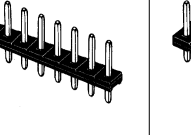
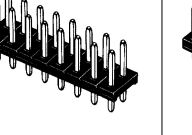
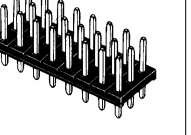

●XG4C Box type plug connectors

Shape	Straight terminal XG4C-□□31 *1 XG4C-□□71 *2 	Right angle terminal XG4C-□□34 *1 XG4C-□□74 *2 
Number of contacts		
*1: 1 Polarizing guide	10,14,16,20,26,30,34,40,50,60,64	10,14,16,20,26,30,34,40,50,60,64
*2: 2 Polarizing guide	50,60,64	50,60,64
*2: 0 Polarizing guide	10	10


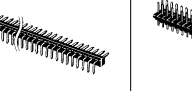
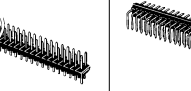
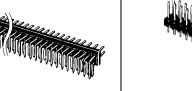
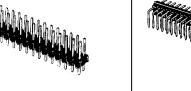

●XG4H Socket for board to board connectors

Shape	Straight terminal XG4H-□□31 *1 XG4H-□□71 *2 	Right angle terminal XG4H-4034 
Number of contacts		
*1: 1 Polarizing guide	10,14,16,20,26,30,34,40,50,60,64	40
*2: 2 Polarizing guide	50,60,64	—

●XG8/XJ8 Jump connectors

Shape	XG8S-□□31 XG8S-□□41 	XG8T-□□31 XG8T-□□41 	XJ8B-□□11 	XJ8C-□□11 	XJ8D-□□11 	XJ8A-0211 XJ8A-0241 
Number of contacts	2,3,4,6,8,16,18	2,4,6,8,10,12,14,16,18,20	2,3,4,6,8,16	2,3,4,6,8,10,12,14,16	3,6,9,12,15,18,21,24	2

●XG8 Original plugs

Shape	1-Row type Straight terminal XG8A-5031 	1-Row type Right angle terminal XG8A-5034 	2-Row type Straight terminal XG8B-0131 	2-Row type Right angle terminal XG8B-0134 	Straight terminal XG8W-□□31(Au) XG8W-□□41(Sn) 	Right angle terminal XG8W-□□34(Au) XG8W-□□44(Sn) 
Number of contacts	50	50	100	100	10,14,16,20,26,30,34,40,50,60	20,26,30,34,40,50