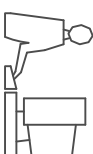




ELECTRICAL CIRCUIT:

TOLERANCE UNLESS OTHERWISE SPECIFIED IN MM:	ANGLE
0	3°
0.0	
0.00	
0.000	

THIS IS A C.A.D. GENERATED DRAWING  
DO NOT MAKE MANUAL REVISIONS TO MASTER.

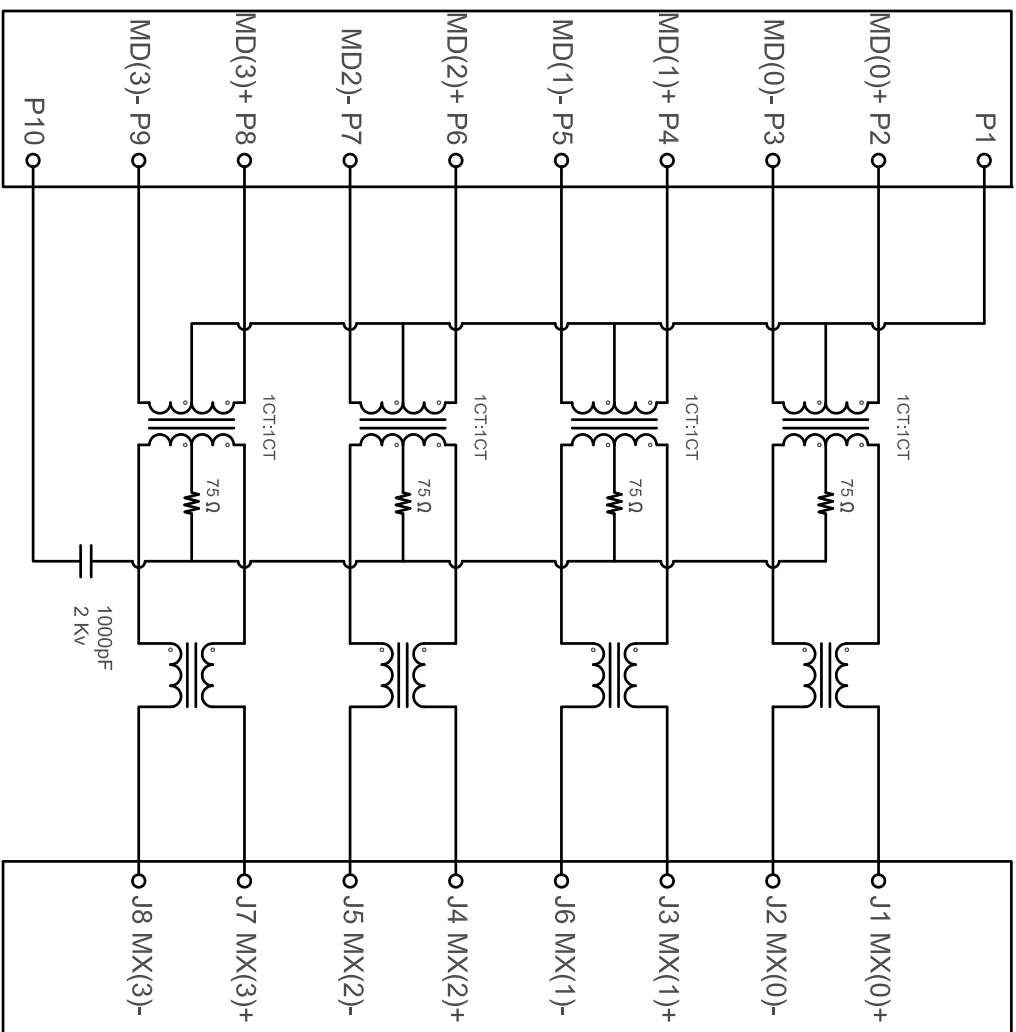


ISSUE NUMBER  
ORIGINAL

1

CONNECTOR SOLDER SIDE

RJ45 CONTACT SIDE



TEST NOTES:(25°±5°C)

1. TR:(100KHz,0.1V): 100%  
PINS:(P2,P3):(J1,J2)=1:1±3%:(P4,P5):(J3,J6)=1:1±3%  
PINS:(P6,P7):(J4,J5)=1:1±3%:(P8,P9):(J7,J8)=1:1±3%
2. LX:(100KHz,100mV,8mA, DC Bias) 100%  
PINS:(P2,P3),(P4,P5),(P6,P7),(P8,P9)=350uH MINIMUM
3. DCR: 100%  
PINS:(J1,J2),(J3,J6),(J4,J5),(J7,J8)=1.2 MAXIMUM
4. HIPOT: 100%  
PINS:(P2,P3)TO(J1,J2),(P4,P5)TO(J3,J6)=1500VAC FOR 2 SECONDS  
PINS:(P6,P7)TO(J4,J5),(P8,P9)TO(J7,J8)=1500VAC FOR 2 SECONDS
5. INSERTION LOSS:  
-1.0dB MAXIMUM AT 1 MHz TO 100MHZ:
6. RETURN LOSS:  
-20dB MINIMUM AT 1MHZ TO 30MHZ;  
-15dB MINIMUM AT 30MHZ TO 60MHZ  
-10dB MINIMUM AT 60MHZ TO 80MHZ
7. CROSS TALK:  
-30dB MINIMUM AT 0.1MHZ TO 100MHZ
9. COMMON TO COMMON MODE REJECTION:  
-30dB MINIMUM AT 300KHz TO 100MHZ

RJ45 MAGNETIC JACK WITHOUT LED, 10P, 8C  
SHIELDED/10/100/1000 Mbps FILTER

ACAD REFERENCE NO.: A60-113-300P432

DRAWN: R.STA.MONICA DATE: NOV.19/2010

CHECKED: DATE:

PART NUMBER

SEE NOTE

SHEET 2 OF 2

DRAWING NUMBER

A60-112-300P432

ISSUE

1



THIS SERIES FULLY CONFORMS TO THE  
EUROPEAN UNION DIRECTIVES 2002/95/EC  
AND 2002/96/EC FOR ROHS COMPLIANCY.



EDAC INC  
TORONTO, ONTARIO  
CANADA

YOUR CONNECTION TO QUALITY & SERVICE