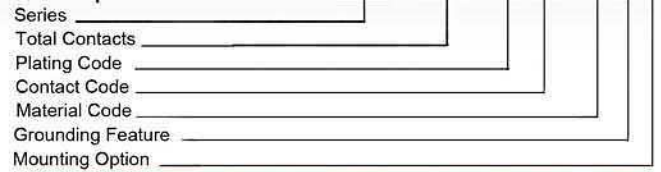




SERIES 633/634



Example Part Number 634 - 015 - 6 32 - 0 4 2



FEATURES

High-density three contact rows with .350 (8.89) footprint right angle bend

.090 (2.29) contact spacing x .078 (1.98) row spacing

Optional 9th contact recessed by .050 (1.27) on 15-pin part, in accordance with VESA Display Data Channel Standard

Receptacles and plugs 15-, 26-, 44-, 62- and 78-pin contact sizes

Socket contact mating design with PC tail termination

Metal shell provides EMI/RFI shielding, Plug Shell indents provide grounding and additional mating retention

Grounding features include top or bottom ground plates and two- or four-prong boardlock for exceptional retention to PC Board

Mounting options for panel mount or connector mating include through hole, threaded inserts and threaded standoffs

D-shaped connector mating outline provides polarization Design based on requirements of MIL-C-24308, EIA RS-232 and RS-449

SPECIFICATIONS

Insulator Material: Thermoplastic polyester UL 94V-0; chemical resistant; colour - black or blue

Ferrite Specifications: Attenuation - 17db MIN @ 30Mhz, 25dB MIN @ 50MHz, and 40dB @ 100Mhz

Contact Material: Receptacle contacts - phosphor bronze

Contact Plating: Gold (see Ordering Code) over nickel for the mating area; tin plating on contact tails

Shell Material: Tin-plated steel

Current Rating: 5 amperes

Contact Resistance: 10 milliohms maximum

Dielectric Withstanding Voltage: 1000 V AC rms at sea level

Insulation Resistance: 5000 megohm minimum

Operating Temperature: -55 to + 105 degrees C

Engagement and Separation Force: 1 to 10 oz (0.28 to 2.78 N) per contact position

Series	
633	Plug
634	Receptacle

Total Contacts	015, 026, 044, 062 (078 Female Only)
-----------------------	--------------------------------------

Plating Code	
2	Gold Flash (Class 3)
5	10u" (0.25um) (Class 2)
6	30u" (0.76um) (Class 1)

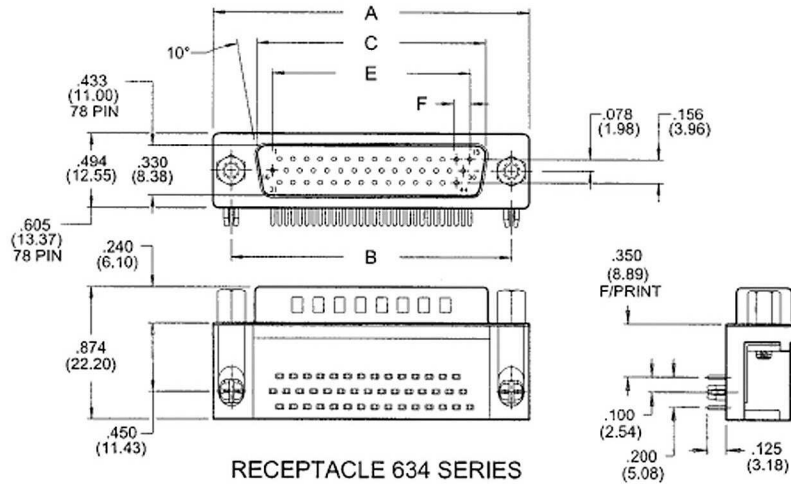
Contact Code	Description
63	Standard contacts, black plastic
68	Ferrite Filter
73	9th contact recessed .050 (1.27), black insulator
74	9th contact recessed .050 (1.27), blue insulator

Material Code	
0	Indicates Generic Internal Use Code

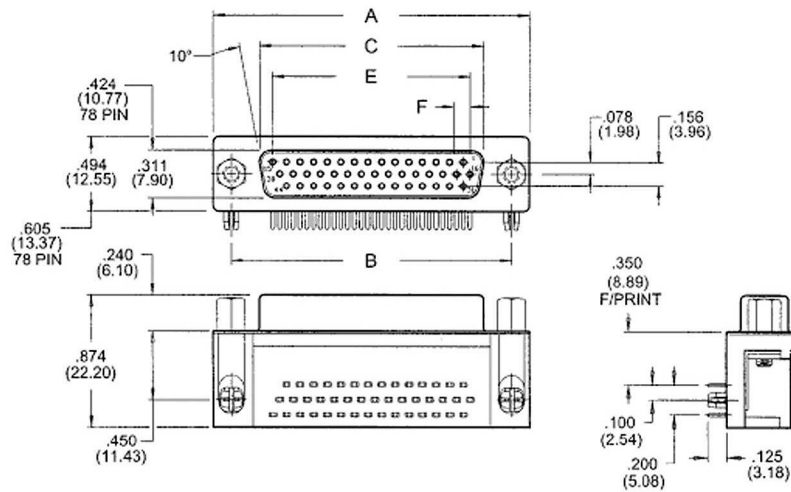
Grounding Feature	
1	.120 (3.05) dia. through-hole top ground
2	.120 (3.05) dia. through-hole bottom ground (633)
3	Two-prong boardlocks for .120 (3.05) dia. hole
4	Four-prong boardlocks for .120 (3.05) dia. hole
9	High-temperature four-prong boardlocks

Mounting Option	
0	Fixed round standoff with threaded insert
1	.125" (3.18mm) dia. through-hole
2	#4-40 UNC threaded insert
3	#4-40 threaded hex standoff

PLUG 633 SERIES



RECEPTACLE 634 SERIES



NUMBER OF CONTACTS	A		B		C PLUG		C RECEPTACLE		E		F	
	Inch	(mm)	Inch	(mm)	Inch	(mm)	Inch	(mm)	Inch	(mm)	Inch	(mm)
15	1.214	(30.84)	.984	(24.99)	.667	(16.92)	.640	(16.26)	.405	(10.29)	.090	(2.29)
26	1.545	(39.24)	1.312	(33.32)	.994	(25.25)	.967	(24.56)	.765	(19.43)	.090	(2.29)
44	2.088	(53.04)	1.852	(47.04)	1.534	(38.96)	1.508	(38.30)	1.305	(33.15)	.090	(2.29)
62	2.730	(69.34)	2.500	(63.50)	2.182	(55.42)	2.156	(54.76)	1.947	(49.45)	.095	(2.41)
78	2.635	(66.93)	2.406	(61.11)	2.090	(53.08)	2.064	(52.43)	1.805	(45.85)	.095	(2.41)