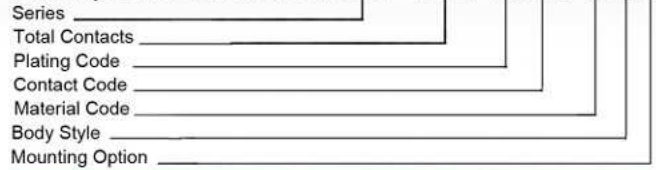




SERIES 637/638



Example Part Number **637 - 015 - 2 30 - 0 4 7**



FEATURES

- High profile available in machine contacts. (15- and 26-pin contacts only)
- .090" (2.29mm) contact spacing x .078" (1.98mm) row spacing
- Plug and receptacle in 15-, 26-, 44-, 62- and 78- pin contact sizes
- Pin and socket contact mating design with PC tail termination
- Metal shell provides EMI/RFI shielding, Plug shell indents provide grounding and additional mating retention
- Grounding features include two-prong boardlock for exceptional retention to PC Board
- Mounting options for panel mount or connector mating include through-hole, threaded inserts boardlocks and removeable or fixed threaded standoffs
- D-shaped connector mating outline provides polarization design based on requirements of MIL-C-24308, EIA RS-232, and RS-449

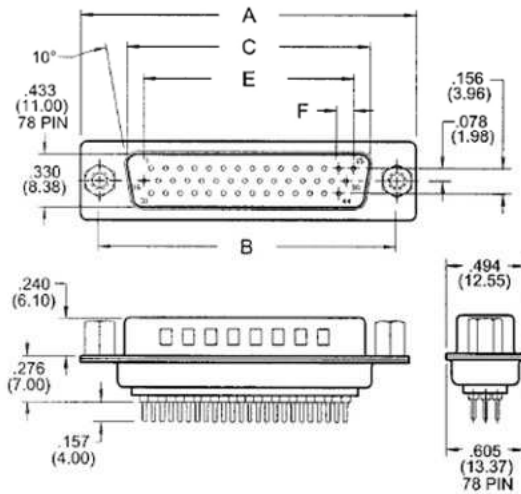
SPECIFICATIONS

- Insulator Material: Thermoplastic polyester, UL 94V-0; chemical resistant; colour - black
- Ferrite Specifications: Attenuation - 20dB MIN @ 30Mhz, 30dB MIN @ 50Mhz and 50dB MIN @ 100 Mhz
- Contact Material: Plug- brass; receptacle contacts phosphor bronze
- Contact Plating: Gold over nickel for the mating area, tin plating on contact tails
- Shell Material: Nickel plated steel, (tin optional)
- Current Rating: 5 amperes
- Contact Resistance: 10 milliohms maximum
- Dielectric Withstanding Voltage: 1000 V AC rms at sea level
- Insulation Resistance: 5000 megohms minimum
- Operating Temperature: -55 to + 105 degrees C
- Engagement and Separation Force: 1 to 10 oz (0.28 to 2.78 N) per contact position

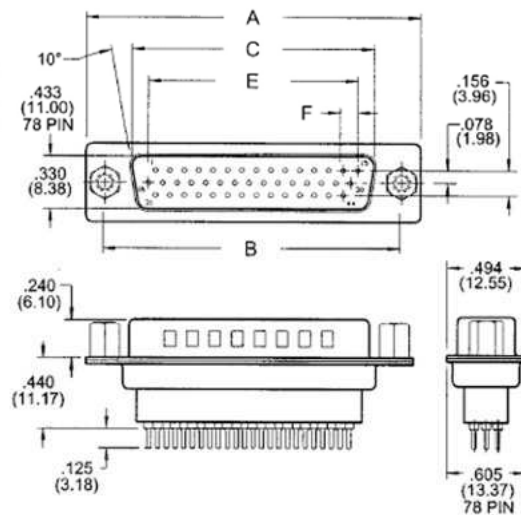
Series	
637	Plug
638	Receptacle
<hr/>	
Total Contacts	015, 026, 044, 062, 078
<hr/>	
Plating Code	
2	Gold Flash (Class 3)
3	15u" (0.38um) (Class 2)
6	30u" (0.76um) (Class 1)
<hr/>	
Contact Code	
30	Low Profile PC tails, .157" (4.00mm)
31	High Profile PC tails, .169" (4.30mm)
22/32	Solder Cup
<hr/>	
Material Code	
0	Indicates Generic Internal Use Code
<hr/>	
Body Style	
Description	
4	Metal covered .276" (7.00mm) low profile
5	Metal covered .472" (12.00mm) high profile (15-26-pin)
<hr/>	
Mounting Option	
1	.125" (3.18mm) dia. through-hole
2	#4-40 UNC threaded inserts
3	#4-40 UNC threaded standoffs
6	#4-40 UNC threaded insert w/ boardlocks
7	#4-40 UNC threaded standoff w/ boardlocks
8	#4-40 UNC threaded fixed standoffs

PLUG 637 SERIES

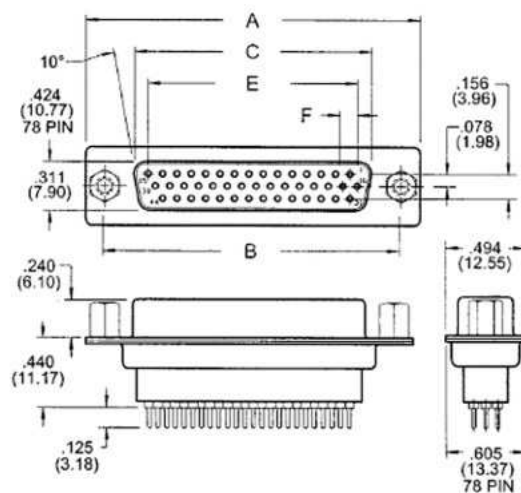
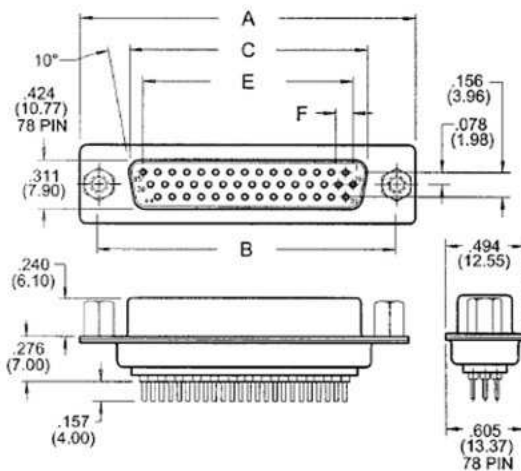
LOW PROFILE



HIGH PROFILE



RECEPTACLE 638 SERIES



NUMBER OF CONTACTS	A		B		C PLUG		C RECEPTACLE		E		F	
	Inch	(mm)	Inch	(mm)	Inch	(mm)	Inch	(mm)	Inch	(mm)	Inch	(mm)
15	1.214	(30.84)	.984	(24.99)	.667	(16.92)	.640	(16.26)	.405	(10.29)	.090	(2.29)
26	1.545	(39.24)	1.312	(33.32)	.994	(25.25)	.967	(24.56)	.765	(19.43)	.090	(2.29)
44	2.088	(53.04)	1.852	(47.04)	1.534	(38.96)	1.508	(38.30)	1.305	(33.15)	.090	(2.29)
62	2.730	(69.34)	2.500	(63.50)	2.182	(55.42)	2.156	(54.76)	1.947	(49.45)	.095	(2.41)
78	2.635	(66.93)	2.406	(61.11)	2.090	(53.08)	2.064	(52.43)	1.805	(45.85)	.095	(2.41)