



SERIES 661/662/663/664



FEATURES

Two contact rows per connector with right angle bend

Plug and receptacle in 9-, 15-, 35-, or 37-pin contact sizes

Pin and socket contact mating design with PC Tail termination

Metal Shell Provides EMI/RFI Shielding. Plug Shell Indents Provide Grounding and Additional Mating Retention

Grounding Features Include two-prong boardlock for Exceptional Retention to PC Board

Mounting options for panel mount or connector mating include through hole, threaded inserts and threaded standoffs

D-shaped connector mating outline provides polarization
Design based on requirements of MIL-C-24308, EIA RS-232 and RS-449

SPECIFICATIONS

Insulator Material: Thermoplastic polyester UL 94V-0; chemical resistant; colour - black

Ferrite Specifications: Attenuation - 20db MIN @ 30Mhz, 30dB MIN @ 50MHz, and 50dB @ 100Mhz

Contact Material: Plug contacts- brass
Receptacle contacts - phosphor bronze

Contact Plating: Gold (see Ordering Code) over nickel for the mating area; tin plating on contact tails

Shell Material: Tin-plated steel

Current Rating: 5 amperes

Contact Resistance: 10 milliohms maximum

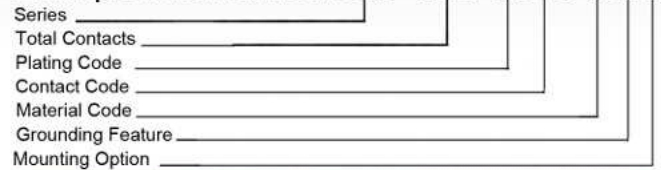
Dielectric Withstanding Voltage: 1000 V AC rms @ sea level

Insulation Resistance: 5000 megohm minimum

Operating Temperature: -55 to + 105 degrees C

Engagement and Separation Force: 1 to 10 oz (0.28 to 2.78 N) per contact position

Example Part Number 661 - 025 - 2 64 - 0 1 3



Series	Description
661	Plug over plug
662	Receptacle over receptacle
663	Plug over receptacle
664	Receptacle over plug

Total Contacts	009, 015, 025, 037, 050
-----------------------	-------------------------

Plating Code	Description
2	Gold Flash (Class 3)
3	15u" (0.38um) (Class 2)
6	30u" (0.76um) (Class 1)

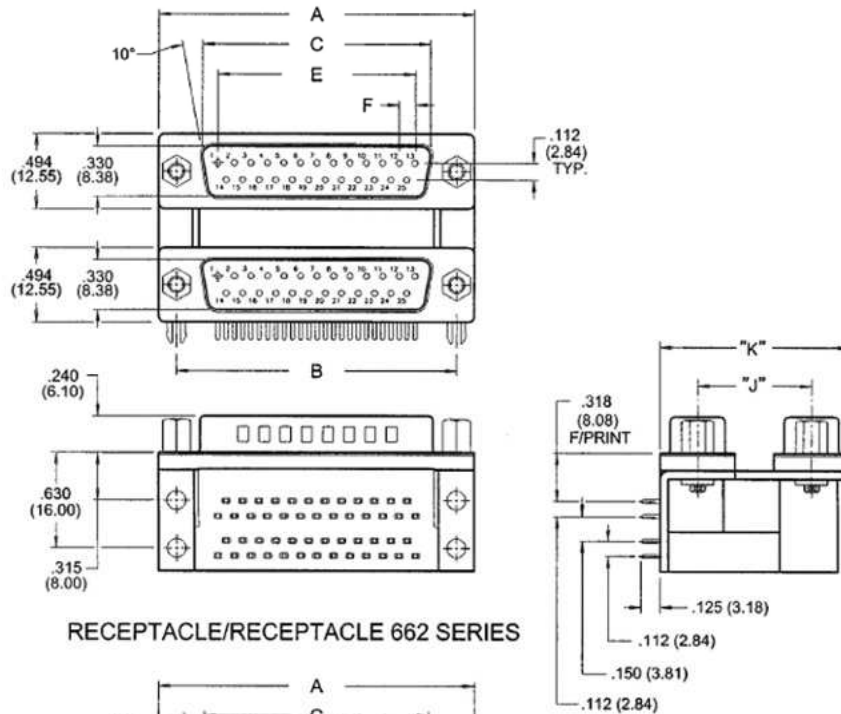
Contact Code	Description
64	Regular density connectors
67	25-pin female/SCSI II 50 female
68	Ferrite filter (9- and 25-pin only)
69	Any high-density connector combination

Material Code	Description
0	.150" (3.81mm) between upper/lower contact rows
0	.160" (4.06mm) between upper/lower contacts rows

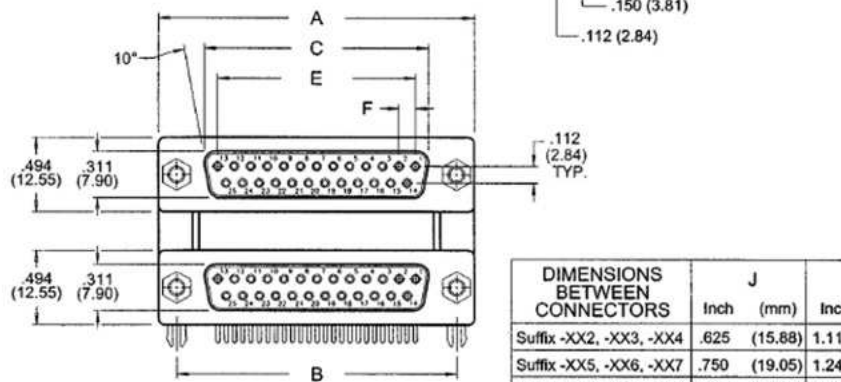
Grounding Feature	Description
1	.125" (3.18mm) (dia. through-hole
3	Two-prong boardlocks for PCB hole
5	#4-40 UNC threaded mounting hole
7	Rear only two-prong boardlocks

Mounting Option	Description
2	.625" (15.88mm) #4-40 unified threaded insert
3	.625" (15.88mm) #4-40 unified threaded hex standoff
4	.625" (15.88mm) .125" clear hole insert
5	.750" (19.05mm) #4-40 unified threaded insert
6	.750" (19.05mm) #4-40 unified threaded hex standoff
7	.750" (19.05mm) .125" clear hole insert
8	.900" (22.86mm) #4-40 unified threaded insert
9	.900" (22.86mm) #4-40 unified threaded hex standoff
0	.900" (22.86mm) .125" clear hole insert

PLUG/PLUG 661 SERIES



RECEPTACLE/RECEPTACLE 662 SERIES



DIMENSIONS BETWEEN CONNECTORS	J		K	
	Inch	(mm)	Inch	(mm)
Suffix -XX2, -XX3, -XX4	.625	(15.88)	1.119	(28.42)
Suffix -XX5, -XX6, -XX7	.750	(19.05)	1.244	(31.60)
Suffix -XX8, -XX9, -XX0	.900	(22.86)	1.394	(35.41)

NUMBER OF CONTACTS	A		B		C PLUG		C RECEPTACLE		E		F	
	Inch	(mm)	Inch	(mm)	Inch	(mm)	Inch	(mm)	Inch	(mm)	Inch	(mm)
9	1.214	(30.84)	.984	(24.99)	.667	(16.92)	.640	(16.26)	.432	(10.97)	.108	(2.74)
15	1.545	(39.24)	1.312	(33.32)	.994	(25.25)	.967	(24.56)	.756	(19.20)	.108	(2.74)
25	2.088	(53.04)	1.852	(47.04)	1.534	(38.96)	1.508	(38.30)	1.304	(33.12)	.109	(2.76)
37	2.730	(69.34)	2.500	(63.50)	2.182	(55.42)	2.156	(54.76)	1.956	(49.68)	.109	(2.76)